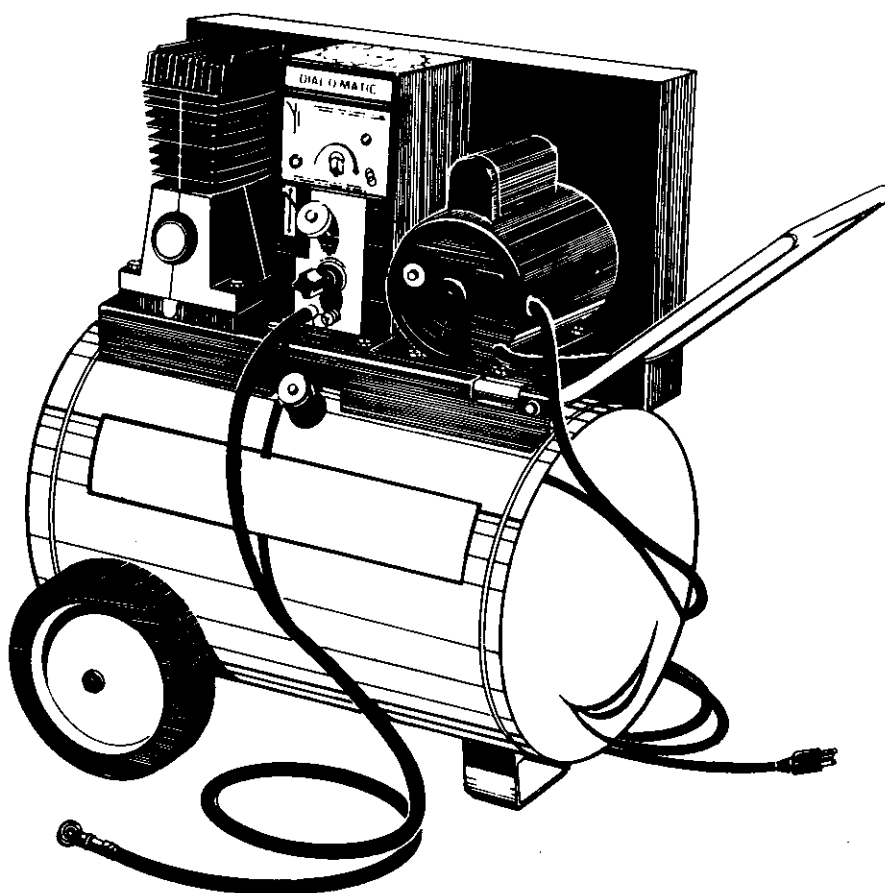

AIR COMPRESSOR PARTS MANUAL

PORTABLE

**TWIN CYLINDER ELECTRIC
130 PUMP 2 HORSEPOWER**

104B200 SERIES



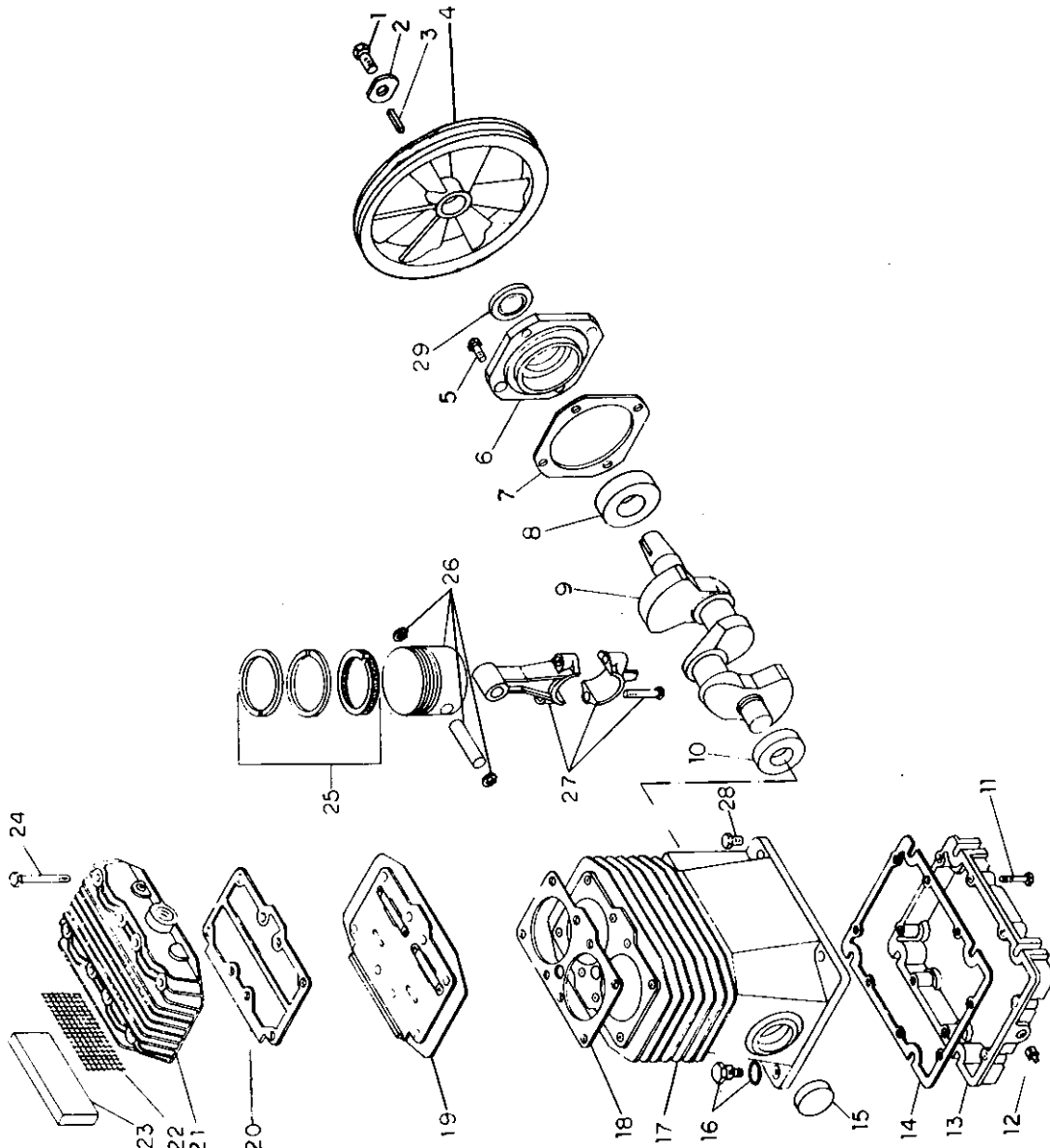
CAUTION:

Read the operator's manual carefully before attempting to operate or service this unit! FAILURE TO COMPLY WITH INSTRUCTIONS COULD RESULT IN: VOIDING OF YOUR WARRANTY, PERSONAL INJURY AND/OR PROPERTY DAMAGE! These Air Compressors are precision built from the finest materials and with proper care and maintenance will perform efficiently.

130 Pump Parts Breakdown

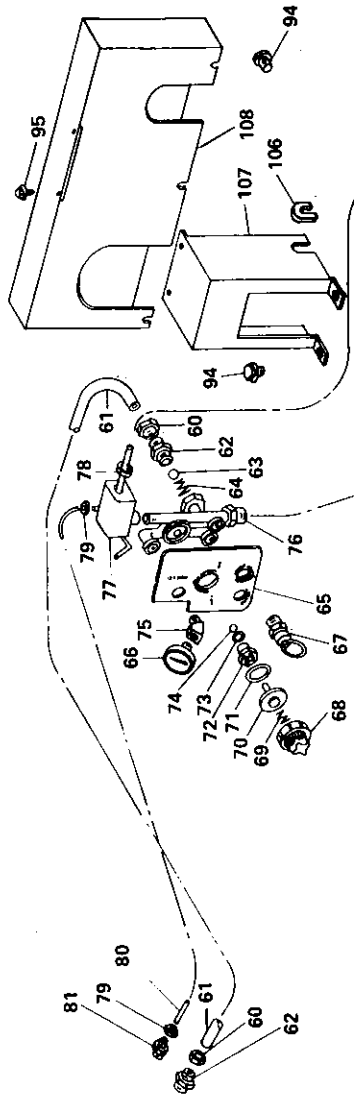
COMPRESSOR PUMP REPLACEMENT PARTS			
ITEM	PART NO.	DESCRIPTION	QTY.
1	059-0002	Bolt $\frac{9}{16}$ " NC x 1" long	1
2	060-0053	Flywheel washer	1
3	146-0001	Key $\frac{3}{16}$ " SQ x 1" long	1
4	044-0039	Flywheel 12" O.D. A-width	1
5	059-0143	Bolt $\frac{9}{16}$ " NC x $\frac{7}{8}$ " long	4
6	045-0043	Bearing carrier	1
7	046-0149	Bearing carrier gasket	1
8	051-0043	Open bearing	1
9	053-0041	Crankshaft	1
10	051-0013	Open bearing	1
11	059-0145	Bolt $\frac{1}{4}$ " NC x $1\frac{1}{4}$ " long	8
12	062-0002	Pipe plug $\frac{1}{8}$ " NPT	1
13	077-0065	Crankcase base	1
14	046-0150	Crankcase base gasket	1
15	062-0043	Expansion plug, $1\frac{3}{4}$ " diameter	1
16	056-0019	Dipstick	1
17	049-0035	Crankcase	1
18	046-0152	Cylinder gasket	1
19	043-0142	Valve plate assembly (includes item #'s 18 & 20)	1
20	046-0151	Head gasket	1
21	042-0068	Head	1
22	118-0023	Filter screen	1
23	019-0052	Inlet filter	1
24	059-0144	Bolt $\frac{9}{16}$ " x $2\frac{1}{2}$ " long	8
25	054-0112	Complete ring set	1
26	048-0050	Piston assembly	1
27	047-0069	Connecting rod	2
28	059-0146	Bolt $\frac{9}{16}$ " NC x $2\frac{1}{2}$ " long	4
29	046-0161	Oil seal	1

ASSEMBLIES - KITS - SETS	
PART NO.	DESCRIPTION
040-0067	Complete pump assembly model 130
165-0050	Complete overhaul kit (includes ring and gasket sets, valve plate assembly and filter element).
046-0159	Complete gasket set



104B200 Series Tank Parts Breakdown

DIAL METER MOUNTING REPLACEMENT PARTS			
ITEM	PART NO.	DESCRIPTION	QTY.
60	058-0007	3/8" compression nut & sleeve	2
61	145-0004	Transfer tube 3/8" O.D.	1
62	068-0008	Male connector 1/2" NPT x 3/8" O.D. tube	2
63	079-0002	Ball seat	1
64	055-0007	Spring	1
65	106-0001	Face plate	1
66	032-0001	Gauge, 150 PSI	2
67	136-0036	135 lb. Non-Code pressure relief valve (domestic models)	1
67	136-0037	135 lb. ASME pressure relief valve (certified domestic models)	1
67	136-0024	110 lb. ASME pressure relief valve (CSA models)	1
68	137-0001	Knob assembly	1
69	055-0005	Regulator spring	1
70	078-0001	Regulator piston	1
71	054-0007	O-ring	1
72	105-0002	Guide	1
73	054-0040	O-ring	1
74	079-0005	1/4" ball	1
75	064-0028	1/8" NPT 45° brass street elbow	1
76	041-0003	Manifold	1
77	034-0038	Pressure switch (domestic)	1
77	034-0025	Pressure switch (LA)	1
77	034-0015	Pressure switch (CSA)	1
78	093-0001	Rubber grommet	1
78	071-0002	Strain relief connector (CSA, LA)	1
79	058-0017	Bleeder tube, 1/4" O.D.	2
80	145-0008	Male connector 1/2" NPT x 3/8" O.D. tube	1
81	068-0002	O.D. tube	1



TANK ASSEMBLY REPLACEMENT PARTS			
ITEM	PART NO.	DESCRIPTION	QTY.
90	033-0001	Hub cap 1/2"	2
90	033-0002	Hub cap 3/4"	2
91	095-0010	(20, 22 & 30 gallon models) Wheel 8" x 1.75"	2
91	095-0011	(10 & 14 gallon models) Wheel 10" x 1.75"	2
92	114-0006	Belt guard bracket	1
93	114-0005	Hose bracket	1
94	059-0012	Lock bolt 3/16" - 18 x 1/2" long	11
95	061-0005	No. 10 sheet metal screw	3
96	127-0019	10 gallon portable receiver	1
96	128-0015	14 gallon portable receiver	1
96	152-0008	20 gallon ASME portable receiver	1
96	130-0014	22 gallon portable receiver	1
96	131-0009	30 gallon portable receiver	1
96	153-0012	30 gallon ASME portable receiver	1
97	112-0002	Handle	1
98	160-0009	2 H.P. motor	1
99	071-0002	Strain relief connector	1
100	026-0006	Power cord 1/2" x 6' long	1
100	026-0038	Power cord 1/2" x 6' long	1
101	026-0013	Power cord 1/2" x 6' long	1
102	006-0069	230 volt, 15 amp (CSA) Interconnecting cord 1/2" x 34"	1
103	146-0001	Pulley 2 1/2" O.D. A-width	1
104	081-0006	Key 3/16" x 1" long	1
105	007-0012	Set screw 3/16" - 18 x 3/16"	1
106	093-0012	Grommet strip	3
107	117-0002	Manifold cover	1
108	142-0003	Belt guard (domestic)	1
108	142-0012	Belt guard (CSA, LA)	1
109	094-0002	Vibration isolator	1
110	072-0001	1/4" Patcock (receiver drain)	1

MISCELLANEOUS PARTS	
PART NO.	DESCRIPTION
012-0004	Hose 3/8" x 15'
038-0002	Air chuck
018-0007	Air compressor oil, SAE 30, 1 qt.
018-0008	Air compressor oil, SAE 10, 1 qt.

