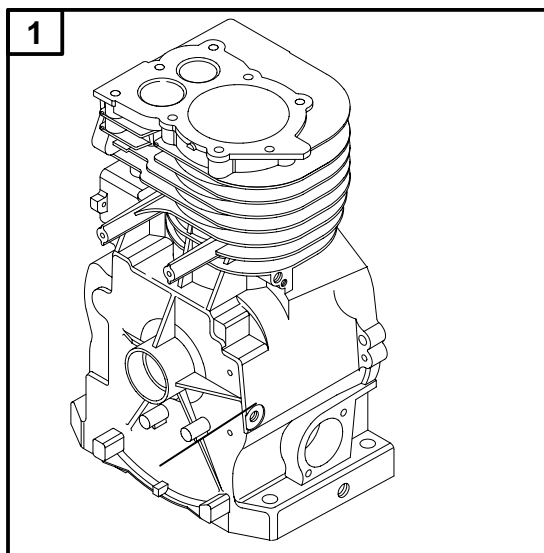


135200 to 135299

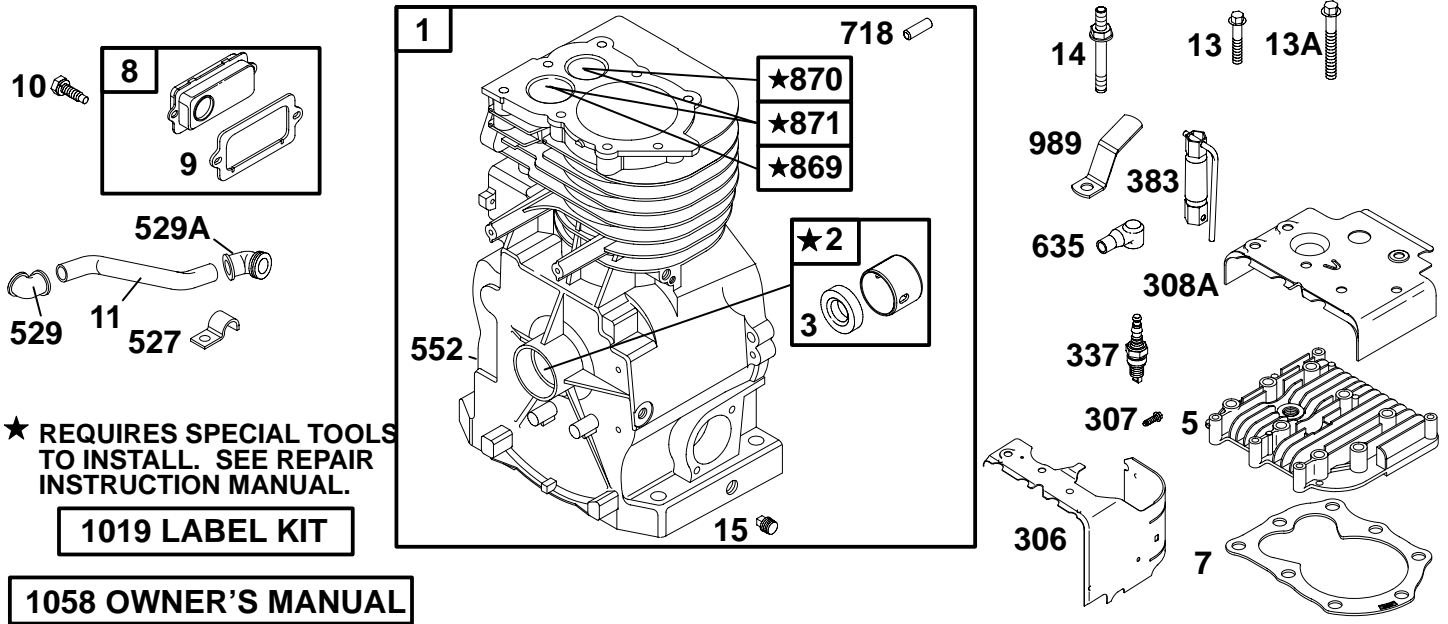


REF. NO.	PART NO.	DESCRIPTION	REF. NO.	PART NO.	DESCRIPTION	REF. NO.	PART NO.	DESCRIPTION
1	497144	Cylinder Assembly Note 494955 Cylinder Assembly Used on Type No(s). 0011, 0013, 0022, 0025, 0026, 0059, 0072, 0075, 0080, 0082, 0083, 0084, 0093, 0115, 0121,		0126, 0138, 0157, 0162, 0163, 0164, 0166, 0168, 0181, 0205, 0215, 0225, 0226, 0236, 0241, 0244, 0247, 0248, 0251, 0252, 0256, 0259, 0264, 0277, 0291, 0292, 0297, 0299, 0312, 0314,			0327, 0611, 0625, 0626, 0752, 0757, 0762, 0791, 1011, 1012, 1025, 1026, 1072, 1075, 1080, 1084, 1093, 1115, 1157, 1215, 1252, 1291, 1292, 1312, 1314, 1327, 1328, 1333, 1337, 1340.	

★ Included in Engine Gasket Set—Ref. 358.
 ● Included in Carburetor Overhaul Kit—Ref. 121.

∅ Included in Valve Gasket Set—Ref. 1095.

135200 to 135299



★ REQUIRES SPECIAL TOOLS TO INSTALL. SEE REPAIR INSTRUCTION MANUAL.

1019 LABEL KIT

1058 OWNER'S MANUAL

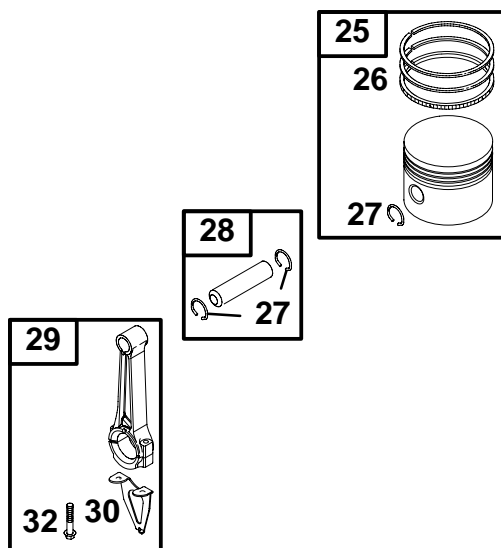
REF. NO.	PART NO.	DESCRIPTION	REF. NO.	PART NO.	DESCRIPTION	REF. NO.	PART NO.	DESCRIPTION
1		Cylinder Assembly (See previous page)	13	691640	Screw (Cylinder Head)	529A	692187	Grommet (120 Degree)
2	399269	Kit-Bushing/Seal (Magneto Side) (Used After Code Date 94012300).	13A	691659	Screw (Cylinder Head)	552	690508	Bushing-Governor Crank
		Note — 297565 Kit-Bushing/ Seal (Magneto Side) (Used Before Code Date 94012400).	14	691690	Stud (Cylinder Head)	635	66538	Boot-Spark Plug
3	*299819	Seal-Oil (Magneto Side)	15	691686	Plug-Oil Drain (Standard)	718	690959	Pin-Locating
5	691716	Head-Cylinder	306	694514	Shield-Cylinder	869	691705	Seat-Valve (Intake)
7	*Ø272157	Gasket-Cylinder Head	307	691660	Screw (Cylinder Shield)	870	691701	Seat-Valve (Exhaust)
8	495774	Breather Assembly	308A	690473	Cover-Cylinder Head (Full)	871	262001	Bushing-Valve Guide (Exhaust)
9	*Ø27549	Gasket-Breather	337	492167	Plug-Spark			Note — 63709 Bushing-Valve Guide (Intake)
10	691666	Screw (Breather Assembly)			Note — 802592 Plug-Spark (Resistor Type)	989	221828	Stopswitch-Spark Plug Used on Type No(s). 1011, 1012.
11	231550	Tube-Breather	383	89838	Wrench-Spark Plug	1019	491100	Kit-Label
		Note — 230722 Tube-Breather Used on Type No(s). 0299.	527	691741	Clamp-Tube	1058	274266	Owner's Manual
		690517 Tube-Breather Used on Type No(s). 1011, 1012.			Note — 221514 Clamp-Tube Used on Type No(s). 0299, 1011, 1012.			
			529	692189	Grommet (90 Degree)			

★ Included in Engine Gasket Set-Ref. 358.

● Included in Carburetor Overhaul Kit-Ref. 121.

Ø Included in Valve Gasket Set-Ref. 1095.

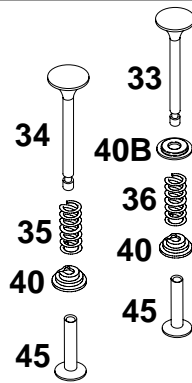
135200 to 135299



REF. NO.	PART NO.	DESCRIPTION	REF. NO.	PART NO.	DESCRIPTION	REF. NO.	PART NO.	DESCRIPTION
25	692983	Piston Assembly (Standard) (Used After Code Date 99011100). ———— Note ——— 298904 Piston Assembly (Standard) (Used Before Code Date 99011200). ———— 498669 Piston Assembly (.010" Oversize) (Used After Code Date 99011100). 298905 Piston Assembly (.010" Oversize) (Used Before Code Date 99011200). ———— 498670 Piston Assembly (.020" Oversize) (Used After Code Date 99011100). 298906 Piston Assembly (.020" Oversize) (Used Before Code Date 99011200).			498671 Piston Assembly (.030" Oversize) (Used After Code Date 99011100). 298907 Piston Assembly (.030" Oversize) (Used Before Code Date 99011200). ———— 26 498680 Ring Set (Standard) (Used After Code Date 99011100). ———— Note ——— 298982 Ring Set (Standard) (Used Before Code Date 99011200). ———— 498681 Ring Set (.010" Oversize) (Used After Code Date 99011100). 298983 Ring Set (.010" Oversize) (Used Before Code Date 99011200). ———— 498682 Ring Set (.020" Oversize) (Used After Code Date 99011100).			298984 Ring Set (.020" Oversize) (Used Before Code Date 99011200). ———— 498683 Ring Set (.030" Oversize) (Used After Code Date 99011100). 298985 Ring Set (.030" Oversize) (Used Before Code Date 99011200). 27 691588 Lock-Piston Pin 28 691239 Pin-Piston (Standard) ———— Note ——— 298908 Pin-Piston (.005" Oversize) 29 299430 Rod-Connecting ———— Note ——— 390459 Rod-Connecting (.020" Undersize) 30 691759 Dipper-Connecting Rod 32 691664 Screw (Connecting Rod)

★ Included in Engine Gasket Set-Ref. 358.
● Included in Carburetor Overhaul Kit-Ref. 121.

∅ Included in Valve Gasket Set-Ref. 1095.

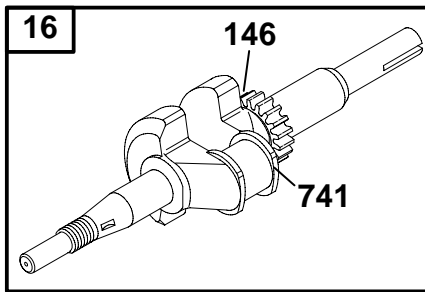


REF. NO.	PART NO.	DESCRIPTION	REF. NO.	PART NO.	DESCRIPTION	REF. NO.	PART NO.	DESCRIPTION
33	211119	Valve-Exhaust	36	692180	Spring-Valve (Exhaust)	40	692194	Retainer-Valve
34	261044	Valve-Intake				40B	691760	Retainer-Valve (Exhaust)
35	690520	Spring-Valve (Intake)				45	690509	Tappet-Valve

★ Included in Engine Gasket Set-Ref. 358.
 ● Included in Carburetor Overhaul Kit-Ref. 121.

∅ Included in Valve Gasket Set-Ref. 1095.

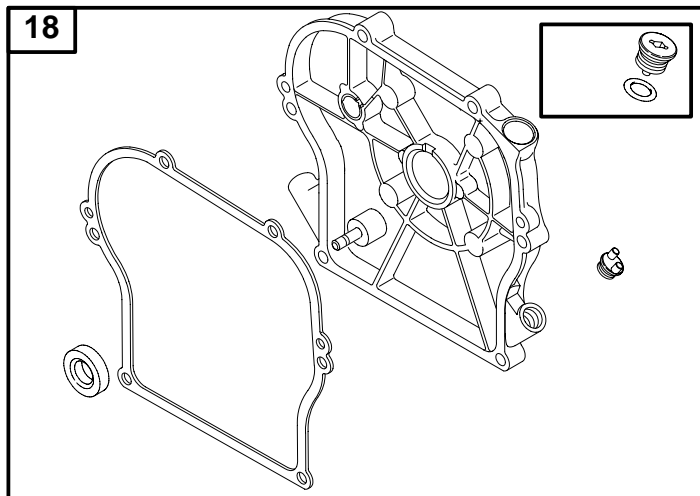
135200 to 135299



REF. NO.	PART NO.	DESCRIPTION	REF. NO.	PART NO.	DESCRIPTION	REF. NO.	PART NO.	DESCRIPTION			
16	492088	Crankshaft Note 397095 Crankshaft Used on Type No(s). 0049, 0107, 0155, 0215, 0243, 0277, 0649, 1049, 1215. 397103 Crankshaft Used on Type No(s). 0020, 0117, 0132, 0258, 0620, 0728, 0759, 1299, 1020, 1128, 1231, 1258, 1299. 494035 Crankshaft Used on Type No(s). 0026, 0115, 0129, 0151, 0160, 0162, 0163, 0164, 0166, 0199, 0211, 0244, 0252, 0292, 0297, 0327, 0626, 0729, 0752, 1327, 1026, 1115, 1129, 1160, 1252, 1292, 1340. 692140 Crankshaft Used on Type No(s). 1080, 1314. 495642 Crankshaft Used on Type No(s). 0080, 0314. 495643 Crankshaft Used on Type No(s). 0038, 0059, 0072, 0075, 0082, 0083, 0093, 0126, 0228, 0241, 0251, 0291, 0311, 0312, 0638, 0791, 1038, 1072, 1075, 1093, 1291, 1312.									
					495644 Crankshaft Used on Type No(s). 0035, 0084, 0131, 0247, 0301, 0326, 0635, 1035, 1084, 1301, 1326, 1328, 1333. 495645 Crankshaft Used on Type No(s). 0009, 0018, 0019, 0027, 0029, 0036, 0073, 0106, 0116, 0125, 0128, 0131, 0133, 0134, 0139, 0143, 0161, 0165, 0168, 0176, 0179, 0181, 0186, 0192, 0200, 0208, 0212, 0217, 0227, 0230, 0249, 0250, 0256, 0264, 0268, 0283, 0288, 0299, 0303, 0317, 0318, 0636, 0700, 0717, 0730, 0762, 0779, 0788, 1009, 1012, 1019, 1027, 1029, 1036, 1050, 1073, 1106, 1139, 1143, 1161, 1179, 1186, 1200, 1217, 1250, 1268, 1283, 1288, 1317, 1318. 495649 Crankshaft Used on Type No(s). 0003, 0007, 0060, 0144, 0146, 0148, 0152, 0167, 0171, 0177, 0178, 0183, 0188, 0189, 0190, 0191, 0196, 0197,						0213, 0240, 0255, 0272, 0273, 0289, 0300, 0305, 0603, 0607, 0660, 0767, 0790, 0815, 1003, 1007, 1060, 1146, 1167, 1171, 1190, 1197, 1289, 1330. 499764 Crankshaft Used on Type No(s). 0079, 0140, 0223, 0263, 0294, 0298, 0302, 0307, 0308, 0679, 0702, 0913, 1008, 1079, 1140, 1223, 1263, 1308, 1313. 499765 Crankshaft Used on Type No(s). 0014, 0253. 692142 Crankshaft Used on Type No(s). 0740, 0814, 1261.
						17	692007	Bearing—Ball			
						24	222698	Key—Flywheel			
						146	690979	Key—Timing (Used with Timing Gear 262992).			
								Note 499047 Key—Timing (Used with Timing Gear 261696)			
						357	692191	Key—Drive Pulley			
						357A	690339	Key—Drive Pulley (Woodruff)			
						741	691847	Gear—Timing (Uses Woodruff Key)			
								Note 261696 Gear—Timing (Uses Locating Pin)			

★ Included in Engine Gasket Set—Ref. 358.
● Included in Carburetor Overhaul Kit—Ref. 121.

∅ Included in Valve Gasket Set—Ref. 1095.



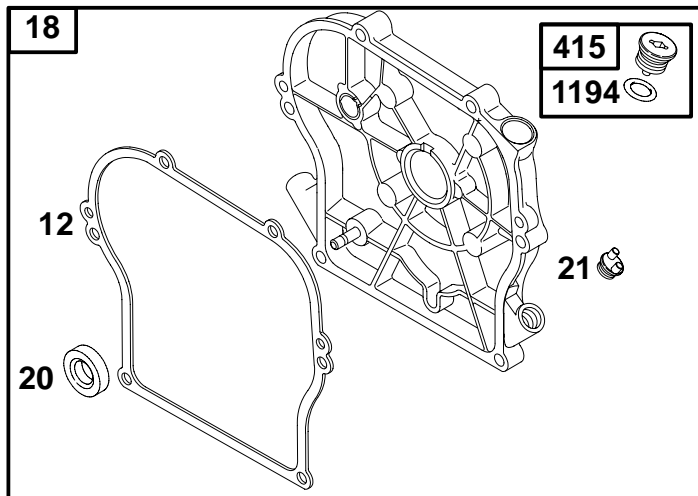
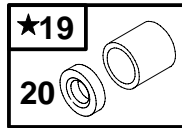
REF. NO.	PART NO.	DESCRIPTION	REF. NO.	PART NO.	DESCRIPTION	REF. NO.	PART NO.	DESCRIPTION
18	694377	Cover-Crankcase (Gear Reduction) Note 694375 Cover-Crankcase (Auxillary PTO) 694350 Cover-Crankcase (Plain Bearing) 694319 Cover-Crankcase (Ball Bearing)						

★ Included in Engine Gasket Set-Ref. 358.
● Included in Carburetor Overhaul Kit-Ref. 121.

∅ Included in Valve Gasket Set-Ref. 1095.

135200 to 135299

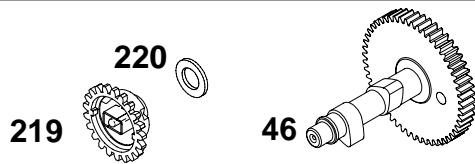
★ **REQUIRES SPECIAL TOOLS TO INSTALL. SEE REPAIR INSTRUCTION MANUAL.**



REF. NO.	PART NO.	DESCRIPTION	REF. NO.	PART NO.	DESCRIPTION	REF. NO.	PART NO.	DESCRIPTION
12	★692213	Gasket-Crankcase (Standard)		0293, 0295, 0304, 0306, 0309, 0310, 0315, 0316, 0320, 0324, 0603, 0611, 0615, 0616, 0620, 0625, 0670, 0671, 0704, 0706, 0727, 0728, 0757, 0758, 0759, 0780, 0784, 1003, 1004, 1005, 1011, 1016, 1020, 1025, 1070, 1071, 1105, 1119, 1127, 1128, 1142, 1153, 1154, 1157, 1158, 1159, 1169, 1171, 1180, 1194, 1231, 1232, 1238, 1245, 1258, 1259, 1260, 1261, 1263, 1271, 1276, 1281, 1284, 1289, 1299, 1304, 1310, 1315, 1320, 1324, 1329, 1336, 1337, 1338.		0232, 0236, 0254, 0260, 0265, 0269, 0295, 0309, 0310, 0320, 0324, 0611, 0670, 0671, 0728, 0757, 0758, 0780, 1011, 1070, 1071, 1128, 1154, 1157, 1158, 1169, 1173, 1180, 1194, 1232, 1260, 1261, 1265, 1309, 1310, 1320, 1324, 1336, 1337, 1338, 1343.		
		Note						
	★270125	Gasket-Crankcase (.005" Thick)						
	★270126	Gasket-Crankcase (.009" Thick)						
18		Cover-Crankcase (See Previous Page)						
19	495660	Kit-Bushing/Seal (PTO Side)						
20	★495307	Seal-Oil (PTO Side)						
		Note						
	294606	Seal-Oil (PTO Side)						
		Used on Type No(s). 0001, 0003, 0004, 0005, 0015, 0016, 0020, 0025, 0105, 0114, 0117, 0118, 0119, 0127, 0132, 0136, 0142, 0145, 0150, 0153, 0156, 0157, 0159, 0171, 0175, 0178, 0182, 0183, 0185, 0193, 0194, 0195, 0209, 0210, 0214, 0222, 0237, 0238, 0245, 0253, 0254, 0258, 0260, 0262, 0263, 0265, 0269, 0271, 0274, 0276, 0281, 0284, 0285, 0289,						
		691952 Seal-Oil (PTO Side)						
		Used on Type No(s). 0011, 0070, 0071, 0108, 0120, 0121, 0124, 0141, 0154, 0157, 0158, 0169, 0173, 0174, 0180, 0182, 0194, 0198, 0202, 0203, 0204, 0205, 0206, 0207, 0209, 0214, 0216,						
	21	281658 Cap-Oil Fill						
	22	691662 Screw (Crankcase Cover)						
	170	691120 Stud (Crankcase Cover, Install In #1 and/or #2 Positions)						
	415	691363 Plug (Crankcase Cover)						
	1194	★691876 Seal-O Ring (Plug)						

★ Included in Engine Gasket Set-Ref. 358.
● Included in Carburetor Overhaul Kit-Ref. 121.

∅ Included in Valve Gasket Set-Ref. 1095.



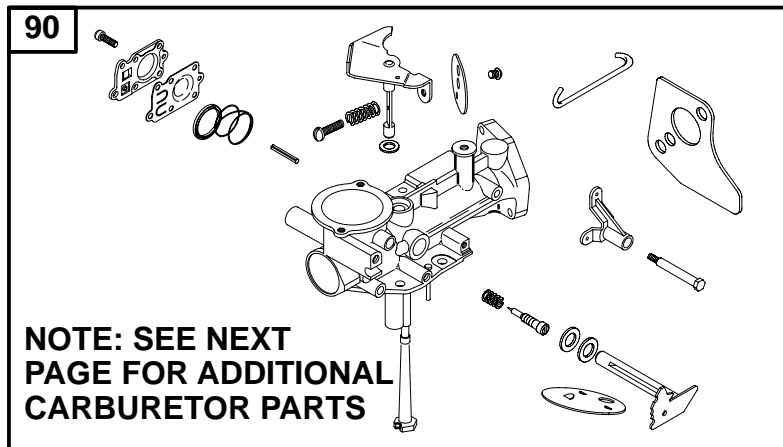
REF. NO.	PART NO.	DESCRIPTION	REF. NO.	PART NO.	DESCRIPTION	REF. NO.	PART NO.	DESCRIPTION		
46	691164	Camshaft (Used After Code Date 96112400). Note ——— 691166 Camshaft (Used After Code Date 96112400). Used on Type No(s). 0173, 0214, 0309, 0611, 0670, 0671, 0728, 0757, 0758, 0780, 1011, 1070, 1071, 1128, 1154, 1157, 1158, 1169, 1180, 1194, 1232, 1261, 1265, 1309, 1310, 1320, 1324, 1336, 1337, 1338, 1343. 691166 Camshaft (Used Before Code Date 96112500). Used on Type No(s). 0070, 0071, 0108, 0120, 0121, 0124, 0141, 0154, 0157, 0158, 0169, 0174, 0180, 0182, 0194, 0198, 0202, 0203, 0204, 0205, 0206, 0207, 0209, 0216, 0232, 0236, 0254, 0260, 0265, 0269, 0295, 0309, 0310, 0320, 0322, 0324, 0611, 0670, 0671, 0757, 0758, 0780. 692526 Camshaft (Used Before Code Date 96112500). Used on Type No(s). 0173, 0214.	219	494845	Gear–Governor ———— Note ——— 391737 Gear– Governor (Used Before Code Date 91061000).	220	691724	Washer (Governor Gear)		

★ Included in Engine Gasket Set–Ref. 358.
● Included in Carburetor Overhaul Kit–Ref. 121.

∅ Included in Valve Gasket Set–Ref. 1095.

135200 to 135299

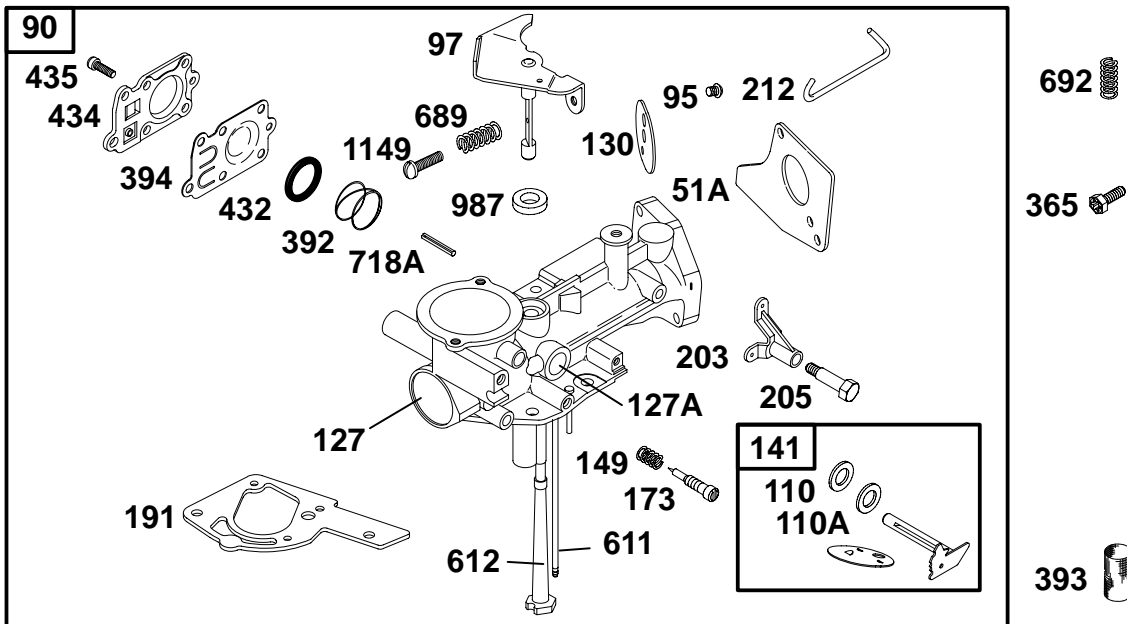
147 



REF. NO.	PART NO.	DESCRIPTION	REF. NO.	PART NO.	DESCRIPTION	REF. NO.	PART NO.	DESCRIPTION
90	498298	Carburetor <u> Note </u> 495951 Carburetor Used on Type No(s). 0185, 0263. 495425 Carburetor Used on Type No(s). 0214. 498298 Carburetor Used on Type No(s). 0309, 0603, 0607, 0611, 0615, 0616, 0620, 0623, 0625, 0626, 0635, 0636, 0638, 0649, 0660, 0670, 0671, 0679, 0700, 0702, 0704, 0717, 0706, 0727, 0728, 0729, 0730, 0740, 0747, 0752, 0757, 0758, 0759, 0762, 0767, 0772, 0779, 0780, 0784, 0788, 0790, 0814, 0815, 0913, 1003, 1004, 1005, 1007, 1008, 1009, 1011, 1019, 1020, 1023, 1025, 1027, 1029, 1035, 1036, 1049, 1050, 1060, 1070, 1071, 1073, 1079, 1080, 1084, 1105, 1106, 1119, 1127, 1128, 1129, 1139, 1140, 1142, 1143, 1146, 1147, 1153, 1154, 1157, 1158,			1159, 1161, 1167, 1169, 1171, 1173, 1179, 1180, 1190, 1194, 1196, 1197, 1200, 1215, 1216, 1217, 1219, 1223, 1231, 1232, 1238, 1242, 1245, 1246, 1250, 1258, 1259, 1261, 1268, 1271, 1276, 1281, 1283, 1284, 1288, 1289, 1289, 1299, 1301, 1304, 1308, 1310, 1313, 1314, 1315, 1317, 1318, 1320, 1324, 1326, 1328, 1329, 1330, 1333, 1336, 1337, 1338, 1340, 1342, 1343, 1345.			0788, 0790, 0814, 0815, 0913, 1003, 1004, 1005, 1007, 1008, 1009, 1011, 1019, 1020, 1023, 1025, 1027, 1029, 1035, 1036, 1049, 1050, 1060, 1070, 1071, 1073, 1079, 1080, 1084, 1105, 1106, 1119, 1127, 1128, 1129, 1139, 1140, 1142, 1143, 1146, 1147, 1153, 1154, 1157, 1158,
			147	691250	Jet-Pilot (Standard) Used on Type No(s). 0309, 0603, 0607, 0611, 0615, 0616, 0620, 0623, 0625, 0626, 0635, 0636, 0638, 0649, 0660, 0670, 0671, 0679, 0700, 0702, 0704, 0717, 0706, 0727, 0728, 0729, 0730, 0740, 0747, 0752, 0757, 0758, 0759, 0762, 0767, 0772, 0779, 0780, 0784,			1231, 1232, 1238, 1242, 1245, 1246, 1250, 1258, 1259, 1261, 1268, 1271, 1276, 1281, 1283, 1284, 1288, 1289, 1289, 1299, 1301, 1304, 1308, 1313, 1314, 1315, 1317, 1318, 1320, 1324, 1326, 1328, 1329, 1330, 1333, 1336, 1337, 1338, 1340, 1342, 1343. 692725 Jet-Pilot (High Altitude)

★ Included in Engine Gasket Set—Ref. 358.
 ● Included in Carburetor Overhaul Kit—Ref. 121.

∅ Included in Valve Gasket Set—Ref. 1095.

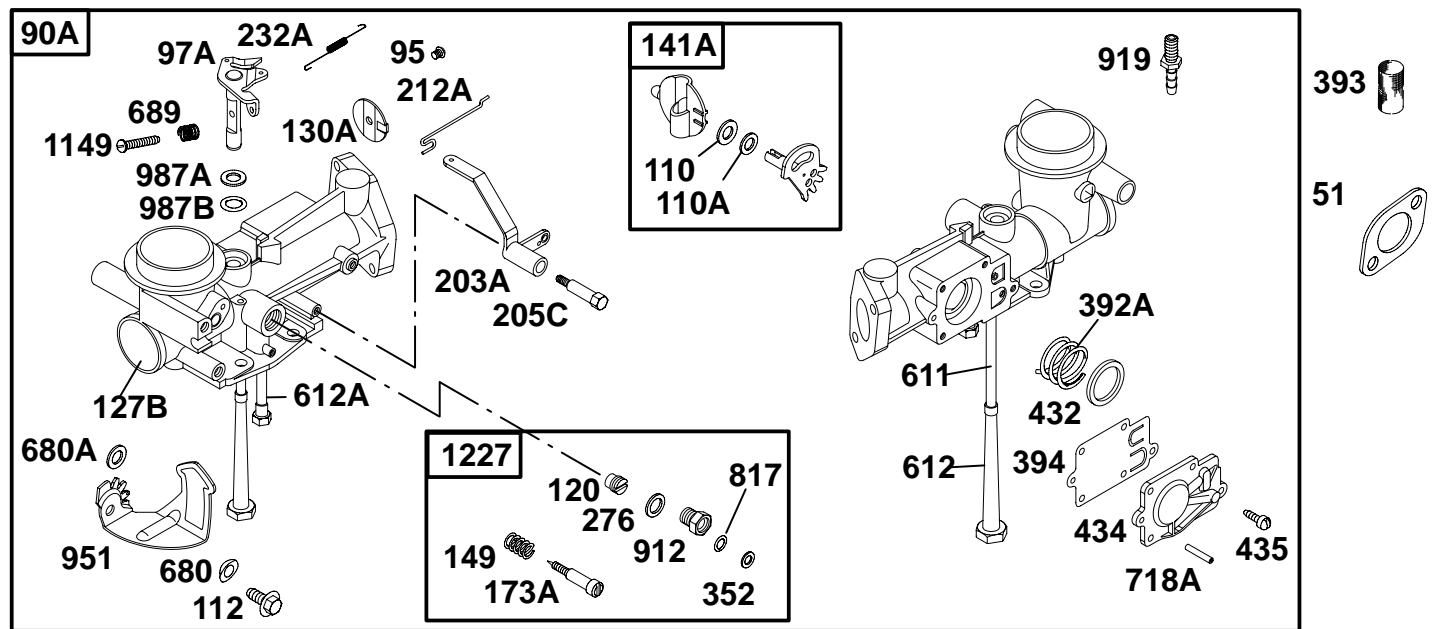


REF. NO.	PART NO.	DESCRIPTION	REF. NO.	PART NO.	DESCRIPTION	REF. NO.	PART NO.	DESCRIPTION
51A★	273113	Gasket—Intake Carburetor (See Previous Page)	149	691592	Spring—Needle Valve	612	391813	Tube—Pick Up (Uses Clip Spring)
90			173	691777	Valve—Idle Mixture (Idle)			Note
95	691437	Screw (Throttle Valve)	191	692241	Gasket—Fuel Tank	297219		Tube—Pick Up (Uses Spiral Pin)
97	692325	Shaft—Throttle	203	691906	Crank—Bell (Standard, Nylon)			Used on Type No(s). 0214.
110	691869	Washer (Choke Shaft) (Felt)	205	691776	Screw (Bell Crank)	689	691783	Spring—Friction (Idle Screw)
110A	690401	Washer (Choke Shaft) (Brass)	212	691812	Link—Throttle	692	690572	Spring—Detent (Used On Part 498298 Carburetor)
127	691718	Plug—Welch	365	690953	Screw (Carburetor)	718A	690296	Pin—Locating (Pump Cover)
127A	691742	Plug—Welch	392	691823	Spring—Pump Diaphragm	987	695273	Seal—Throttle Shaft (Foam)
130	691743	Valve—Throttle	393	691213	Screen—Carburetor	1149	691624	Screw (Throttle Shaft) (Idle Speed Adjusting Only)
141	497230	Kit—Choke Shaft (Used After Code Date 94083100). Note 491177 Kit—Choke Shaft (Used Before Code Date 94090100).	394	272538	Diaphragm—Carburetor			
			432	690766	Cap—Spring			
			434	691713	Cover—Diaphragm			
			435	691619	Screw (Diaphragm Cover)			
			611	691770	Pipe—Fuel			

★ Included in Engine Gasket Set—Ref. 358.
● Included in Carburetor Overhaul Kit—Ref. 121.

∅ Included in Valve Gasket Set—Ref. 1095.

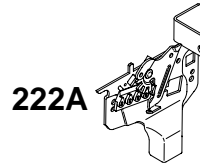
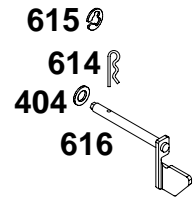
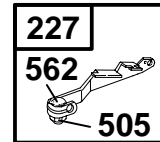
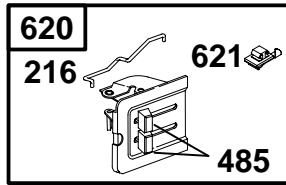
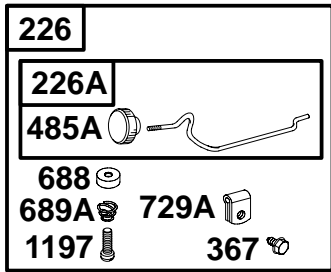
135200 to 135299



REF. NO.	PART NO.	DESCRIPTION	REF. NO.	PART NO.	DESCRIPTION	REF. NO.	PART NO.	DESCRIPTION
51	★27355	Gasket-Intake Used on Type No(s). 0299, 1101, 1012, 1309.	173A	●690266	Valve-Idle Mixture (Main)	680	691089	Washer (Choke Lever) (Spring)
90A	397135	Carburetor Used on Type No(s). 1011, 1012.	203A	691965	Crank-Bell (Steel, Long)	680A	691607	Washer (Choke Lever) (Flat)
	Note		205C	691630	Screw (Bell Crank)	689	691783	Spring-Friction (6 Coil, Closed Ends, Idle Screw)
		299437 Carburetor Used on Type No(s). 0299.	212A	691786	Link-Throttle Used on Type No(s). 0299, 1101, 1012, 1309.	718A	690296	Pin-Locating (Pump Cover)
		498298 Carburetor Used on Type No(s). 1309.	232A	690498	Spring-Governor Link Used on Type No(s). 0299, 1101, 1012, 1309.	817	●691606	Seal-O Ring (High Speed Valve)
95	691437	Screw (Throttle Valve)	276	●691608	Washer-Sealing	912	●690504	Nut-Needle Valve
97A	691946	Shaft-Throttle Used on Type No(s). 0299, 1101, 1012, 1309.	352	●690257	Washer (High Speed Valve)	919	692783	Connector-Vacuum Tube
110	691869	Washer (Choke Shaft) (Felt)	392A	692206	Spring-Pump Diaphragm Used on Type No(s). 0299, 1101, 1012, 1309.	951	691180	Lever-Choke
110A	690401	Washer (Choke Shaft) (Brass)	393	691213	Screen-Carburetor	987A	692279	Seal-Throttle Shaft (Felt)
112	691091	Screw (Choke Lever)	394	●272538	Diaphragm-Carburetor (Pump)		Note	270167 Seal-Throttle Shaft (Felt) Used on Type No(s). 0299.
120	●692134	Seat-Needle Valve	432	690766	Cap-Spring	987B	692001	Seal-Throttle Shaft (Lip Seal)
127B	691585	Plug-Welch	434	691713	Cover-Diaphragm	1149	691624	Screw (Throttle Shaft) (Idle Speed Adjusting Only)
130A	211203	Valve-Throttle	435	691619	Screw (Diaphragm Cover)	1227	●299060	Valve-High Speed
141A	397134	Kit-Choke Shaft	611	691770	Pipe-Fuel			
149	●691592	Spring-Needle Valve	612	391813	Tube-Pick Up (Uses Clip Spring)			
			612A	497413	Tube-Pick Up (Uses Spiral Pin)			

★ Included in Engine Gasket Set-Ref. 358.
● Included in Carburetor Overhaul Kit-Ref. 121.

∅ Included in Valve Gasket Set-Ref. 1095.

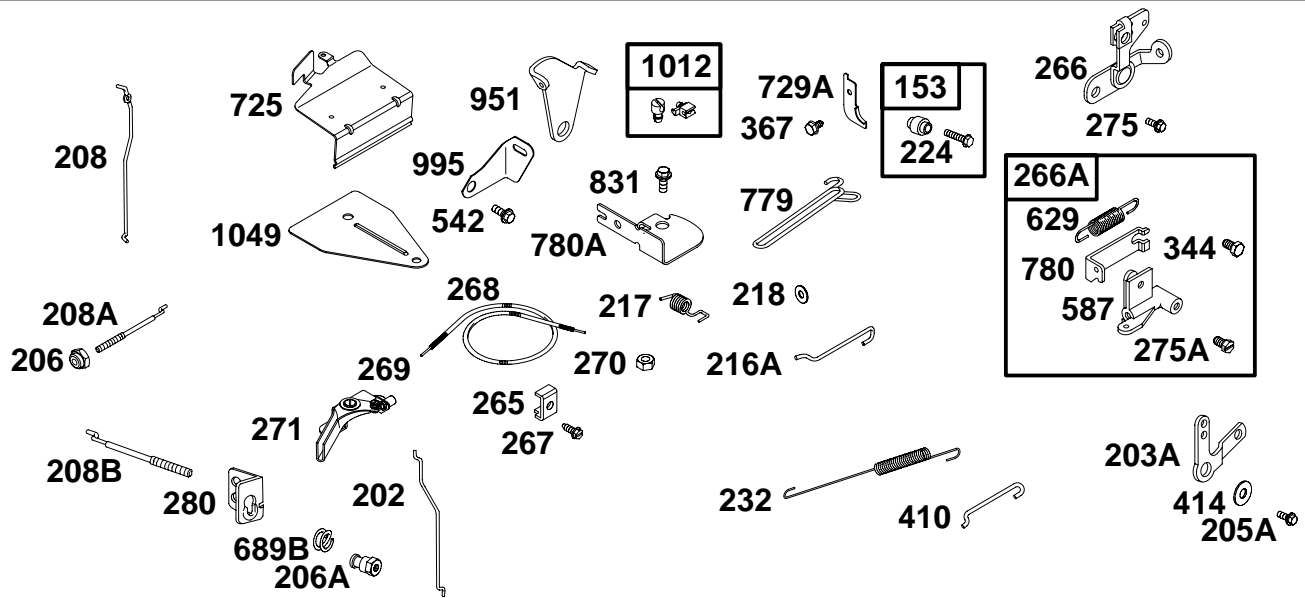


REF. NO.	PART NO.	DESCRIPTION	REF. NO.	PART NO.	DESCRIPTION	REF. NO.	PART NO.	DESCRIPTION
216	691824	Link-Choke (Manual)	367	94025	Screw (Wire Clip)	614	691620	Pin-Cotter
222A	690816	Bracket-Control (Gear and Rack) Used on Type No(s). 0214.	404	691691	Washer (Governor Crank)	615	93307	Retainer-E Ring
226	394562	Rod-Hand Choke (Kit)	485	692295	Knob-Control (Slide)	616	692016	Crank-Governor
226A	399109	Rod-Hand Choke (Rod Assembly)	485A	391908	Knob-Control	620	490649	Bracket-Control (Panel)
227	690653	Lever-Governor Control	505	691251	Nut (Governor Control Lever)	621	692310	Switch-Stop
		Note	562	691119	Bolt (Governor Control Lever) (Round)	688	690395	Cap-Friction
		692357 Lever-Governor Control Used on Type No(s). 0299, 1011, 1012.				689A	690529	Spring-Friction (Conical Spring, Hand Choke Control)
						729A	93784	Clip-Wire (Clamp, Steel)
						1197	92484	Screw (Hand Choke Rod)

★ Included in Engine Gasket Set-Ref. 358.
 ● Included in Carburetor Overhaul Kit-Ref. 121.

∅ Included in Valve Gasket Set-Ref. 1095.

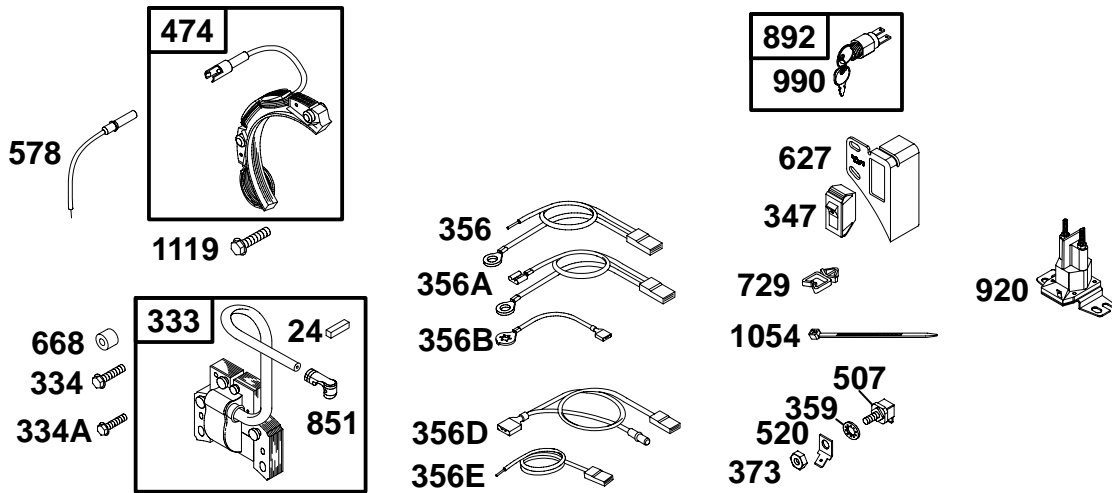
135200 to 135299



REF. NO.	PART NO.	DESCRIPTION	REF. NO.	PART NO.	DESCRIPTION	REF. NO.	PART NO.	DESCRIPTION
153	490589	Kit-Collar/Screw	218	691722	Washer (Choke Link)	367	691660	Screw (Wire Clip)
202	691814	Link-Mechanical Governor	224	690320	Screw (Collar/Screw Kit)	410	691274	Link-Control
	Note		232	691819	Spring-Governor Link	414	691721	Washer (Bell Crank)
	261558	Link-Mechanical Governor Used on Type No(s). 0299, 1011, 1012.	265	691024	Clamp-Casing	542	691683	Screw (Link Bracket)
203A	691744	Crank-Bell (Steel)	266	691414	Control-Throttle (Remote/Governor Idle)	587	690769	Clamp-Cable
205A	690320	Screw (Bell Crank)	266A	692316	Control-Throttle (Kit with Spring)	629	690457	Spring-Throttle Return
206	690325	Nut-Governor Adjusting (Governor Idle)	267	690804	Screw (Casing Clamp)	689B	692522	Spring-Friction (4 Coil, Closed Ends)
206A	691771	Nut-Governor Adjusting (Fixed Speed)	268	691072	Casing-Control Wire (Cut To Required Length)	725	690440	Shield-Heat (Fuel Tank)
208	691813	Rod-Governor Control (Non Threaded)	269	691589	Wire-Control (Cut To Required Length)	729A	690471	Clip-Wire (Steel)
208A	691820	Rod-Governor Control (Threaded) (Governor Idle Speed)	270	691027	Nut (Control Wire Casing)	779	691828	Link-Bell Crank
208B	691821	Rod-Governor Control (Fixed Speed)	271	691028	Lever-Control	780	690594	Anchor-Spring (Throttle Control)
216A	691271	Link-Choke (Choke A Matic)	275	691683	Screw (Throttle Control)	780A	691211	Anchor-Spring (Governor Idle)
217	691815	Spring-Choke Return	275A	691646	Screw (Throttle Control)	831	691683	Screw (Spring Anchor)
			280	691184	Bracket-Rod	951	690436	Lever-Choke (Choke A Matic)
			344	691645	Screw (Cable Clamp)	995	691756	Bracket-Link
						1012	490507	Retainer-Link
						1049	690470	Support-Control

★ Included in Engine Gasket Set-Ref. 358.
● Included in Carburetor Overhaul Kit-Ref. 121.

∅ Included in Valve Gasket Set-Ref. 1095.

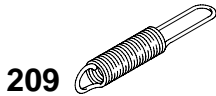


REF. NO.	PART NO.	DESCRIPTION	REF. NO.	PART NO.	DESCRIPTION	REF. NO.	PART NO.	DESCRIPTION
24	691732	Key-Flywheel	359	691077	Washer (Ground Terminal)	627	690474	Bracket-Stopswitch
333	397358	Armature-Magneto	373	691612	Nut (Ground Terminal)	668	690531	Spacer
334	690306	Screw (Magneto Armature)	474	494254	Alternator (Magneto Armature)	729	690588	Clip-Wire (Snap In, Nylon)
334A	691621	Screw (Magneto Armature)	507	691972	Insulator	851	493880	Terminal-Spark Plug
347	691995	Switch-Rocker	520	691084	Terminal-Ground	892	690646	Switch-Key
356	398808	Wire-Stop	578	692306	Wire Assembly	920	691656	Solenoid-Starter
356A	690650	Wire-Stop				990	691959	Key Set
356B	690817	Wire-Stop				1054	280275	Tie-Cable
356D	690818	Wire-Stop				1119	691183	Screw (Alternator)
356E	692390	Wire-Stop						

★ Included in Engine Gasket Set-Ref. 358.
 ● Included in Carburetor Overhaul Kit-Ref. 121.

∅ Included in Valve Gasket Set-Ref. 1095.

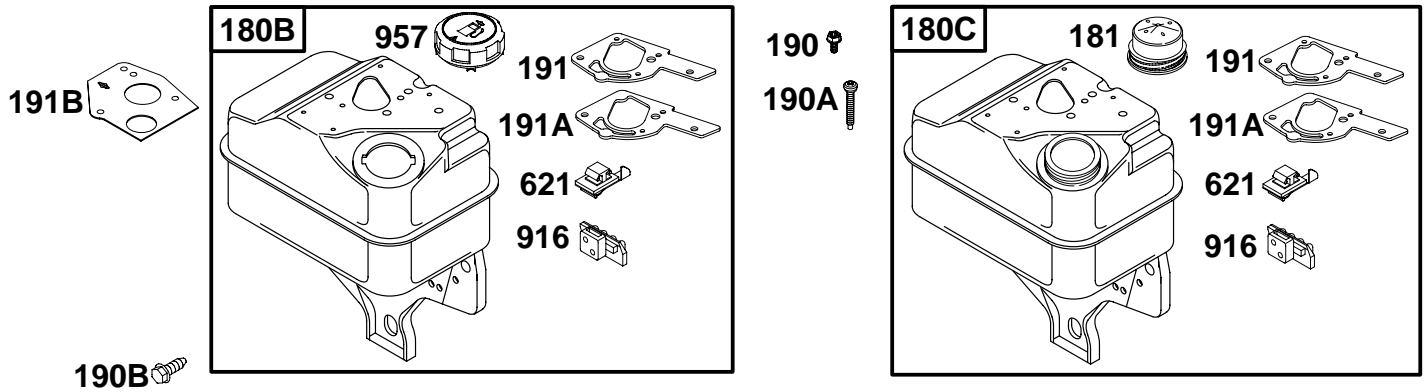
135200 to 135299



REF. NO.	PART NO.	DESCRIPTION	REF. NO.	PART NO.	DESCRIPTION	REF. NO.	PART NO.	DESCRIPTION
209	690376	Spring-Governor (Rich Red) Note 691816 Spring-Governor (Black) Used on Type No(s). 0004, 0016, 0020, 0027, 0029, 0119, 0124, 0127, 0141, 0142, 0143, 0176, 0177, 0185, 0189, 0195, 0203, 0209, 0217, 0232, 0240, 0242, 0254, 0260, 0262, 0263, 0265, 0268, 0276, 0281, 0309, 0315, 0324, 1003, 1035, 1080, 1084, 1155, 1171, 1246, 1283, 1326, 1328, 1333. 690549 Spring-Governor (Blue) Used on Type No(s). 0018, 0215, 0225, 0248, 0603, 0607, 0611, 0615, 0623, 0625, 0635, 0636, 0649, 0660, 0670, 0671, 0679, 0700, 0702, 0704, 0717, 0730, 0740, 0747, 0759, 0762, 0767, 0779, 0780, 0784, 0788, 0790, 0814, 0815, 0913, 1005,			1007, 1008, 1009, 1011, 1019, 1023, 1025, 1036, 1049, 1050, 1060, 1070, 1071, 1073, 1079, 1105, 1106, 1139, 1140, 1143, 1146, 1147, 1153, 1154, 1157, 1158, 1159, 1161, 1167, 1169, 1173, 1179, 1180, 1186, 1190, 1194, 1196, 1197, 1200, 1216, 1219, 1223, 1231, 1238, 1245, 1250, 1258, 1259, 1271, 1284, 1288, 1289, 1296, 1299, 1301, 1304, 1308, 1310, 1313, 1314, 1317, 1318, 1320, 1329, 1330. 691817 Spring-Governor (Green) Used on Type No(s). 0026, 0038, 0082, 0115, 0129, 0151, 0160, 0162, 0164, 0166, 0199, 0211, 0241, 0244, 0252, 0311, 0327, 0626, 0638, 0729, 0752, 0791, 1026, 1038, 1115, 1129, 1160, 1252, 1291, 1327, 1340.			690550 Spring-Governor (Yellow) Used on Type No(s). 0059, 0072, 0075, 0083, 0093, 0126, 0163, 0228, 0251, 0292, 0297, 0312, 1072, 1093, 1292, 1312, 1342. 691845 Spring-Governor (Silver) Used on Type No(s). 0616, 0620, 0706, 0727, 0728, 1004, 1016, 1020, 1027, 1029, 1119, 1127, 1128, 1142, 1217, 1232, 1242, 1260, 1261, 1263, 1265, 1268, 1276, 1281, 1309, 1315, 1324, 1343, 1345. 692896 Spring-Governor (Bright Orange) Used on Type No(s). 1215.
						209C	692208	Spring-Governor (Green) Used on Type No(s). 0299, 1011, 1012.
						211	691850	Spring-Governed Idle

★ Included in Engine Gasket Set-Ref. 358.
● Included in Carburetor Overhaul Kit-Ref. 121.

∅ Included in Valve Gasket Set-Ref. 1095.



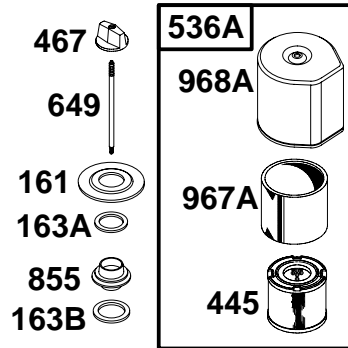
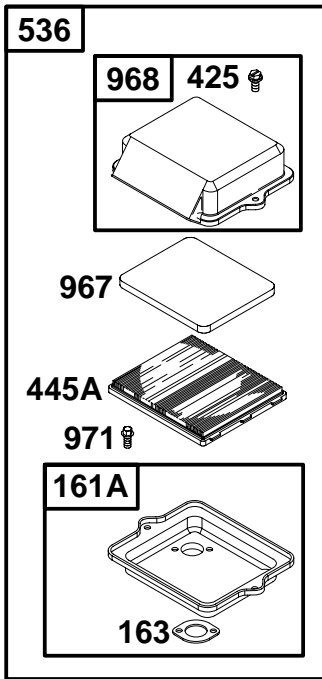
★ NOTE: ALL FUN-KART APPLICATIONS USING MODEL SERIES 135200 ENGINES MUST USE 694315 FUEL TANK.

REF. NO.	PART NO.	DESCRIPTION	REF. NO.	PART NO.	DESCRIPTION	REF. NO.	PART NO.	DESCRIPTION
180B	694315	Tank-Fuel (Metal Tank) (Uses Plastic Locking-Cap) Note 495370 Tank-Fuel (Metal Tank) (Uses Plastic Locking-Cap) Used on Type No(s). 0214.	181	394818	Cap-Fuel Tank (Metal) (Threaded, Vented) Note 498156 Cap-Fuel Tank (Metal) (Threaded, Non Vented) Used on Type No(s). 0293.	191B	★●272409	Gasket-Fuel Tank Used on Type No(s). 0299, 1011, 1012.
180C	494600	Tank-Fuel (Metal Tank) (Uses Vented Metal Screw Cap) Used on Type No(s). 0299, 1011, 1012, 0293.	190	692200	Screw (Fuel Tank)	621	692310	Switch-Stop
			190A	691687	Screw (Fuel Tank)	916	691900	Rack-Governor Gear (Black) Note 690583 Rack-Governor Gear (Natural) Used on Type No(s). 0016, 0019, 0071, 0147, 0148, 0185, 0195, 0200, 0213, 0214, 0216, 0232, 0260, 0263, 0306, 0310, 1016, 1071, 1147, 1200, 1232, 1260, 1263, 1310.
			190B	691685	Screw (Fuel Tank)	957	494559	Cap-Fuel Tank (Plastic)
			191	★●692241	Gasket-Fuel Tank			
			191A	★●272996	Gasket-Fuel Tank			

★ Included in Engine Gasket Set-Ref. 358.
● Included in Carburetor Overhaul Kit-Ref. 121.

∅ Included in Valve Gasket Set-Ref. 1095.

135200 to 135299

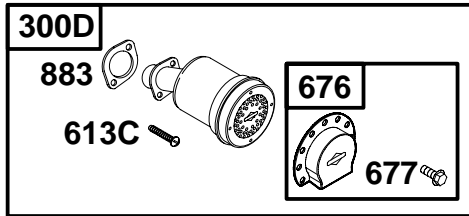
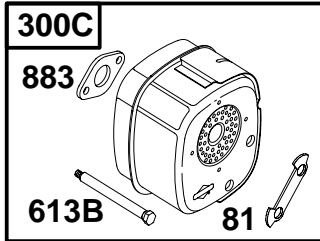
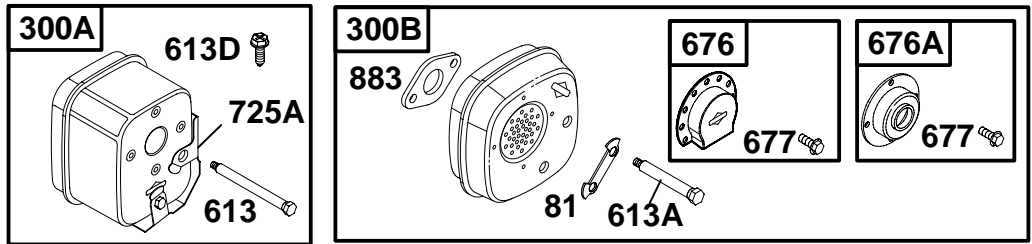


REF. NO.	PART NO.	DESCRIPTION	REF. NO.	PART NO.	DESCRIPTION	REF. NO.	PART NO.	DESCRIPTION
161	691735	Base—Air Cleaner (Round)	467	691668	Knob—Air Cleaner	855	690599	Adapter—Air Cleaner
161A	694484	Base—Air Cleaner (Rectangular)	536	494279	Cleaner—Air (Rectangular)	967	491435	Filter—Pre Cleaner (Rectangular)
163	★Ø271935	Air Cleaner Gasket (Standard, Oval)	536A	396397	Cleaner—Air (Canister)	967A	271466	Filter—Pre Cleaner (Round)
163A	●271139	Air Cleaner Gasket (1 5/8" O.D. Round)	649	231332	Stud (Air Cleaner Cover, 1/4" Diameter)	968	692321	Cover—Air Cleaner (Rectangular)
163B	690580	Air Cleaner Gasket (1 15/16" O.D. Round)	————— Note —————			968A	493822	Cover—Air Cleaner (Canister)
425	694515	Screw (Air Cleaner Cover)		691248	Stud (Air Cleaner Cover, 1/2" Diameter)	971	690370	Screw (Air Cleaner Base)
445	396424	Filter—Air Cleaner Cartridge (Canister)			Used on Type No(s). 0185, 0263, 1263.			
445A	491588	Filter—Air Cleaner Cartridge (Rectangular)						

★ Included in Engine Gasket Set—Ref. 358.

● Included in Carburetor Overhaul Kit—Ref. 121.

Ø Included in Valve Gasket Set—Ref. 1095.

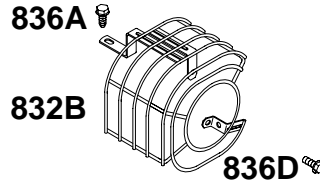
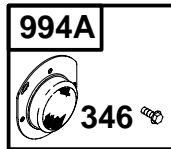
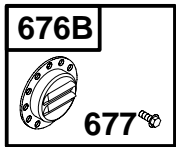
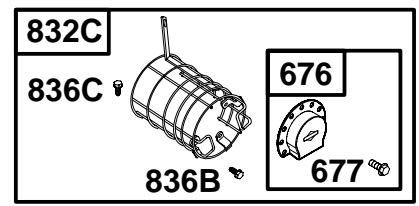
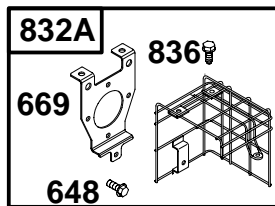
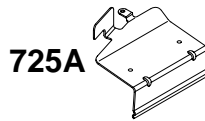
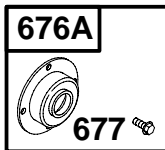
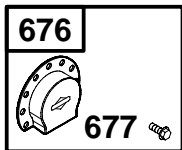


REF. NO.	PART NO.	DESCRIPTION	REF. NO.	PART NO.	DESCRIPTION	REF. NO.	PART NO.	DESCRIPTION
81	691729	Lock-Muffler Screw	303	94089	Elbow-Exhaust	676	393757	Deflector-Muffler (Side Out) (Deep)
298	690453	Locknut-Muffler/Elbow	613	691351	Screw (Muffler)			Note
300A	691969	Muffler (Super Lo Tone)	613A	691413	Screw (Muffler)			494423 Deflector-Muffler (Side Out) (Shallow)
300B	494585	Muffler	613B	691632	Screw (Muffler)			Used on Type No(s). 0029, 0167, 0190, 0225, 0248, 0276, 0767, 1029, 1276, 1167, 1190.
		Note (Heat Shield Supplied By Equipment Manufacturer) Used on Type No(s). 0185.	613C	691665	Screw (Muffler)	676A	395700	Deflector-Muffler (Direct Out)
300C	390918	Muffler (Lo Tone)	613D	690810	Screw (Muffler)	677	690661	Screw (Muffler Deflector)
		Note 692304 Muffler (Lo Tone) Used on Type No(s). 0072, 0075, 0142, 0143, 0193, 0195, 0198, 0208, 0244, 0315, 0316, 1072, 1075, 1127, 1142, 1143, 1315.	613E	692557	Screw (Muffler) Used on Type No(s). 1127.	725A	690466	Shield-Heat (Muffler)
300D	496892	Muffler (Round Lo Tone) Used on Type No(s). 0138, 0165, 0227, 0274.				883	692237	Gasket-Exhaust
						981	690408	Brace-Muffler

★ Included in Engine Gasket Set-Ref. 358.
● Included in Carburetor Overhaul Kit-Ref. 121.

∅ Included in Valve Gasket Set-Ref. 1095.

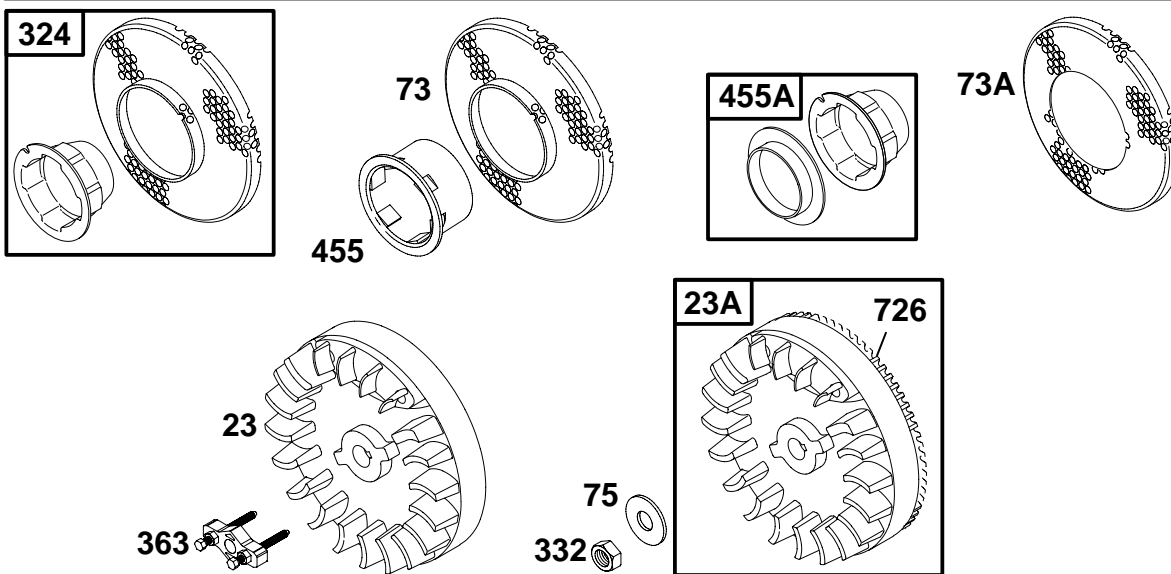
135200 to 135299



REF. NO.	PART NO.	DESCRIPTION	REF. NO.	PART NO.	DESCRIPTION	REF. NO.	PART NO.	DESCRIPTION
346	690661	Screw (Spark Arrestor)	677	690661	Screw (Muffler Deflector)	836	691683	Screw (Muffler Guard)
648	691660	Screw (Muffler Guard Bracket)	725A	690440	Shield-Heat (Fuel Tank)	836A	690810	Screw (Muffler Guard)
669	690425	Bracket-Muffler Guard	832A	490534	Guard-Muffler (Super Lo Tone)	836B	690367	Screw (Muffler Guard)
676	393757	Deflector-Muffler (Side Out) (Deep)	832B	690625	Guard-Muffler (Lo Tone)	836C	691681	Screw (Muffler Guard)
		Note	832C	498257	Guard-Muffler (Round Lo Tone)	836D	690661	Screw (Muffler Guard)
		494423 Deflector-Muffler (Side Out) (Shallow) Used on Type No(s). 0029, 0167, 0190, 0225, 0248, 0276, 0767, 1029, 1276, 1167, 1190.				994A	399541	Arrestor-Spark
676A	395700	Deflector-Muffler (Direct Out)						
676B	393758	Deflector-Muffler (Louvered)						

★ Included in Engine Gasket Set-Ref. 358.
● Included in Carburetor Overhaul Kit-Ref. 121.

∅ Included in Valve Gasket Set-Ref. 1095.

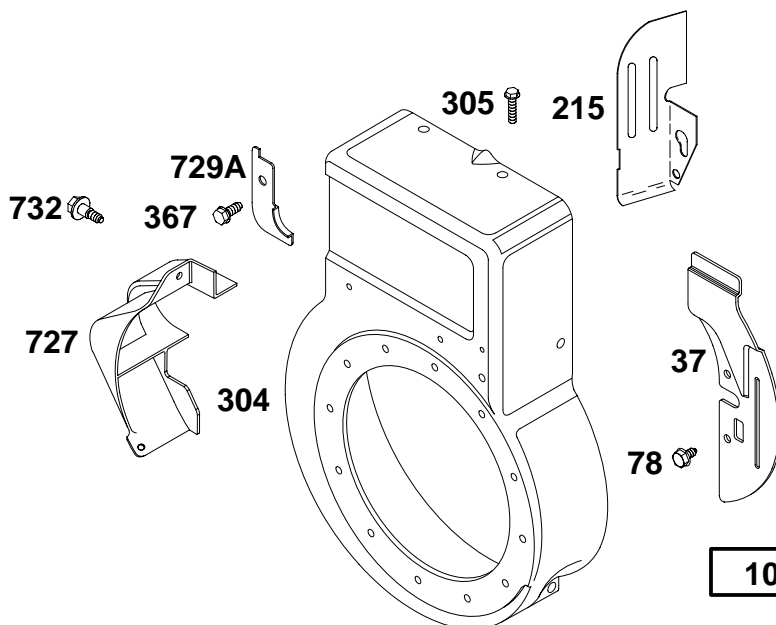


REF. NO.	PART NO.	DESCRIPTION	REF. NO.	PART NO.	DESCRIPTION	REF. NO.	PART NO.	DESCRIPTION
23	399673	Flywheel (Rewind Start)	75	690582	Washer (Flywheel)	363	19069	Flywheel Puller
23A	690820	Flywheel (With Ring Gear)	324	695161	Screen/Cup Assembly (Used After Code Date 95010800).	455	224250	Cup-Flywheel (Straight Side Cup) (Used Before Code Date 95020300).
73	224883	Screen-Rotating (Used Before Code Date 95020300).	332	690662	Nut (Flywheel)	455A	494770	Cup-Flywheel (Straight Side Cup With Rotating Screen Ring)
73A	691226	Screen-Rotating (Used After Code Date 95010800).				726	495765	Gear-Ring (Includes Mounting Hardware)
<p align="center">Note</p> <p>224974 Screen-Rotating (Used Before Code Date 95010900).</p>								

★ Included in Engine Gasket Set-Ref. 358.
● Included in Carburetor Overhaul Kit-Ref. 121.

∅ Included in Valve Gasket Set-Ref. 1095.

135200 to 135299

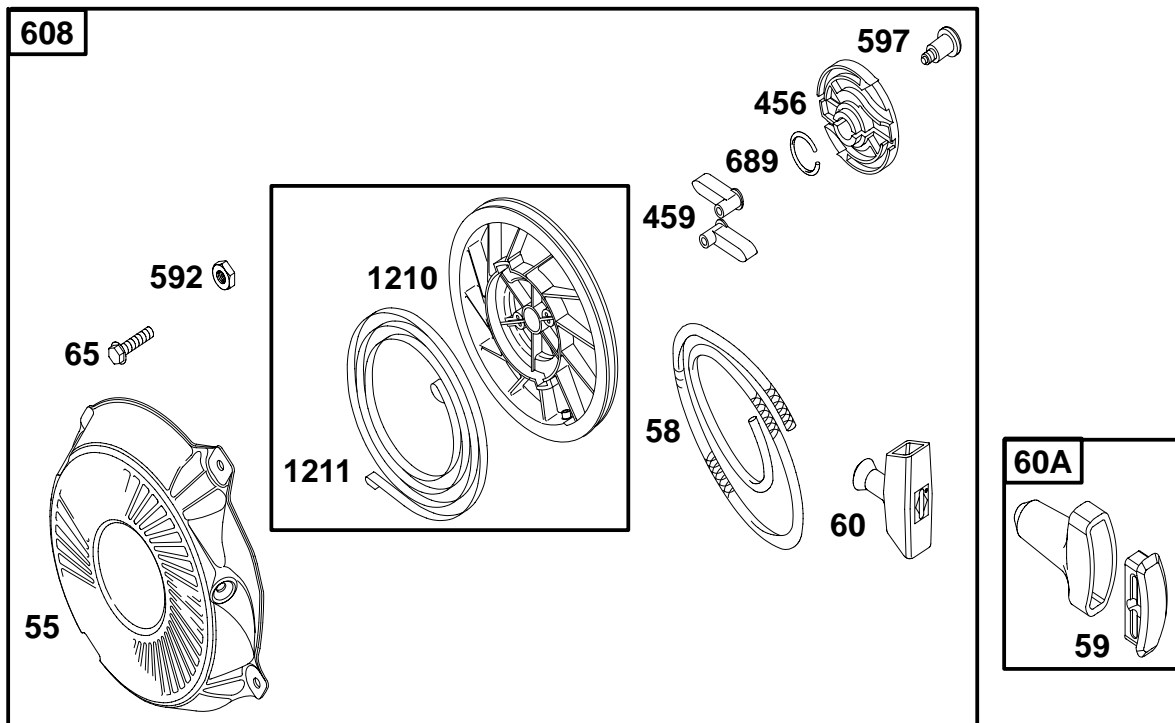


1036 EMISSIONS LABEL

REF. NO.	PART NO.	DESCRIPTION	REF. NO.	PART NO.	DESCRIPTION	REF. NO.	PART NO.	DESCRIPTION
37	691732	Guard-Flywheel	305	692198	Screw	1036	695100	Label-Emission
78	691660	Screw			(Blower Housing)			(Used After Code Date
		(Flywheel Guard)	367	691660	Screw			99093000).
215	691745	Guide-Air			(Wire Clip)			Note
		(Rewind Start)	727	690600	Cover-Starter Drive			694517 Label-
		Note	729A	690471	Clip-Wire			Emission
		690472 Guide-Air			(Steel)			(Used Before Code
		(Electric Start)	732	691097	Screw			Date 99100100 and
304	495759	Housing-Blower			(Starter Drive Cover)			After Code Date
		(Rewind Start)						98123100).
		Note						499345 Label-
		495760 Housing-						Emission
		Blower						(Used Before Code
		(Electric Start)						Date 99010100 and
		Used on Type No(s).						After Code Date
		0011, 0013, 0022,						97052500).
		0025, 0121, 0138,						499344 Label-
		0157, 0205, 0225,						Emission
		0236, 0248, 0264,						(Used Before Code
		0299, 0611, 0625,						Date 97052600).
		0757, 0762, 1337.						

★ Included in Engine Gasket Set-Ref. 358.
● Included in Carburetor Overhaul Kit-Ref. 121.

∅ Included in Valve Gasket Set-Ref. 1095.

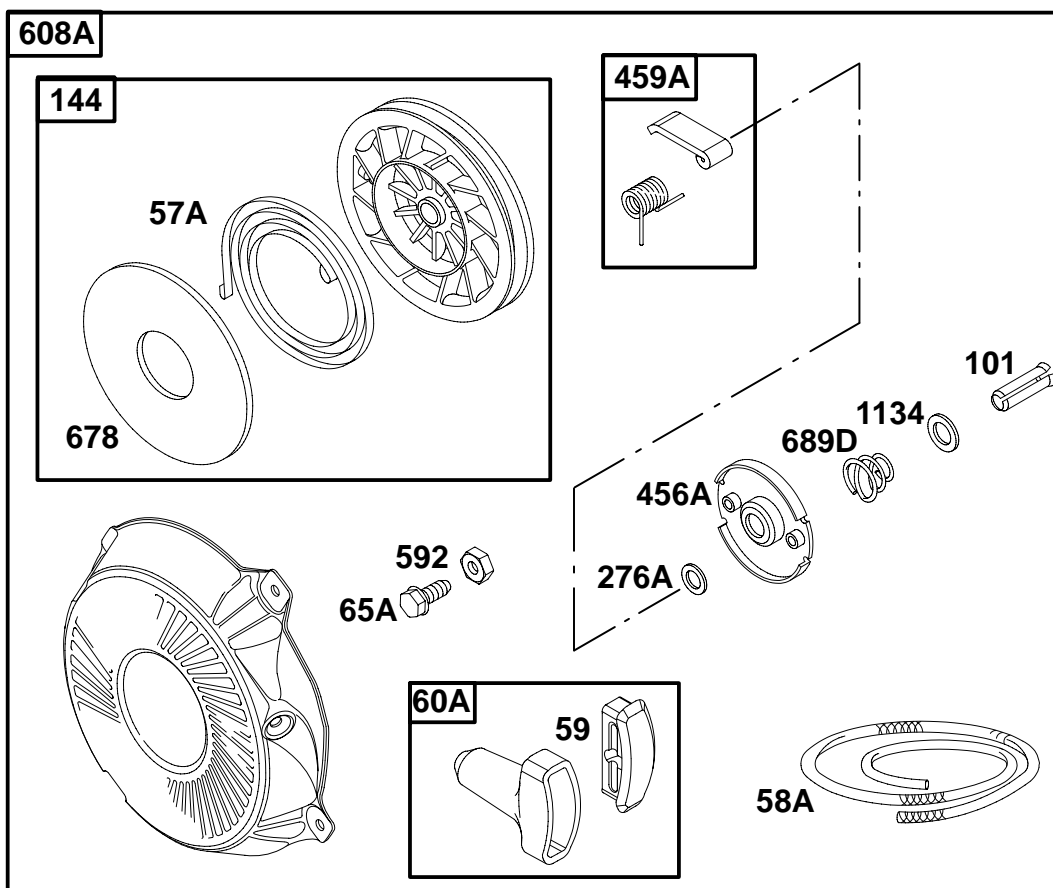


REF. NO.	PART NO.	DESCRIPTION	REF. NO.	PART NO.	DESCRIPTION	REF. NO.	PART NO.	DESCRIPTION
55	691422	Housing—Rewind Starter	65	690837	Screw (Rewind Starter)	689C	691855	Spring—Friction (Ratchet Pawl)
58	691921	Rope—Starter (Cut To Required Length)	456	692299	Plate—Pawl Friction	1210	498144	Pulley/Spring Assembly (Pulley)
59	396892	Insert—Grip	459	281505	Pawl—Ratchet	1211	498144	Pulley/Spring Assembly (Spring)
60	691915	Grip—Starter Rope (1 Piece)	592	690800	Nut (Rewind Starter)			
60A	393152	Grip—Starter Rope (2 Piece)	597	691696	Screw (Pawl Friction Plate)			
			608	497830	Starter—Rewind			

★ Included in Engine Gasket Set—Ref. 358.
 ● Included in Carburetor Overhaul Kit—Ref. 121.

∅ Included in Valve Gasket Set—Ref. 1095.

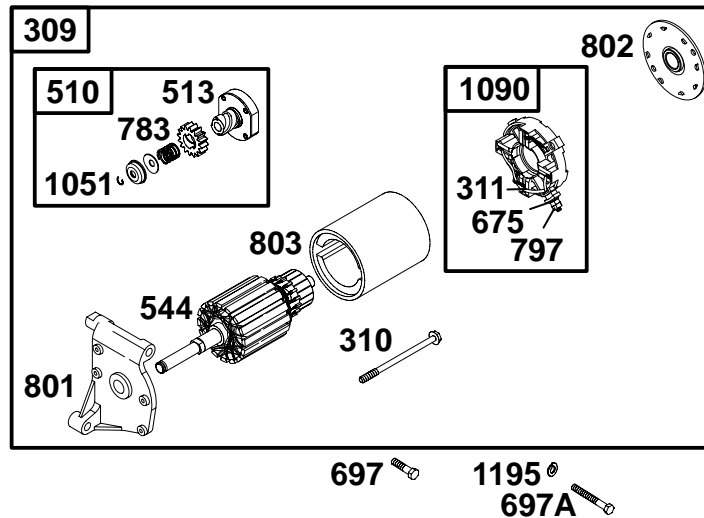
135200 to 135299



REF. NO.	PART NO.	DESCRIPTION	REF. NO.	PART NO.	DESCRIPTION	REF. NO.	PART NO.	DESCRIPTION
55A		Housing–Rewind Starter (For Complete Rewind Starter Housing Service, See Ref 608, Previous Page)	101	262626	Shaft Pin	608A		Starter–Rewind (For Complete Rewind Starter Service, See Ref 608, Previous Page)
57A	491889	Rewind Starter Spring	144	493824	Starter Pulley	678	224278	Rewind Spacer
58A	280406	Starter Rope (Cut To Length)	276A	280973	Sealing Washer	689D	262625	Friction Spring
59	396892	Insert–Grip	456A	224321	Plate–Pawl Friction	1134	498144	Washer (Pawl Friction Plate)
60A	393152	Grip–Starter Rope	459A	492833	Pawl–Ratchet			
65A	94686	Screw (Rewind Starter)	592	690800	Nut (Rewind Starter)			

★ Included in Engine Gasket Set–Ref. 358.
● Included in Carburetor Overhaul Kit–Ref. 121.

∅ Included in Valve Gasket Set–Ref. 1095.

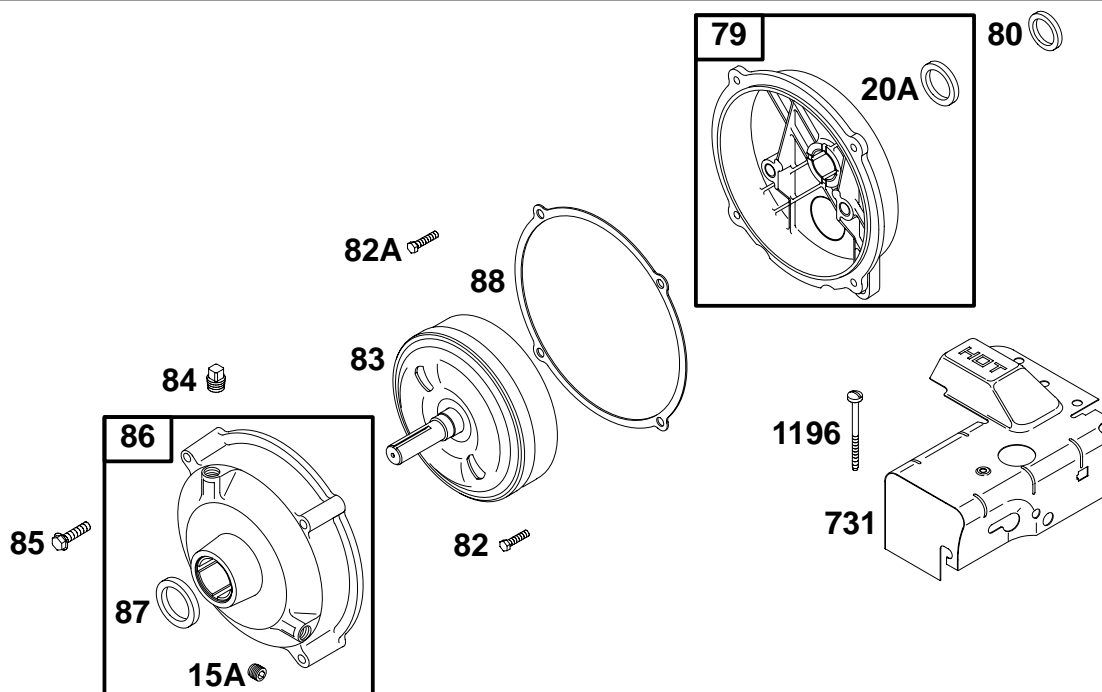


REF. NO.	PART NO.	DESCRIPTION	REF. NO.	PART NO.	DESCRIPTION	REF. NO.	PART NO.	DESCRIPTION
309	690658	Motor-Starter	697	693972	Screw (Drive Cap)	801	690835	Cap-Drive
310	690323	Bolt (Starter Motor)	697A	690298	Screw (Drive Cap) (Starter Drive Cover)	802	691286	Cap-End
311	497608	Set-Brush	783	692353	Gear-Pinion	803	693757	Housing-Starter
510	499308	Drive-Starter	797	691029	Nut (Brush Retainer)	1051	691265	Ring-Retaining
513	692024	Clutch-Drive				1090	691293	Retainer-Brush
544	692966	Armature-Starter				1195	691075	Washer (Drive Cap)
675	691621	Washer (Brush Retainer)						

★ Included in Engine Gasket Set-Ref. 358.
● Included in Carburetor Overhaul Kit-Ref. 121.

∅ Included in Valve Gasket Set-Ref. 1095.

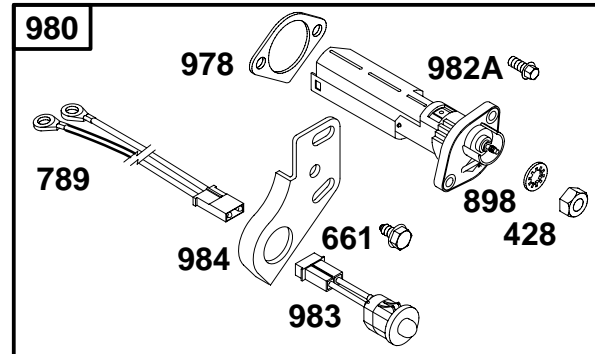
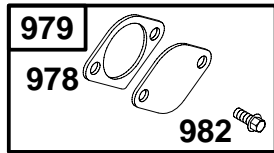
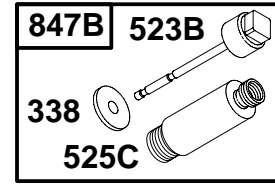
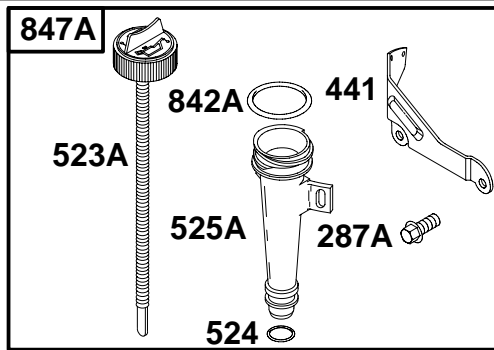
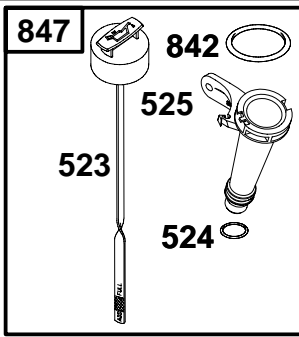
135200 to 135299



REF. NO.	PART NO.	DESCRIPTION	REF. NO.	PART NO.	DESCRIPTION	REF. NO.	PART NO.	DESCRIPTION
15A	691682	Plug—Oil Drain Plug (Flush)	82	690369	Screw (Gear Reduction Case)	86	690608	Cover—Gear
20A	★299819	Seal—Oil (PTO Side) (53/64" I.D. Without Spring)	82A	691122	Screw (Gear Reduction Case)	87	691582	Seal—Gear Reduction
79	690605	Case—Gear Reduction	83	690374	Shaft—Auxiliary Drive	88	691600	Gasket—Gear Reduction Cover
80	691602	Gasket—Gear Case	84	691121	Plug—Breather	731	399183	Hood—Snow
			85	691117	Screw (Gear Cover To Gear Reduction)	1196	93977	Screw (Snow Hood)

★ Included in Engine Gasket Set—Ref. 358.
 ● Included in Carburetor Overhaul Kit—Ref. 121.

∅ Included in Valve Gasket Set—Ref. 1095.

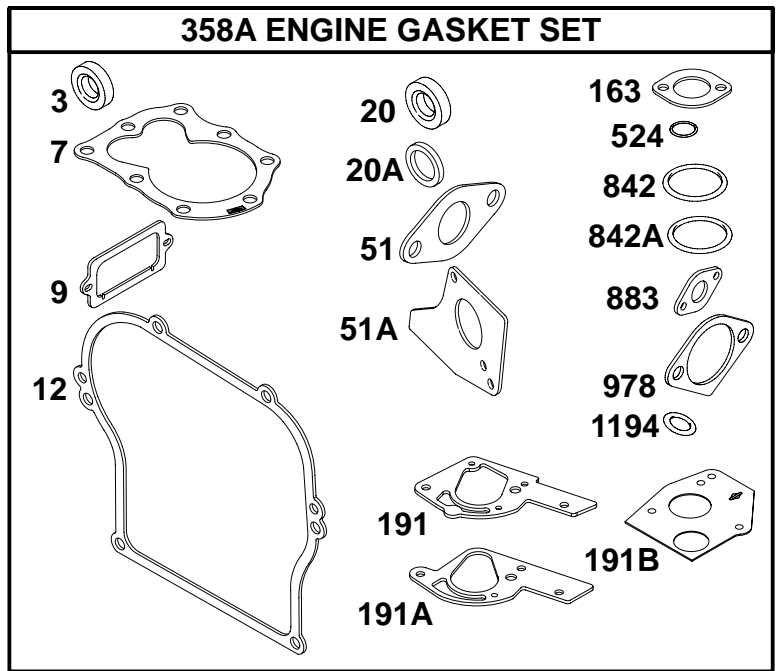


REF. NO.	PART NO.	DESCRIPTION	REF. NO.	PART NO.	DESCRIPTION	REF. NO.	PART NO.	DESCRIPTION
287	94807	Screw (Dipstick Tube)	524	★691876	Seal—Dipstick Tube	847	694381	Dipstick/Tube Assembly (Without Bracket) (Used After Code Date 99031400).
287A	691693	Screw (Dipstick Tube)	525	694379	Tube—Dipstick (31/32" ID Top) (Used After Code Date 99031400).	847A	691379	Dipstick/Tube Assembly (With Bracket) (Used Before Code Date 99031500).
338	690270	Gasket—Dipstick	525A	694531	Tube—Dipstick (1 1/64" ID Top) (Used Before Code Date 99031500).	847B	493955	Dipstick/Tube Assembly (Uses 691257 Dipstick Tube)
428	691612	Nut (OIL GARD®Kit)	525C	691257	Tube—Dipstick (Oil Filler Pipe Adapter) (3 1/8" Long)	898	691077	Washer (OIL GARD®Kit)
441	690448	Bracket—Oil Fill	661	690661	Screw (OIL GARD®Light Bracket)	978	★273326	Gasket—OIL GARD®
523	495264	Dipstick (8 7/16" Flat Wire) (Used After Code Date 99031400).	789	398661	Harness—Wiring	979	691382	Cover—OIL GARD®
523A	691388	Dipstick (7 11/16" Spring) (Used Before Code Date 99031500).	842	★691031	Seal—O Ring (Dipstick Tube) (Used After Code Date 99031400).	980	398182	Kit—OIL GARD®
523B	691942	Dipstick (4 13/16" Round Bar)	842A	★691870	Seal—O Ring (Dipstick Tube) (Used Before Code Date 99031500).	982	690351	Screw (OIL GARD Cover)
		Note 690777 Dipstick (8 11/16" Spring) Used on Type No(s). 0255, 0273, 0294, 0307, 0308, 1008, 1308.				982A	690350	Screw (OIL GARD Cover)
						983	398660	Light—Indicator
						984	692340	Bracket—OIL GARD®Light

★ Included in Engine Gasket Set—Ref. 358.
● Included in Carburetor Overhaul Kit—Ref. 121.

∅ Included in Valve Gasket Set—Ref. 1095.

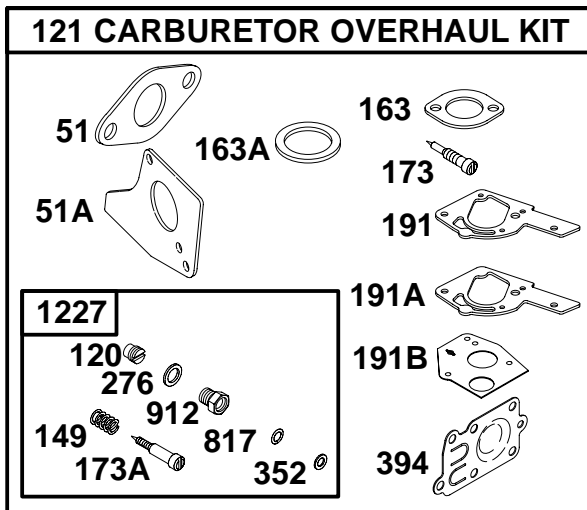
135200 to 135299



REF. NO.	PART NO.	DESCRIPTION	REF. NO.	PART NO.	DESCRIPTION	REF. NO.	PART NO.	DESCRIPTION
3	★299819	Seal—Oil (Magneto Side)	51	★●27355	Gasket—Intake Used on Type No(s). 0299, 1101, 1012, 1309.	358A	495603	Gasket Set—Engine
7	★∅272157	Gasket—Cylinder Head	51A	★∅●273113	Gasket—Intake	524	★691876	Seal—Dipstick Tube
9	★∅27549	Gasket—Breather	163	★∅271935	Gasket—Air Cleaner (Standard, Oval)	842	★691031	Seal—O Ring (Dipstick Tube) (Used After Code Date 99031400).
12	★692213	Gasket—Crankcase (Standard)	191	★●692241	Gasket—Fuel Tank	842A	★691870	Seal—O Ring (Dipstick Tube) (Used Before Code Date 99031500).
		Note	191A	★●272996	Gasket—Fuel Tank	883	★692237	Gasket—Exhaust
		★270125 Gasket— Crankcase (.005" Thick)	191B	★●272409	Gasket—Fuel Tank Used on Type No(s). 0299, 1011, 1012.	978	★273326	Gasket—OIL GARD®
		★270126 Gasket— Crankcase (.009" Thick)				1194	★691876	Seal—O Ring (Plug)
20	★495307	Seal—Oil (PTO Side)						
20A	★299819	Seal—Oil (PTO Side)						

★ Included in Engine Gasket Set—Ref. 358.
● Included in Carburetor Overhaul Kit—Ref. 121.

∅ Included in Valve Gasket Set—Ref. 1095.

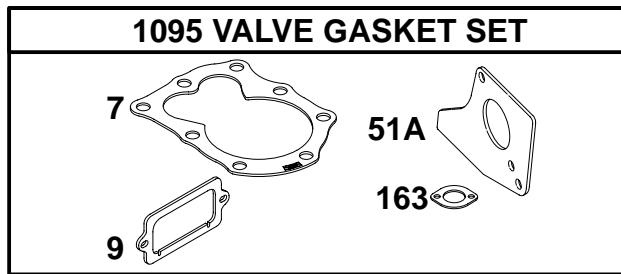


REF. NO.	PART NO.	DESCRIPTION	REF. NO.	PART NO.	DESCRIPTION	REF. NO.	PART NO.	DESCRIPTION
51	★●27355	Gasket-Intake Used on Type No(s). 0299, 1101, 1012, 1309.	173	●691777	Valve-Idle Mixture (Idle)	352	●690257	Washer (High Speed Valve)
51A	★∅●273113	Gasket-Intake	173A	●690266	Valve-Idle Mixture (Main)	394	●272538	Diaphragm-Carburetor (Pump)
120	●692134	Seat-Needle Valve	191	★●692241	Gasket-Fuel Tank	817	●691606	Seal-O Ring (High Speed Valve)
121	495606	Kit-Carburetor Overhaul	191A	★●272996	Gasket-Fuel Tank	912	●690504	Nut-Needle Valve
149	●691592	Spring-Needle Valve	191B	★●272409	Gasket-Fuel Tank Used on Type No(s). 0299, 1011, 1012.	1227	●299060	Valve-High Speed
163	★∅271935	Gasket-Air Cleaner (Standard, Oval)	276	●691608	Washer-Sealing			
163A	●271139	Gasket-Air Cleaner (1 5/8" O.D. Round)						

★ Included in Engine Gasket Set-Ref. 358.
● Included in Carburetor Overhaul Kit-Ref. 121.

∅ Included in Valve Gasket Set-Ref. 1095.

135200 to 135299



REF. NO.	PART NO.	DESCRIPTION	REF. NO.	PART NO.	DESCRIPTION	REF. NO.	PART NO.	DESCRIPTION
	7 ★Ø 272157	Gasket–Cylinder Head		163 ★Ø 271935	Gasket–Air Cleaner (Standard, Oval)	1095	498529	Gasket Set–Valve
	9 ★Ø 27549	Gasket–Breather						
	51A ★Ø● 273113	Gasket–Intake						

★ Included in Engine Gasket Set–Ref. 358.
● Included in Carburetor Overhaul Kit–Ref. 121.

Ø Included in Valve Gasket Set–Ref. 1095.