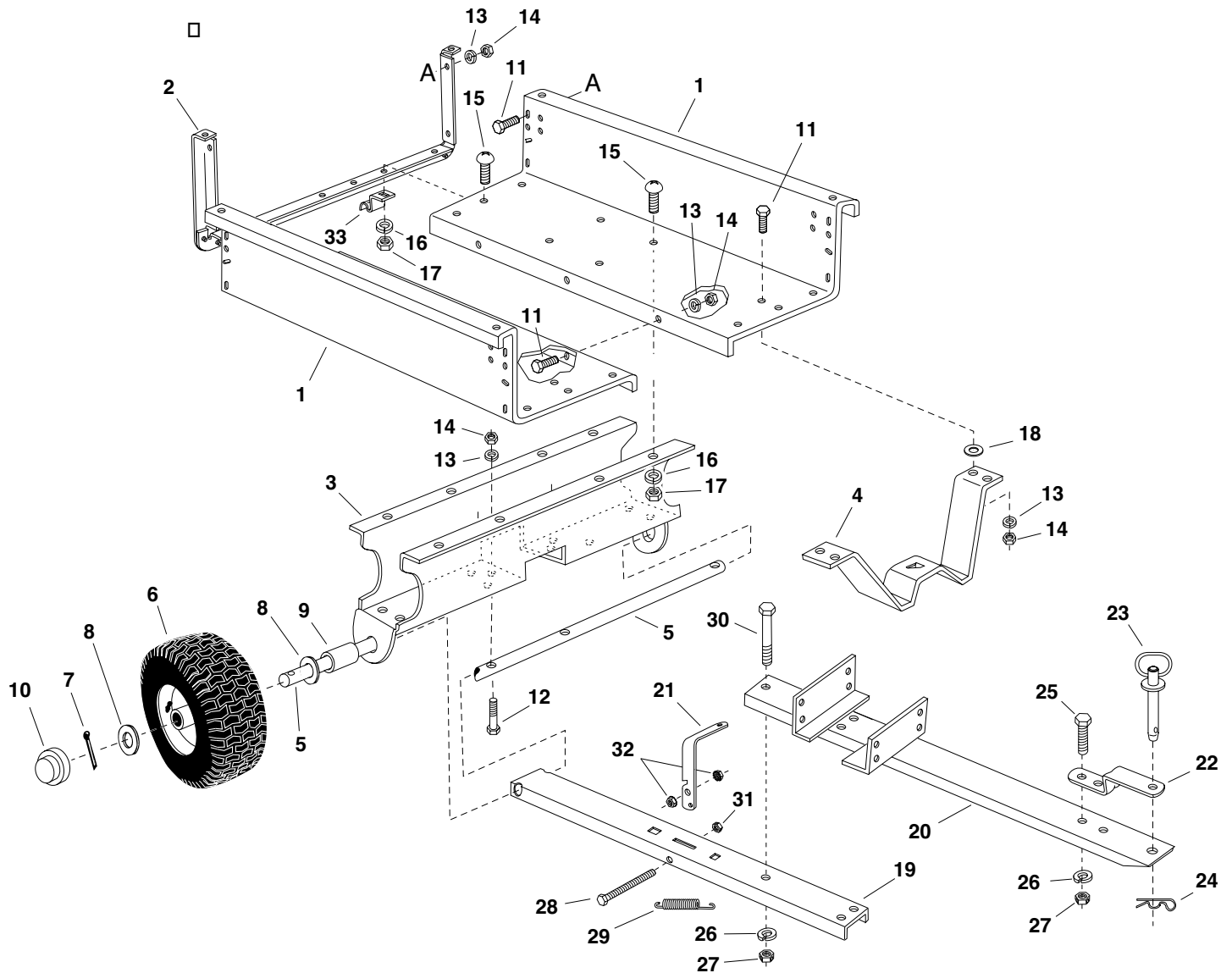
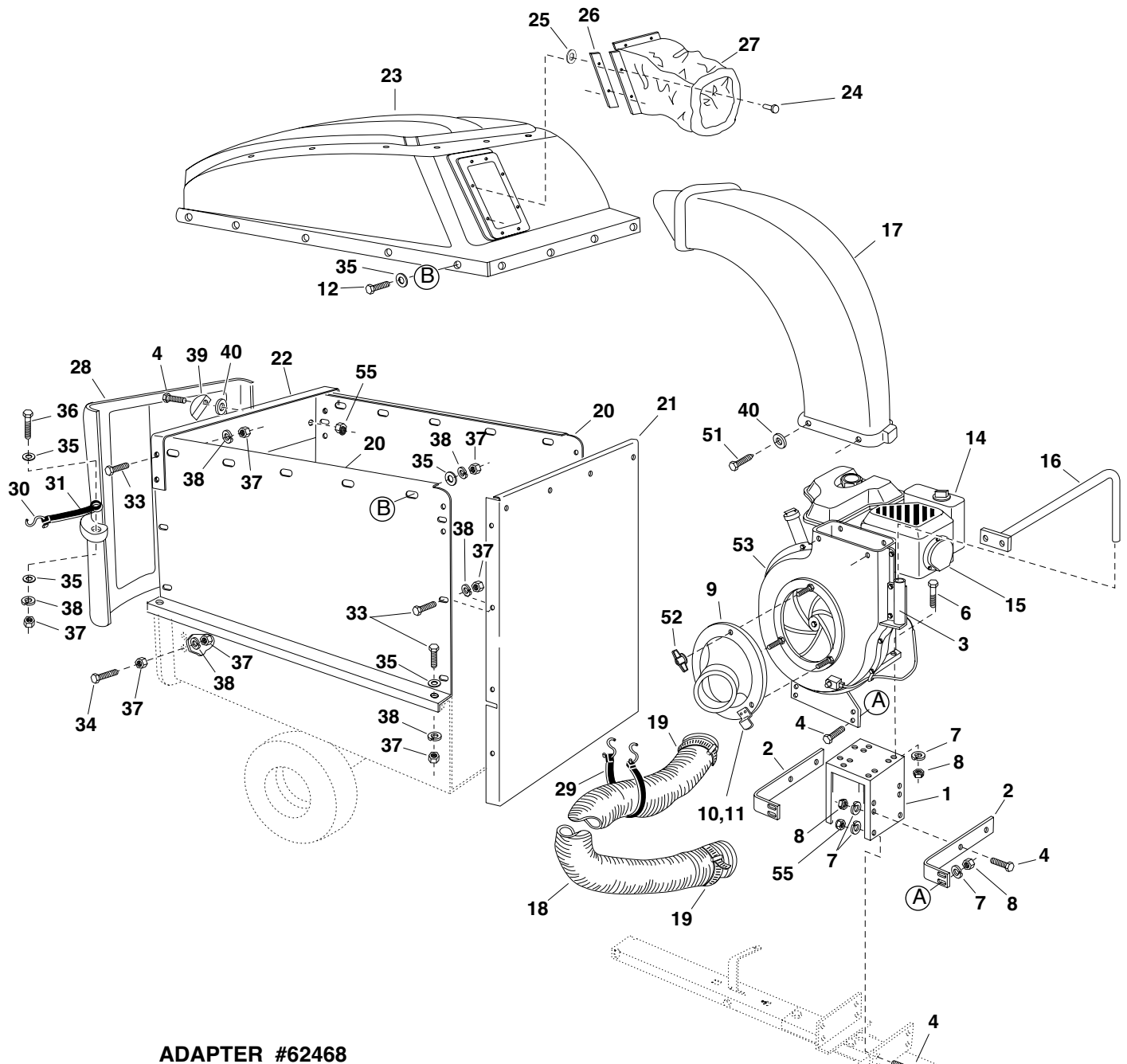


# REPAIR PARTS FOR MODEL 501885 CART BODY

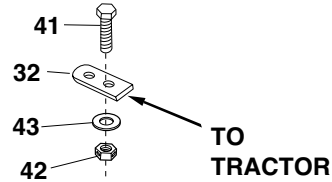
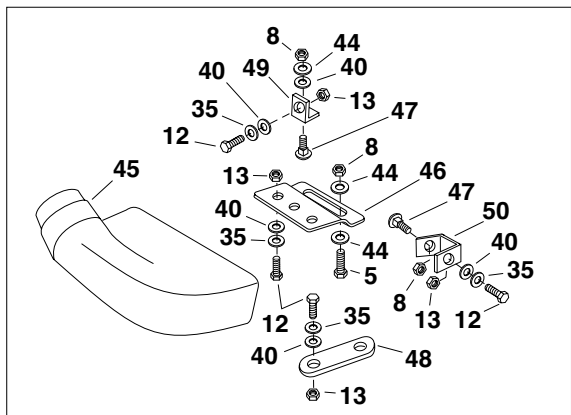


REF. NO.	PART NO.	QTY.	DESCRIPTION	REF. NO.	PART NO.	QTY.	DESCRIPTION
1	23985	2	Cart Body	17	43083	14	Hex Nut, 5/16-18 Thread
2	62458	1	Tailgate Reinforcement Bracket	18	43088	2	Washer, Flat 1/4"
3	23507	1	Wheel Support	19	63917	1	Tongue Weldment Ass'y. (Rear)
4	24497	1	Latch Stand Bracket	20	63155	1	Tongue Weldment Ass'y. (Front)
5	23488	1	Axle, Wheel 1" Dia.	21	24614	1	Latch Lock Lever
6	46272	2	Wheel w/Tire, 15 x 6.00	22	23475	1	Hitch Bracket
7	43093	2	Cotter Pin, 1/8" Dia. x 1-1/2"	23	43884	1	Hitch Pin
8	43601	4	Washer, Flat 1"	24	43343	1	Pin, Hair Cotter 1/8"
9	44678	2	Spacer Tube, 1-1/4" x 2" Lg.	25	43087	2	Hex Bolt, 3/8-16 x 1-1/4"
10	43014	2	Hub Cap	26	43003	5	Lockwasher, 3/8"
11	43866	9	Hex Bolt, 1/4-20 x 5/8"	27	43082	5	Hex Lock Nut, 3/8-16 Thread
12	1509-69	2	Hex Bolt, 1/4-20 x 1-3/4"	28	47407	1	Hex Bolt, 5/16-18 x 3-3/4"
13	43177	11	Lockwasher, 1/4"	29	47408	1	Spring, Extension
14	43178	11	Hex Nut, 1/4-20 Thread	30	43574	3	Hex Bolt, 3/8-16 x 3"
15	43814	14	Truss Hd. Bolt, 5/16-18 x 3/4"	31	43064	1	Hex Lock Nut, 5/16-18
16	43086	14	Lockwasher, 5/16"	32	46980	2	Hex Nut, 5/16-18 (SIMS)
				33	23838	2	Door Support

# REPAIR PARTS FOR MODEL 501885 MOW-N- VAC



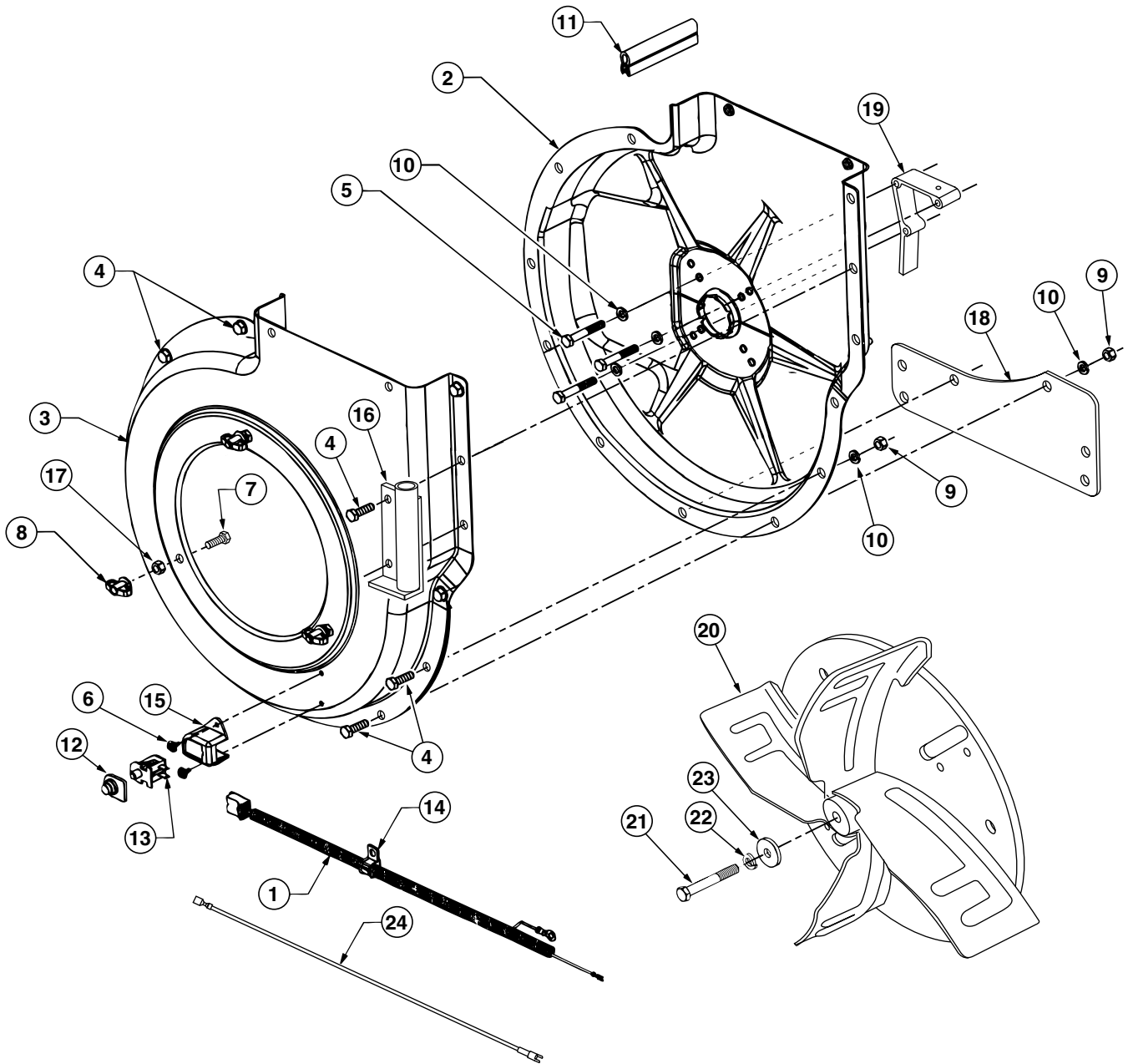
## ADAPTER #62468



## REPAIR PARTS FOR MODEL 501885 MOW-N- VAC

REF. NO.	PART NO.	QTY.	DESCRIPTION	REF. NO.	PART NO.	QTY.	DESCRIPTION
1	24080	1	Engine Base	28	44790	1	Poly Rear Door
2	24078	2	Brace, Housing	29	43790	1	Strap, Tarp 25"
3	63226	1	Hose Hanger Bracket Ass'y. (Ref. item #16 on page 22.)	30	44849	2	"S" Hook, #32
4	43182	14	Bolt, Hex 5/16-18 x 3/4"	31	44850	2	Strap, Tarp (Less Hooks)
5	43063	2	Bolt, Hex 5/16-18 x 1"	32	23540	1	Hitch Plate
6	43085	4	Bolt, Hex 5/16-18 x 1-1/2"	33	43866	22	Bolt, Hex 1/4-20 x 5/8"
7	43086	16	Lockwasher, 5/16" Spring Type	34	43661	2	Bolt, Hex 1/4-20 x 1"
8	43064	15	Nut, Hex Lock 5/16-18	35	43088	39	Washer, 1/4" STD
9	63375	1	Assembly, Hose Adapter (Nozzle) (Includes items 10 and 11))	36	1509-90	2	Bolt, Hex 1/4-20 x 1-1/4"
10	781-0635	1	Bracket, Switch (Actuator)	37	43178	42	Nut, Hex 1/4-20
11	728-3001	3	Rivet, Pop 5/32"	38	43177	40	Lockwasher, Spring 1/4"
12	43012	17	Bolt, Hex 1/4-20 x 3/4"	39	23789	2	Door Latch
13	43013	3	Nut, Hex Lock 1/4-20 Thd.	40	1543-69	9	Washer, Nylon 21/64"
14	110412-0158-E1	1	Engine, B & S 5 HP	41	43351	1	Bolt, Hex 1/2-13 x 1-1/4"
15	222261	1	Deflector, Muffler	42	43262	1	Nut, Hex Lock 1/2-13
16	63227	1	Hose Hanger Rod Ass'y.	43	43352	1	Washer, Flat 7/16"
17	46420	1	Elbow	44	43081	12	Washer, 5/16" STD
18	43792	1	Hose (6" x 84")	45	43830	1	Adapter, Deck
19	43793	2	Hose Clamp 6"	46	23560	1	Bracket, Deck Adapter
20	24678	2	Side Panel Cart Extension	47	43080	2	Bolt, Carr. 5/16" x 3/4"
21	24679	1	Front Panel Cart Extension	48	23825	1	Mounting Strap
22	23836	1	Cross Brace	49	23826	1	Angle Bracket
23	63217	1	Hard Top Assembly (Includes 24,25,26,27)	50	23827	1	Mounting Bracket
24	43882	21	Rivet, 3/16"	51	47630	4	Screw, Self Tap 5/16-18 x 3/4"
25	43910	21	Washer, Flat 3/16"	52	712-0421	3	Knob (See also Item #8, Page 28)
26	23842	4	Boot Mounting Strap	53		1	Impeller Housing Assembly (See page 28
27	46480	1	Hard top Boot	54	62468	1	Deck Adapter Kit (Includes parts in box shown on page 26)
				55	47810	6	Nut, Nylock 5/16-18
					47828	1	Owner's Manual

## REPAIR PARTS FOR MODEL 501885 MOW-N-VAC IMPELLER HOUSING ASSEMBLY



REF. NO.	PART NO.	QTY.	DESCRIPTION	REF. NO.	PART NO.	QTY.	DESCRIPTION
1	629-0241A	1	Harness, Wire	13	725-3166	1	Snap Mount Switch
2	24634	1	Housing Ass'y. Inner	14	726-0272	1	Clamp
3	24633	1	Housing Ass'y. Outer	15	731-1613	1	Cover, Switch
4	43182	12	Bolt, Hex 5/16-18 x 3/4"	16	63226	1	Hose Hanger Bracket. Ass'y.
5	710-0772	3	Bolt, Hex 5/16-24 x 2"	17	712-3046	3	Nut, Hex Jam 5/16-18 Thd.
6	710-1268	2	Screw, Self Tap #10-16 x 3/8"	18	24606	1	Spacer, Housing
7	43063	3	Bolt, Hex 5/16-18 x 1"	19	719-0330A	1	Adapter, Mounting
8	712-0421	3	Knob	20	63924	1	Impeller Assembly
9	43064	12	Nut, Hex Lock 5/16-18	21	710-1273	1	Bolt, Hex 3/8-24 x 2-3/4"
10	43086	15	Washer, Lock 5/16" Spring Type	22	43003	1	Lockwasher, 3/8"
11	723-0438	1	Seal, Rubber	23	736-0247	1	Flat Washer, 13/32" x 1-1/4"
12	725-1700	1	Cover, Switch	24	629-0923	1	Harness Adapter