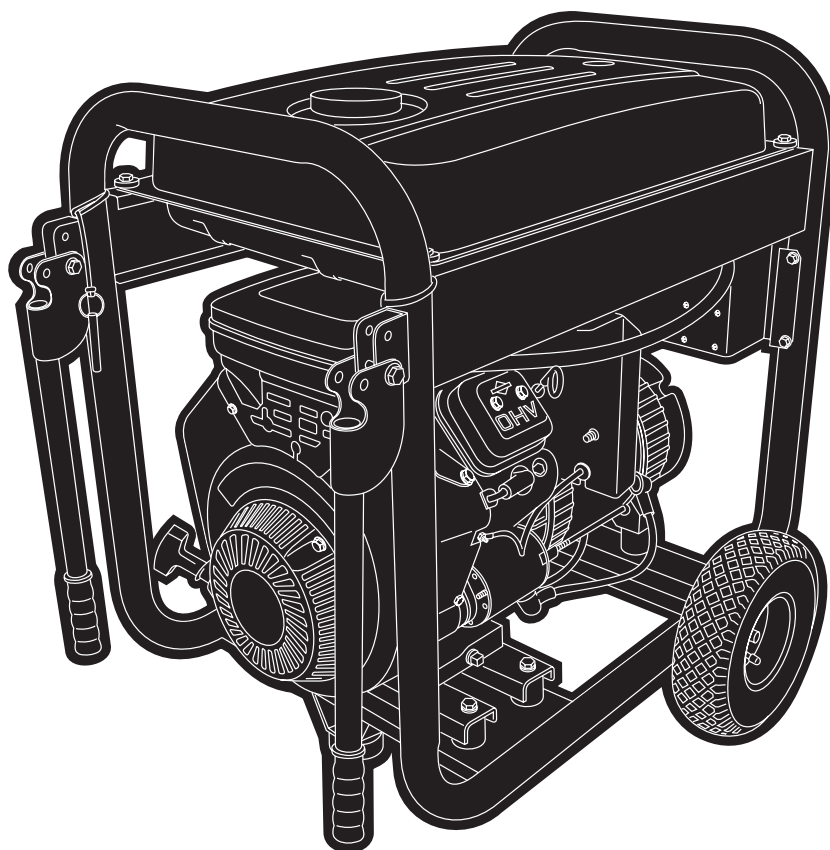




PORTABLE GENERATOR GÉNÉRATEUR PORTATIF GENERADOR PORTÁTIL

Model may vary slightly
from that shown



Model / Modèle / Modelo

**PRO8000
01934**

Illustrated Parts List

Questions? Help is just a
moment away!

Call: Generator Helpline -
1-800-743-4115 M-F 8-5 CT

Les Parties illustrées Enumèrent

Vous avez des questions?
Vous n'avez pas besoin d'aller loin
pour trouver de l'aide!

Appelez: Ligne d'assistance de
Générateur - 1-800-743-4115
M-F 8-5 CT

Las Partes ilustradas Listan

Preguntas? La ayuda es justa un
momento lejos!

Llamada: Generador Helpline -
1-800-743-4115 M-F 8-5 CT

**BRIGGS & STRATTON POWER PRODUCTS GROUP, LLC
JEFFERSON, WISCONSIN, U.S.A.**

IPL No. 194947A
Revision 0 (09/16/2004)

PARTS LIST - MAIN UNIT

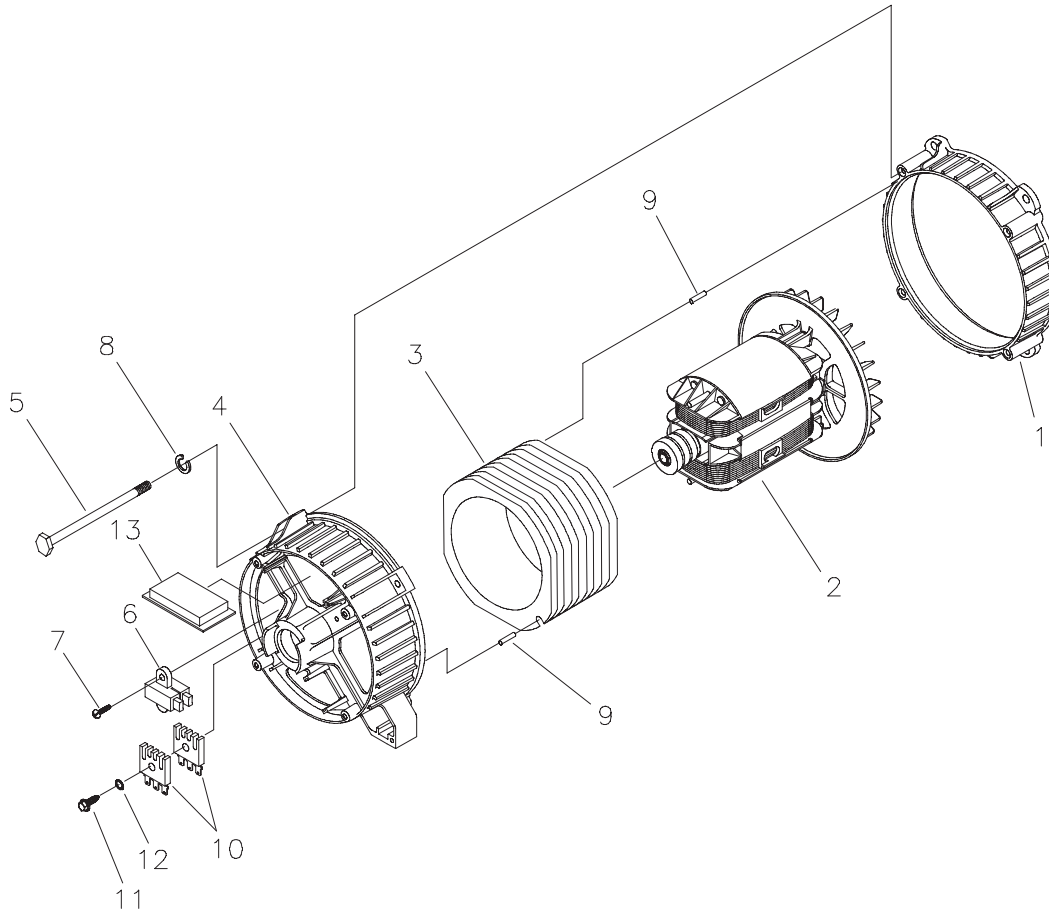
Item Part #	Description	Item Part #	Description
1 B193230GS	CRADLE, Gen Black	51 194799GS	DECAL, Danger
2 194209GS	KIT, Engine Support Hardware	52 93826GS	DECAL, Operating Instructions
3 56893GS	CRIMPTITE, 10-24 x 1/2	53 194034GS	KIT, Folddown Handle Hardware
4 190220GS	ADAPTER, Engine	55 191435GS	DECAL, Fuel Shutoff
5 NSP	ASSY, Alternator (see page 22)	56 95349GS	PLATE, Adjust
6 194151GS	KIT, Adapter Mounting Hardware	57 189759GS	KIT, Fuel Valve Repair
7 62265GS	GROMMET	58 194949GS	ASSY, Control Panel (see page 23)
8 96796GS	WASHER	59 *	WASHER, M6 - 1/4, Int. Shakeproof
9 194208GS	KIT, Alt to Heat Shield Hardware	60 J193512GS	SUPPORT, Tray Battery
10 190274BGS	SCREW, SBHC, 3/8-16 x 1"	61 95348GS	BRACKET, Bell Crank
11 25254GS	HHCS 5/16-24 x 9-7/8	62 95921GS	LINKAGE, Bell Crank to Throttle
12 189302BGS	ASSY, Wire	63 96717GS	SPRING
13 *	HHCS, M8 - 1.25 x 16	68 J192985GS	TRAY, Battery
14 *	WASHER, Shakeproof, Ext. 5/16	69 B4489GS	BATTERY
15 *	WASHER, Shakeproof, Ext. M6	70 *	HHCS, M6 -1.0 x 12
16 B77304GS	SUPPORT, Engine	74 193347GS	KIT, Hardware Battery
17 75246GS	TAPTITE, 3/8 - 16 x 1-1/4	76 185939GGS	ASSY, Wire
18 96867GS	ASSY, Stepper Motor	78 189302EGS	ASSY, Wire
19 J93074GS	SUPPORT, Heatshield	83 192403YGS	ASSY, Wire
20 B4986GS	DECAL, Ground	85 B193200GS	ASSY, Fold Down Handle (Includes Item 86)
21 194155GS	KIT, Vibration Mount	86 189718GS	GRIP, Handle
22 194542GS	KIT, Stepper Motor Hardware	900 NSP	ENGINE
23 193646GS	KIT, Grounding Hardware		
24 194950GS	ASSY, Heat Shield		
26 74908GS	TAPTITE, M5 - 0.8 x 10		
30 194543GS	KIT, Throttle Linkage Hardware		
31 191436GS	DECAL, Caution Hot Muffler		
33 194211GS	KIT, Starter Contact Hardware		
34 186347GS	COVER, RBC Plastic		
35 194214GS	KIT, Hose, Fuel		
36 194210GS	KIT, Starter Mounting Hardware		
37 *	SCREW, Self Driller, 12-14 x 7/8		
38 192376GS	SCREW, 12 - 24 x 1/2 Thd Forming		
40 194212GS	KIT, Fuel Tank Hardware		
41 193272GS	VALVE, Fuel		
43 B4769GS	CONTACTOR, Starter		
44 193299GS	ASSY, Tank Fuel (Includes Items 41, 51, 52 & 57)		
45 189135GS	CAP, Tank Fuel		
46 B4135GS	PIN, Handle Release		
47 77395GS	NUT, Lock, M6		
48 14353621GS	WIRE, Ground		
49 95920GS	LINKAGE, Stepper Motor to Bell Crank		

Parts Not Illustrated

194947GS	MANUAL, Owner's
MS5375	MANUAL, Engine
BB3061GS	BOTTLE, Oil
B4177GS	CHARGER, Battery
65787GS	CABLES, Battery Charge
193662GS	KIT, Decal Service
43438GS	PLUG, 120/240V, 30A 4P
37806GS	PLUG, 125V, 30A 3P
193454GS	SHEET, Instruction, Wheel Kit
690661	SCREW, Tapping Hex
392390	ARRESTER, Spark
692099	ASSY, Muffler
691513	BRACKET, Muffler
692056	SCREW
690898	CLAMP, Muffler
692539	SCREW

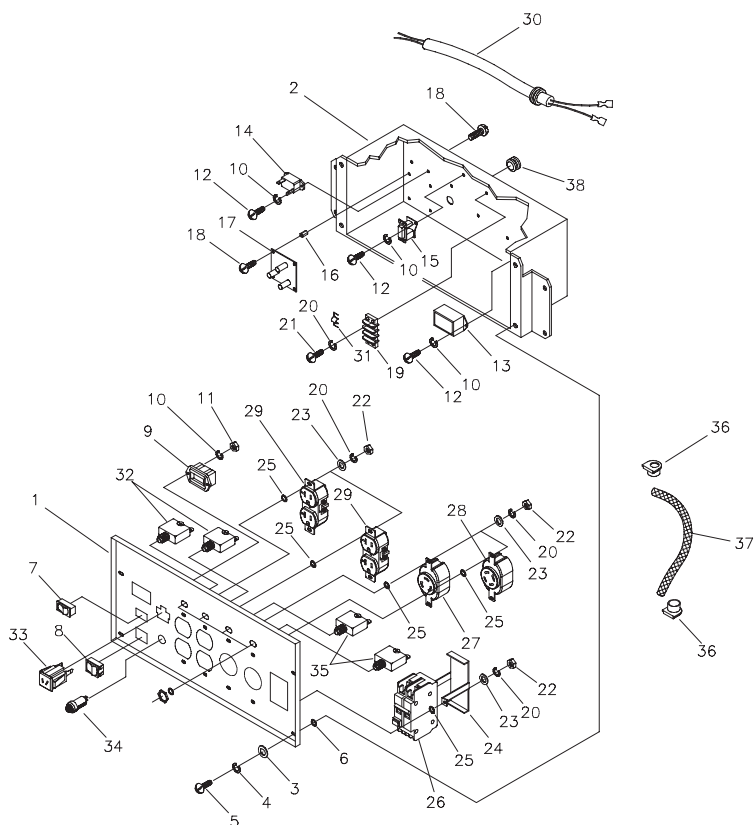
* - Items without part numbers are common fasteners and are available at local hardware stores.

EXPLODED VIEW AND PARTS LIST - ALTERNATOR



Item	Part #	Description
1	186059GS	ADAPTER, Mounting, Alternator
2	192938GS	ROTOR
3	192937AGS	STATOR
4	186060GS	RBC, with O-Ring (p/n 189197GS)
5	66449LGS	HHCS, M6 - 1.0 x 190 SEMS
6	66386GS	ASSY, Holder, Rectifier/Brush
7	66849GS	TAPTITE, M5 - 0.8 x 16
8	22097GS	WASHER, Lock, 1/4 - M6
9	81917GS	PIN, Roll, 4mm x 10
10	65795GS	RECTIFIER, Battery Charge
11	66849CGS	TAPTITE, M5 - 0.8 x 30
12	23762GS	WASHER, Shakeproof, Ext. #10
13	189769GS	REGULATOR, Voltage-AVR

EXPLODED VIEW AND PARTS LIST - CONTROL PANEL



Item	Part #	Description	Item	Part #	Description
1	B192834GS	PANEL, Control	22	*	NUT, M4 - 0.7
2	B192837GS	BOX, Control Panel	23	*	WASHER, Flat, M4
3	*	WASHER, Flat, #10 - M5	24	192931GS	BRACKET, GFCI Breaker
4	*	WASHER, Lock, M5	25	*	WASHER, Shakeproof, Int. #8
5	*	PPHMS, M5 - 0.8 x 12	26	192828EGS	BREAKER, Circuit, GFCI, 40A
6	*	WASHER, M6 - 1/4, Int. Shakeproof	27	68868GS	OUTLET, 120V, 30A
7	82538GS	SWITCH, Rocker	28	43437GS	OUTLET, 120/240V, 30A
8	192855GS	SWITCH, Rocker	29	68759GS	OUTLET, 120V, 20A, Duplex
9	77604GS	METER, Hour	30	194953GS	HARNES, Wire
10	*	WASHER, Lock, M3	31	193597GS	JUMPER, Terminal Block
11	*	NUT, M3 - 0.5	32	75207GS	BREAKER, Circuit, 20A w/hardware
12	*	PHMS, M3 - 0.5 x 10	33	90418GS	OUTLET, 12VDC, Snap
13	77314GS	THERMAL, Relay	34	B4694GS	JACK, Coaxial
14	87962GS	BREAKER, Circuit, 10A, 12V	35	75207NGS	BREAKER, Circuit, 35A, w/hardware
15	84028GS	TRANSFORMER, Idle Cnt	36	188632GS	BOOT, Rubber Wire Outlet
16	64525GS	STANDOFF, HEX, 3/4"	37	77043BGS	CONDUIT, Flex, .50 I.D. x 9.5
17	94117GS	PCB, Idle Control, 10KW	38	62265GS	GROMMET
18	*	PHTS, 6 - 32 x 3/8"			
19	92953GS	TERMINAL, Block			
20	*	WASHER, Lock, M4			
21	*	PPHMS, M4 - 0.7 x 20			

* - Items without part numbers are common fasteners and are available at local hardware stores.