



# Illustrated Parts List

## Model Series

# 10A900

TYPE NUMBERS  
0015 through 2299.

### TABLE OF CONTENTS

Air Cleaner .....	5
Blower Housing/Shrouds .....	7
Brake .....	7
Camshaft .....	3
Carburetor .....	4
Controls .....	5
Crankcase Cover/Sump .....	3
Crankshaft .....	3
Cylinder .....	2
Cylinder Head .....	2
Exhaust System .....	6
Flywheel .....	7
Fuel Supply .....	4
Gasket Set - Engine .....	2
Gasket Set - Valve .....	2
Governor Spring .....	5
Ignition .....	5
Lubrication .....	2
Operator's Manual .....	2
Piston/Rings/Connecting Rod .....	3
Rewind Starter .....	8
Warning Label .....	2

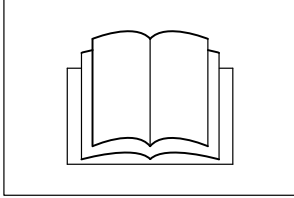


PRINTED IN U.S.A.

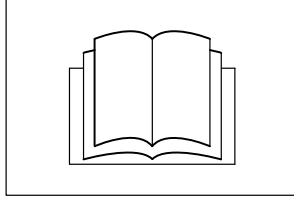
COPYRIGHT by BRIGGS & STRATTON CORPORATION  
All rights reserved. No part of this material may be reproduced or transmitted, in any form or by any means, electronic or mechanical, including photocopying, recording or by any information storage and retrieval system, without permission in writing from Briggs & Stratton Corporation.

# 10A900

1058 OPERATOR'S MANUAL



1330 REPAIR MANUAL

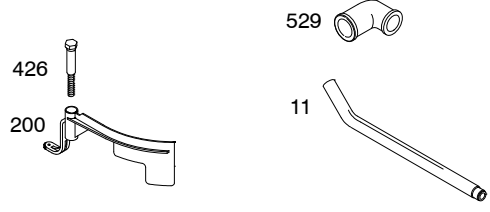
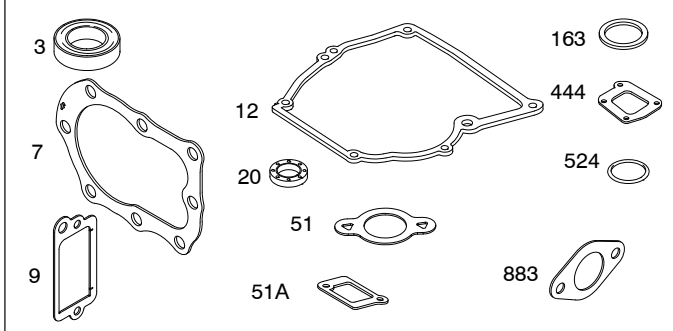


1319 WARNING LABEL

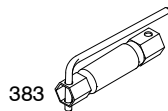
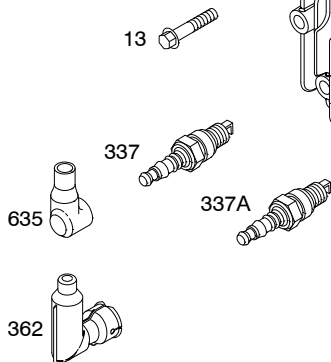
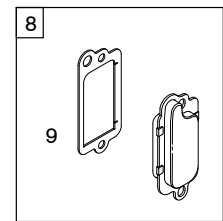
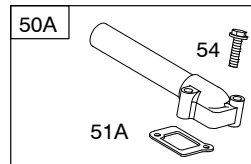
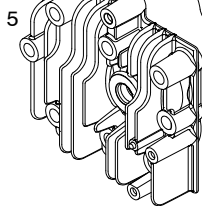
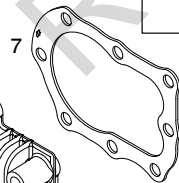
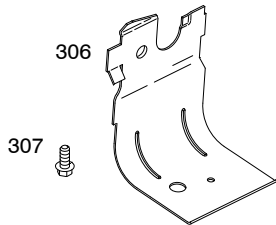
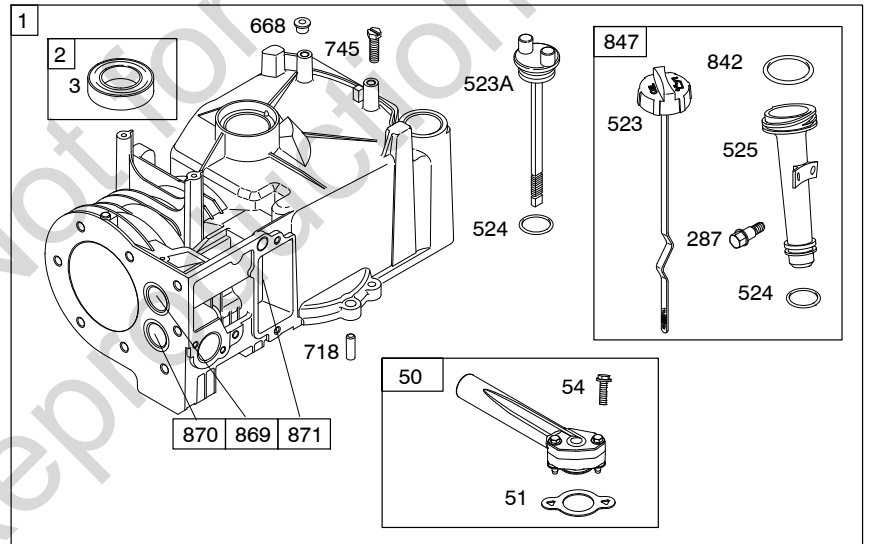
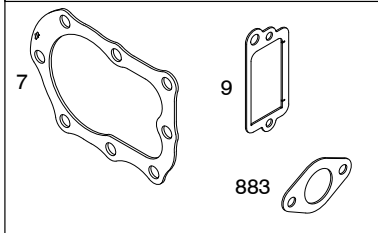
<b>WARNING</b>	
	Read and follow Operating Instructions before running engine.
	Gasoline is flammable. Allow engine to cool at least 2 minutes before refueling.
	Engines emit carbon monoxide, DO NOT run in enclosed area.
	Muffler area temperature may exceed 150°F. Do not touch hot parts.

**REQUIRED** when replacing parts with warning labels affixed.

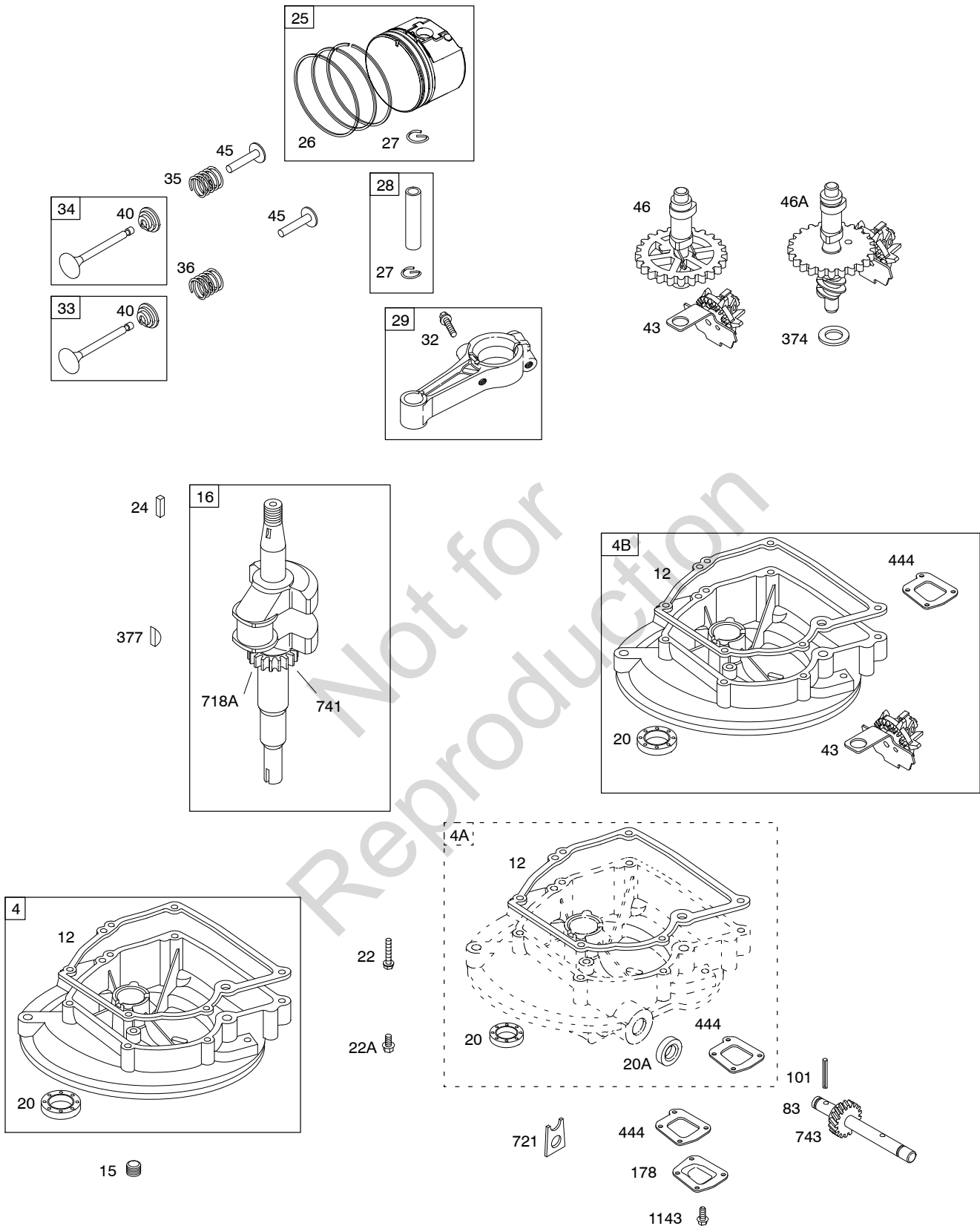
358 ENGINE GASKET SET

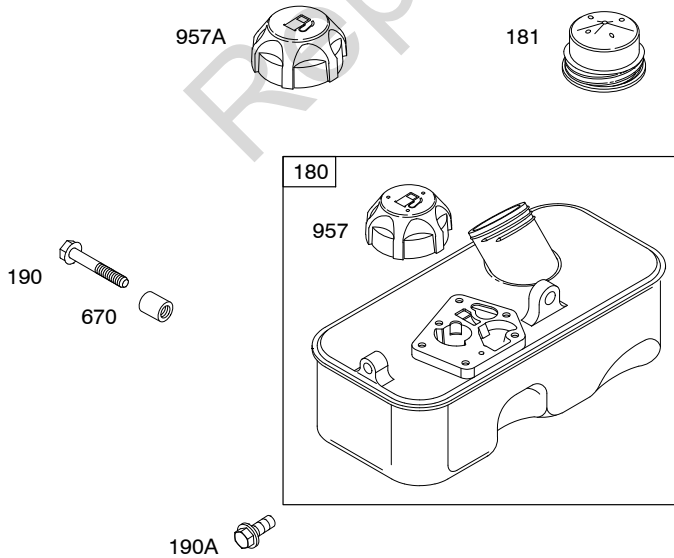
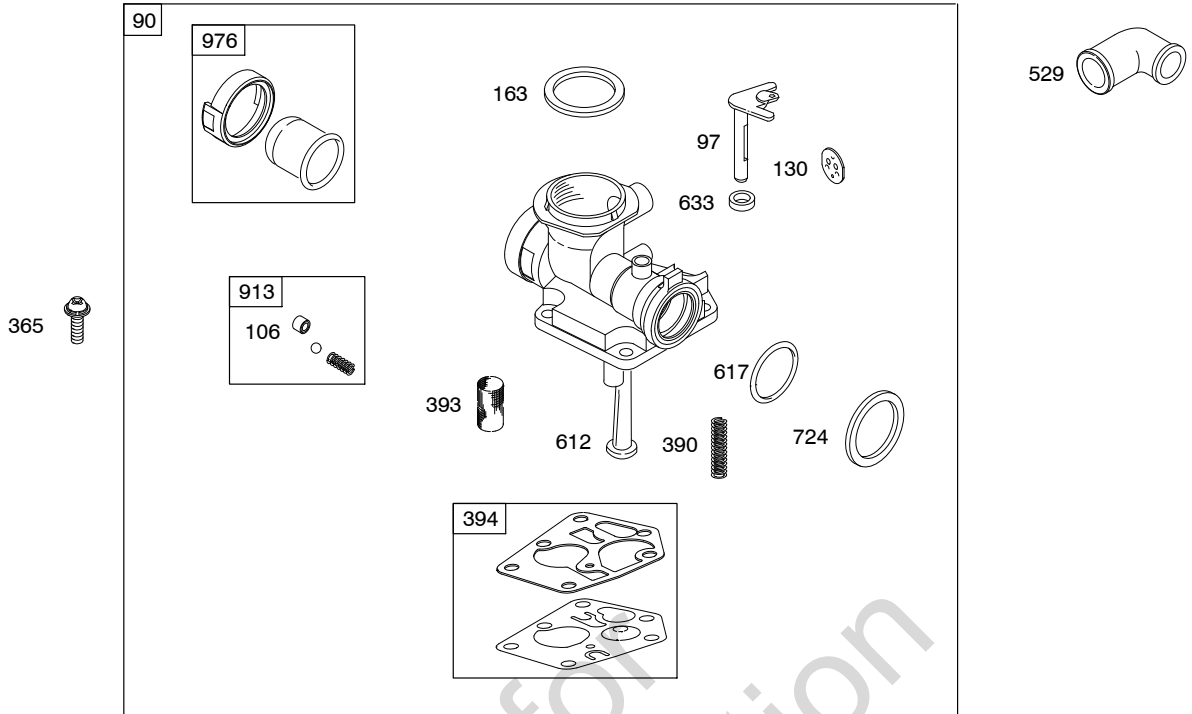


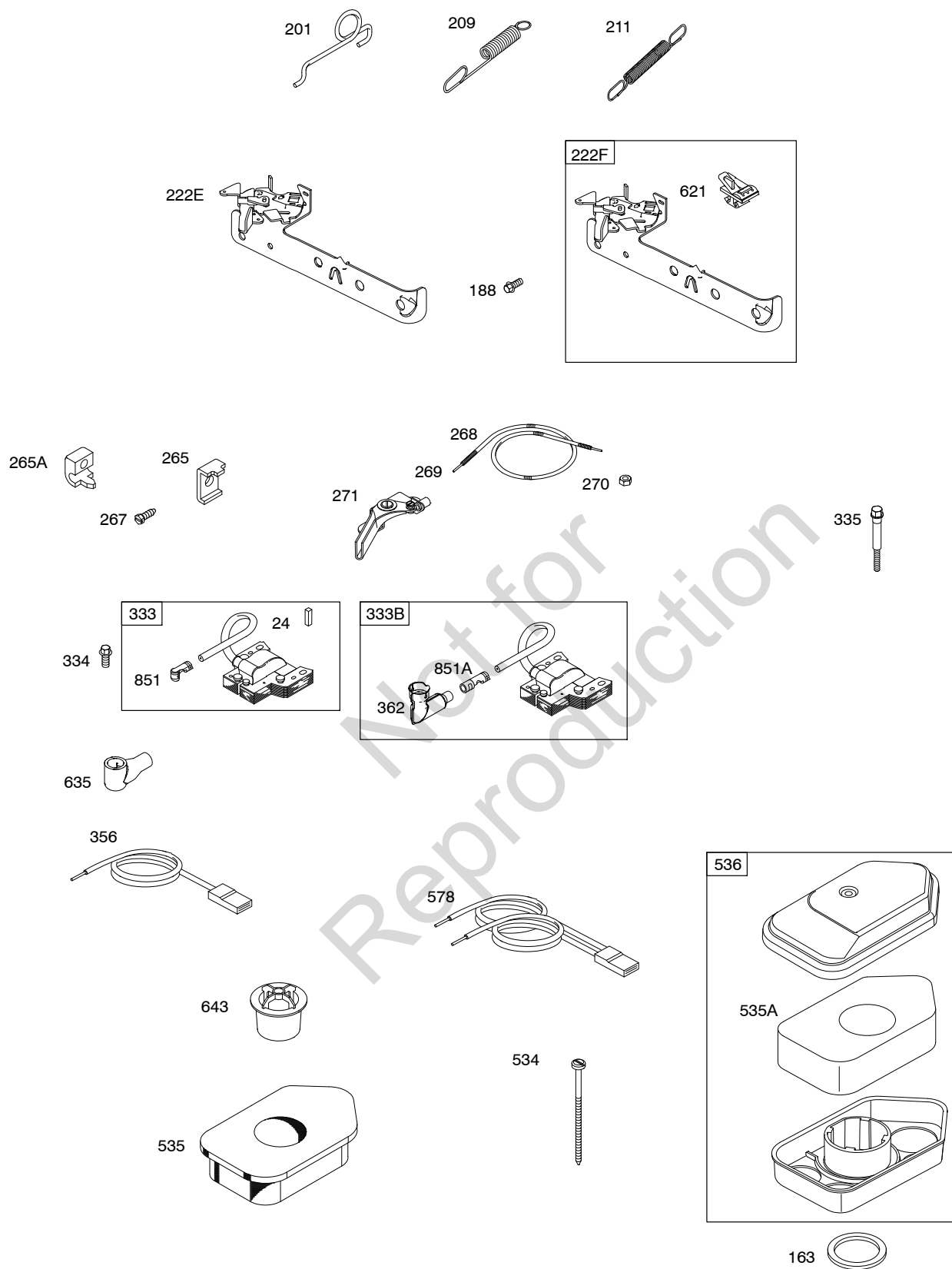
1095 VALVE GASKET SET



Illustrations cover a range of engines. Parts shown without corresponding text may not be used on your specific engine.  
 0669-2 Assemblies include all parts shown in frames. 07/10/2008



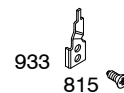
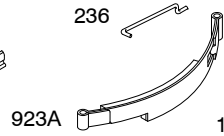
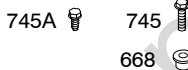
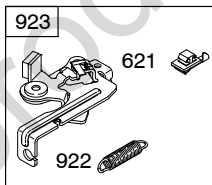
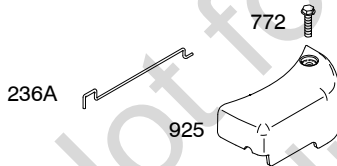
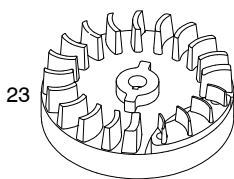
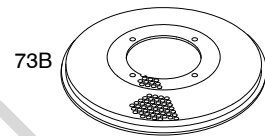
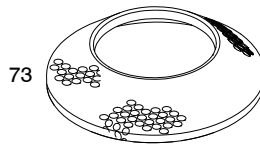
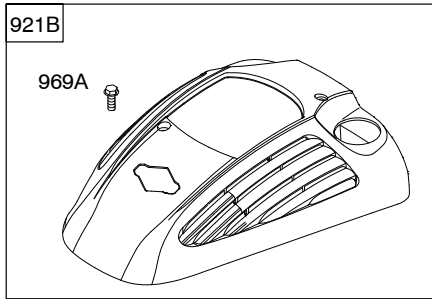
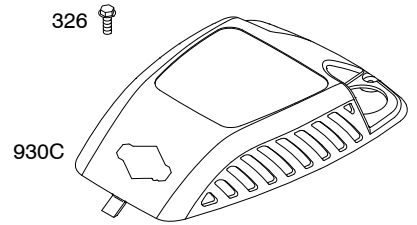
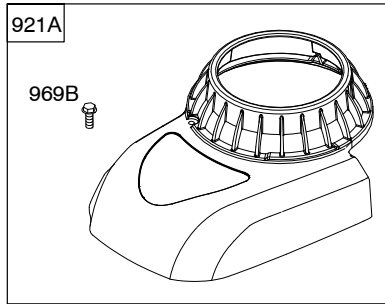
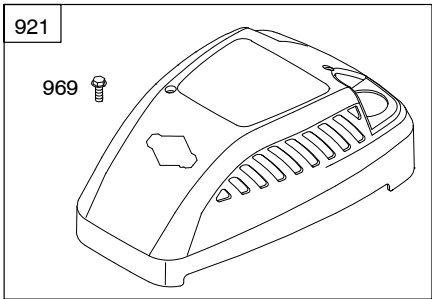




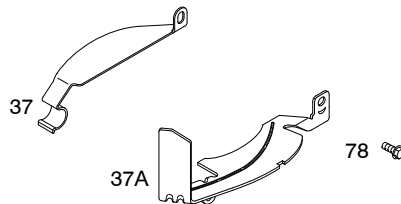
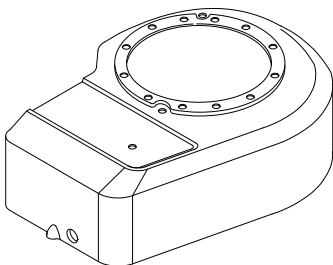
Illustrations cover a range of engines. Parts shown without corresponding text may not be used on your specific engine.  
 0669-5 Assemblies include all parts shown in frames. 07/10/2008



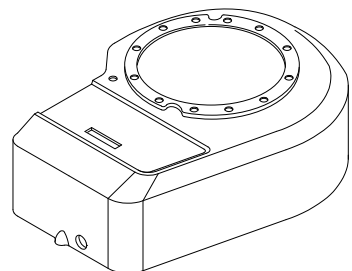
1036 EMISSIONS LABEL

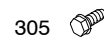
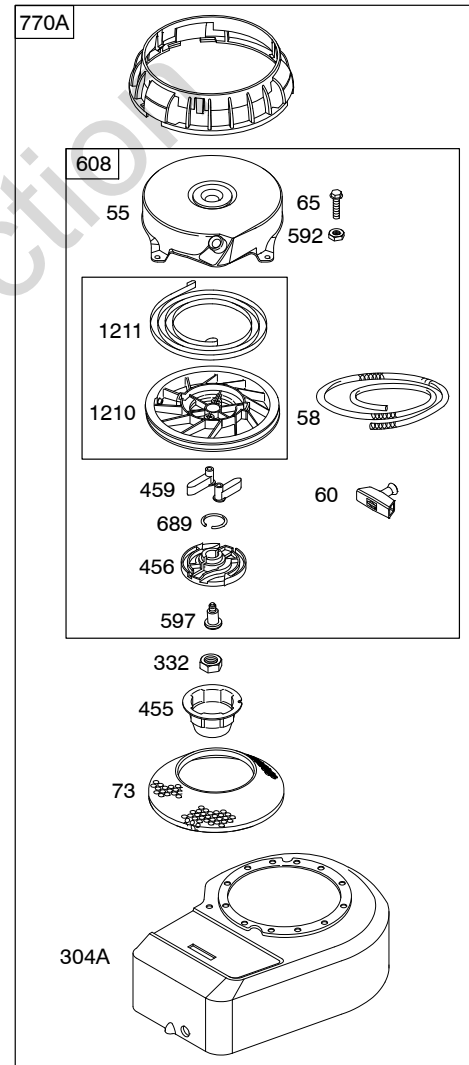
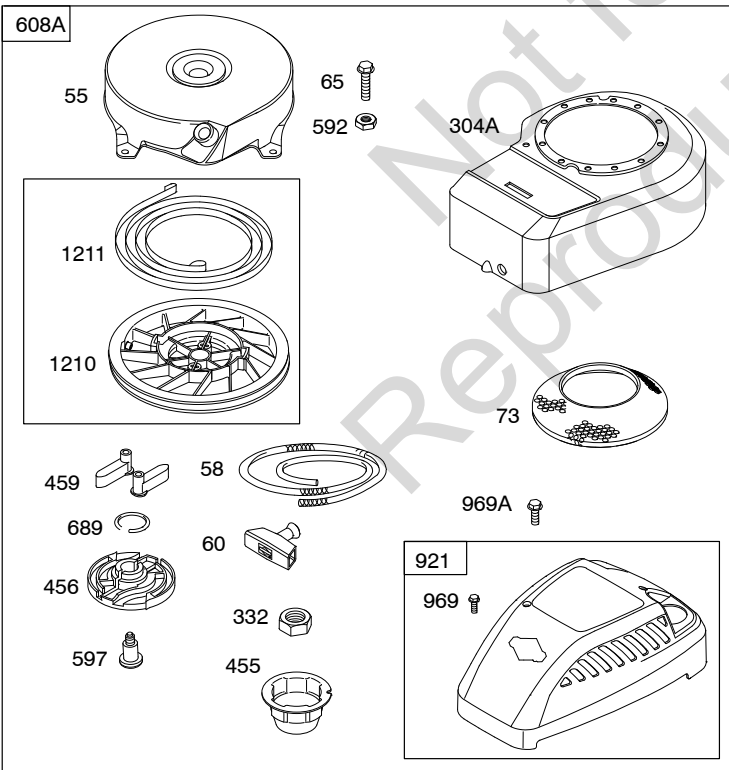
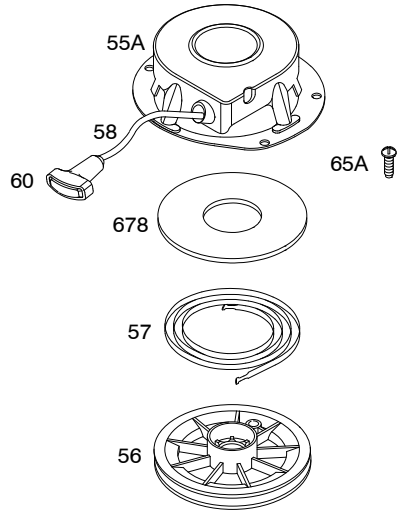
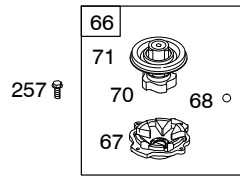
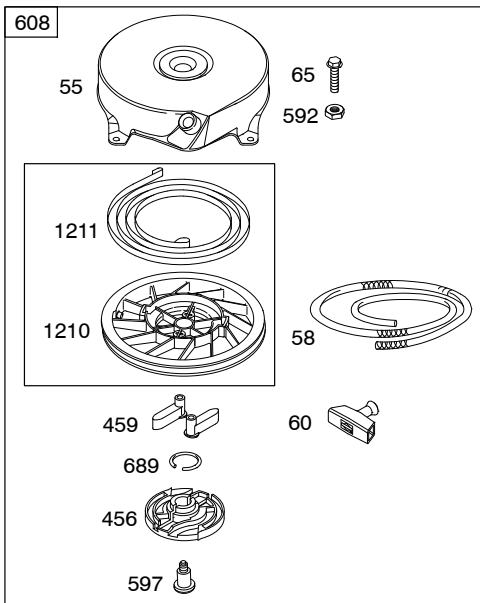


304



304A





REF. NO.	PART NO.	DESCRIPTION	REF. NO.	PART NO.	DESCRIPTION	REF. NO.	PART NO.	DESCRIPTION
1	699653	Cylinder Assembly	15	691680	Plug–Oil Drain		691472	Crankshaft
2	399269	Kit–Bushing/Seal (Magneto Side)	16	496838	Crankshaft			Used on Type No(s). 0219, 0479, 1019, 1615, 1650, 1651, 2001, 2004, 2005, 2007, 2008, 2010, 2011, 2027, 2028, 2031, 2034, 2035, 2050, 2064, 2067, 2072, 2075, 2087, 2092, 2101, 2107, 2124, 2126, 2130, 2132, 2135, 2142, 2143, 2145, 2146, 2148, 2149, 2151, 2153, 2164, 2171, 2189, 2190, 2234, 2250, 2255, 2256, 2257, 2258, 2260, 2262, 2263, 2264, 2265, 2267, 2268, 2269, 2271, 2273, 2277, 2280, 2284, 2289, 2290, 2292, 2293, 2295, 2298, 2299.
3	★299819S	Seal–Oil (Magneto Side)			----- <b>Note</b> ----- 692989 Crankshaft Used on Type No(s). 1605, 1618, 2029, 2083, 2090, 2140, 2180, 2233, 2252, 2253, 2254, 2259, 2261, 2279, 2285, 2286, 2291.			
4	698691	Sump–Engine (Used After Code Date 02111200). ----- <b>Note</b> ----- 395384 Sump–Engine (Used Before Code Date 02111300).			691406 Crankshaft Used on Type No(s). 0016, 0106, 0107, 0108, 0109, 0157, 0161, 0163, 0169, 0182, 0184, 0193, 0195, 0196, 0215, 0217, 0222, 0223, 0228, 0229, 0239, 0241, 0423, 0439, 0616.			
4A		Sump–Engine (NO LONGER AVAILABLE) Used on Type No(s). 0050, 0051, 0159, 0167, 0169, 0173, 0186, 0193, 0197, 0202, 0206, 0211, 0219, 0230, 0430, 0650, 0651, 1019, 1650, 1651, 2067, 2130, 2169, 2254, 2258, 2259, 2261, 2285.			496839 Crankshaft Used on Type No(s). 0018, 0156, 0183, 0190, 0233, 0240, 0483, 0505, 0506, 0618.			693472 Crankshaft Used on Type No(s). 2266.
4B	699084	Sump–Engine Used on Type No(s). 2266.			691471 Crankshaft Used on Type No(s). 0236, 0250, 1021, 1022, 1023, 1025, 1026, 1028, 1616, 2003, 2032, 2033, 2040, 2052, 2070, 2073, 2082, 2084, 2094, 2106, 2108, 2109, 2110, 2121, 2123, 2128, 2139, 2152, 2169, 2251, 2270, 2272, 2275, 2278, 2281, 2282, 2287, 2288, 2294, 2296, 2297.			695413 Crankshaft Used on Type No(s). 1024.
5	790169	Head–Cylinder				20	★391483S	Seal–Oil (PTO Side)
7	★Δ698717	Gasket–Cylinder Head				20A	★691952	Seal–Oil (PTO Side) (Auxiliary PTO)
8	791781	Breather Assembly				22	692551	Screw (Crankcase Cover/Sump) (1 1/4" Long)
9	★Δ695890	Gasket–Breather				22A	691108	Screw (Crankcase Cover/Sump) (3/4" Long)
10	691666	Screw (Breather Assembly)						
11	691245	Tube–Breather						
12	★692218	Gasket–Crankcase (.015" Thick) (Standard) ----- <b>Note</b> ----- ★270895 Gasket– Crankcase (.005" Thick) ★270896 Gasket– Crankcase (.009" Thick)						
13	691640	Screw (Cylinder Head)						

★ Engine Gasket Set–Reference 358

Δ Valve Gasket Set–Reference 1095

**Illustrations cover a range of engines. Parts shown without corresponding text may not be used on your specific engine.**  
**0669–9 Assemblies include all parts shown in frames. 07/10/2008**

# 10A900

REF. NO.	PART NO.	DESCRIPTION	REF. NO.	PART NO.	DESCRIPTION	REF. NO.	PART NO.	DESCRIPTION
<b>23</b>	<b>795549</b>	Flywheel ----- <b>Note</b> ----- <b>690843</b> Flywheel Used on Type No(s). 0156, 0157, 0161, 0190, 0198, 0208, 0215, 0233, 0240, 0505, 0506, 1023, 1024, 1605, 2032, 2082, 2090, 2108, 2109, 2233, 2257, 2263, 2265, 2266, 2270, 2281, 2282. <b>795695</b> Flywheel (Used After Code Date 08012900). Used on Type No(s). 2140. <b>690843</b> Flywheel (Used Before Code Date 08013000). Used on Type No(s). 2140.	<b>25</b>	<b>790908</b>	Piston Assembly (Standard) (Used After Code Date 04111400). ----- <b>Note</b> ----- <b>699657</b> Piston Assembly (Standard) (Used Before Code Date 04111500). ----- <b>792532</b> Piston Assembly (.020" Oversize) (Used After Code Date 96020500). <b>298906</b> Piston Assembly (.020" Oversize) (Used Before Code Date 96020600). ----- <b>298907</b> Piston Assembly (.030" Oversize) (Used Before Code Date 96020600).	<b>26</b>	<b>790909</b>	Ring Set (Standard) (Used After Code Date 04111400). ----- <b>Note</b> ----- <b>699658</b> Ring Set (Standard) (Used After Code Date 03080300 and Before Code Date 04111500). <b>498680</b> Ring Set (Standard) (Used After Code Date 96020500 and Before Code Date 03080400). <b>298982</b> Ring Set (Standard) (Used Before Code Date 96020600). ----- <b>795134</b> Ring Set (.020" Oversize) (Used After Code Date 04111400). <b>498682</b> Ring Set (.020" Oversize) (Used After Code Date 96020500 and Before Code Date 04111500). <b>298984</b> Ring Set (.020" Oversize) (Used Before Code Date 96020600). ----- <b>498683</b> Ring Set (.030" Oversize) (Used After Code Date 96020500 and Before Code Date 04111500).
<b>24</b>	<b>222698S</b>	Key-Flywheel				<b>27</b>	<b>691588</b>	Lock-Piston Pin
						<b>28</b>	<b>699659</b>	Pin-Piston (Standard) (Used After Code Date 03093000). ----- <b>Note</b> ----- <b>298909</b> Pin-Piston (Standard) (Used Before Code Date 03100100). <b>298908</b> Pin-Piston (.005" Oversize) (Used Before Code Date 03100100).

★ Engine Gasket Set-Reference 358

△ Valve Gasket Set-Reference 1095

**Illustrations cover a range of engines. Parts shown without corresponding text may not be used on your specific engine.**  
**0669-10 Assemblies include all parts shown in frames. 07/10/2008**

# 10A900

REF. NO.	PART NO.	DESCRIPTION	REF. NO.	PART NO.	DESCRIPTION	REF. NO.	PART NO.	DESCRIPTION
29	699654	Rod-Connecting	56	280439S	Pulley-Starter	90	794161	Carburetor
32	691664	Screw (Connecting Rod)	57	490179	Spring-Rewind Starter			(Used After Code Date 96051900).
33	296676	Valve-Exhaust	58	691921	Rope-Starter (70" Long)			----- Note -----
34	296677	Valve-Intake	58A	697316	Rope-Starter (88 5/8" Long)			497619 Carburetor (Used Before Code Date 96052000).
35	690520	Spring-Valve (Intake)	60	691915	Grip-Starter Rope	97	691931	Shaft-Throttle
36	690520	Spring-Valve (Exhaust)	65	690837	Screw (Rewind Starter)	101	691623	Pin-Shaft
37	690482	Guard-Flywheel (Carburetor Side)	65A	690338	Screw (Rewind Starter)	106	691901	Seat-Inlet
37A	691209	Guard-Flywheel (Muffler Side)	66	399671	Clutch-Starter	130	691190	Valve-Throttle
40	692194	Retainer-Valve	67	394897	Housing-Clutch	163	*271139S	Gasket-Air Cleaner
43	698690	Slinger-Governor/Oil (Used After Code Date 02110400). ----- Note ----- 691983 Slinger-Governor/Oil (Used Before Code Date 02110500).	68	691604	Ball-Clutch	178	690398	Cover-Drive Gear
45	691762	Tappet-Valve	70	691945	Ratchet-Clutch	180	494406	Tank-Fuel
46	691998	Camshaft	71	691359	Cover-Ratchet	181	493982S	Cap-Fuel Tank
46A	690644	Camshaft (Counterclockwise) ----- Note ----- 690645 Camshaft (Clockwise) Used on Type No(s). 0051, 0186, 0651, 1651.	73	699850	Screen-Rotating (Used After Code Date 97052500).	188	692198	Screw (Control Bracket)
50	699644	Manifold-Intake (Used After Code Date 03080300).	73B	691725	Screen-Rotating (Used Before Code Date 97052600).	190	691640	Screw (Fuel Tank) (1 3/4" Long)
50A	693446	Manifold-Intake (Used Before Code Date 03080400).	74	691627	Screw (Rotating Screen)	190A	691108	Screw (Fuel Tank) (9/16" Long)
51	*699649	Gasket-Intake (Used After Code Date 03080300).	75	691736	Washer (Flywheel)	200	691912	Blade-Governor
51A	270345S	Gasket-Intake (Used Before Code Date 03080400).	78	692198	Screw (Flywheel Guard)	201	690347	Link-Air Vane (1/2" Long)
54	691111	Screw (Intake Manifold)	81	691179	Lock-Muffler Screw			
55	692144	Housing-Rewind Starter	83	691240	Shaft-Auxiliary Drive Used on Type No(s). 0051, 0169, 0173, 0186, 0197, 0202, 0211, 0230, 0430, 0651, 1651, 2073, 2130, 2169. ----- Note ----- 690506 Shaft-Auxiliary Drive Used on Type No(s). 0050, 0167, 0219, 0650, 1019, 1650, 2067. 691249 Shaft-Auxiliary Drive Used on Type No(s). 0159, 0193, 0206, 2254, 2259, 2261, 2285.			
55A	393576	Housing-Rewind						

\* Engine Gasket Set-Reference 358

Δ Valve Gasket Set-Reference 1095

**Illustrations cover a range of engines. Parts shown without corresponding text may not be used on your specific engine.**  
**0669-11 Assemblies include all parts shown in frames. 07/10/2008**

# 10A900

REF. NO.	PART NO.	DESCRIPTION	REF. NO.	PART NO.	DESCRIPTION	REF. NO.	PART NO.	DESCRIPTION			
<b>209</b>	<b>690254</b>	Spring–Governor (Used After Code Date 96051900). ----- <b>Note</b> ----- <b>692211</b> Spring–Governor (Used Before Code Date 96052000). Used on Type No(s). 0015, 0016, 0018, 0050, 0051, 0106, 0107, 0108, 0109, 0158, 0161, 0167, 0168, 0169, 0175, 0181, 0182, 0183, 0184, 0187, 0193, 0194, 0195, 0196, 0197, 0202, 0203, 0205, 0211, 0213, 0215. <b>690250</b> Spring–Governor (Used After Code Date 96051900). Used on Type No(s). 0198, 0208, 0233, 0248, 0506, 2072, 2108. <b>691862</b> Spring–Governor (Used After Code Date 96051900). Used on Type No(s). 0156, 0157, 0240, 0505, 2233, 2257. <b>690252</b> Spring–Governor (Used After Code Date 96051900). Used on Type No(s). 0190. <b>691297</b> Spring–Governor (Used After Code Date 96051900). Used on Type No(s). 0163, 0172, 0232, 0242, 2028, 2072, 2132, 2142, 2143, 2148, 2149, 2164, 2255, 2268, 2279, 2282, 2288, 2289, 2292.									
				<b>262942</b>	Spring–Governor (Used Before Code Date 96052000). Used on Type No(s). 0156, 0157, 0187, 0190, 0198, 0208, 0505. <b>690251</b> Spring–Governor (Used After Code Date 96051900). Used on Type No(s). 0164, 0166, 0207, 0212, 0235, 0244, 0245, 0246, 0479, 1615, 1616, 1618, 1650, 1651, 2001, 2003, 2005, 2029, 2031, 2034, 2040, 2064, 2070, 2073, 2083, 2084, 2092, 2094, 2107, 2121, 2123, 2124, 2126, 2130, 2135, 2139, 2145, 2146, 2152, 2171, 2180, 2189, 2190, 2234, 2250, 2252, 2253, 2254, 2258, 2259, 2261, 2264, 2267, 2269, 2271, 2273, 2277, 2278, 2280, 2281, 2284, 2285, 2286, 2287, 2290, 2291, 2293, 2298, 2299. <b>692531</b> Spring–Governor (Used Before Code Date 96052000). Used on Type No(s). 0164, 0166, 0207, 0212. <b>691861</b> Spring–Governor (Used After Code Date 96051900). Used on Type No(s). 0161, 1028, 2032, 2082, 2109, 2263, 2270.						
								<b>262760</b> Spring–Governor (Used Before Code Date 96052000). Used on Type No(s). 0101, 0159, 0160, 0162, 0171, 0173, 0178, 0179, 0180, 0186, 0188, 0189, 0192, 0204, 0206. <b>692698</b> Spring–Governor Used on Type No(s). 1023, 1024, 1605, 2090, 2140, 2265, 2266. <b>211</b> <b>691859</b> Spring–Governed Idle <b>222E</b> <b>691446</b> Bracket–Control <b>222F</b> <b>691445</b> Bracket–Control <b>236</b> <b>691826</b> Link–Lockout (Used Before Code Date 97071400). Used on Type No(s). 0015, 0016, 0018, 0050, 0051, 0615, 0616, 0618, 0650, 0651, 2250. <b>236A</b> <b>691867</b> Link–Lockout (Used After Code Date 97071300). Used on Type No(s). 1615, 1616, 1618, 1650, 1651, 2050, 2052, 2152, 2250, 2278. <b>257</b> <b>691660</b> Screw (Starter Clutch) <b>265</b> <b>691024</b> Clamp–Casing <b>265A</b> <b>690798</b> Clamp–Casing <b>267</b> <b>691044</b> Screw (Casing Clamp) <b>268</b> <b>691025</b> Casing–Control Wire (72" Long) (Cut To Required Length) <b>269</b> <b>691026</b> Wire–Control (78" Long) (Cut To Required Length) <b>270</b> <b>691027</b> Nut (Control Wire Casing)			

★ Engine Gasket Set–Reference 358

△ Valve Gasket Set–Reference 1095

**Illustrations cover a range of engines. Parts shown without corresponding text may not be used on your specific engine.**  
**0669–12 Assemblies include all parts shown in frames. 07/10/2008**

REF. NO.	PART NO.	DESCRIPTION	REF. NO.	PART NO.	DESCRIPTION	REF. NO.	PART NO.	DESCRIPTION
271	691028	Lever-Control	332	690662	Nut (Flywheel)	374	691074	Washer (Camshaft)
287	691002	Screw (Dipstick Tube)	333	793281	Armature-Magneto	377	692193	Key-Woodruff (Used Before Code Date 97100600). Used on Type No(s). 0164, 0232.
300	692307	Muffler (Super Lo Tone)	333B	793352	Armature-Magneto	383	89838S	Wrench-Spark Plug
300A	394569S	Muffler (Round Lo Tone)	334	691061	Screw (Magneto Armature) (1" Long)	390	691839	Spring-Choke Diaphragm
300B	499493	Muffler (Catalyst) Used on Type No(s). 0219, 0236, 0250, 1019, 1020, 1021, 1022, 1025, 1026, 1028, 2280.	335	691107	Screw (Magneto Armature With Air Vane) (1 15/16" Long)	393	691837	Screen-Carburetor
304	691484	Housing-Blower (Compliance Engines) (Used Before Code Date 99010400). ----- Note ----- 692536 Housing-Blower (Non Compliance Engines) (Used Before Code Date 99010400).	337	802592S	Plug-Spark ----- Note ----- 802592S Plug-Spark (Used After Code Date 06073000). Used on Type No(s). 2008, 2010.	394	795083	Diaphragm-Carburetor (Used After Code Date 07080800). ----- Note ----- 495770 Diaphragm-Carburetor (Used Before Code Date 07080900).
304A	694236	Housing-Blower (Compliance Engines) (Used After Code Date 99010300). ----- Note ----- 694051 Housing-Blower (Non Compliance Engines) (Used After Code Date 99010300).	337A	697451	Plug-Spark Used on Type No(s). 1615, 1616, 1618, 1650, 1651, 2004, 2007, 2028, 2033, 2034, 2050, 2052, 2072, 2073, 2075, 2082, 2084, 2087, 2094, 2106, 2108, 2110, 2135, 2143, 2153, 2164, 2250, 2262, 2270, 2275, 2282, 2293, 2294, 2295, 2296, 2297, 2298, 2299. ----- Note ----- 697451 Plug-Spark (Used Before Code Date 06073100). Used on Type No(s). 2008, 2010.	426	691107	Screw (Governor Blade)
305	692198	Screw (Blower Housing)	356	692390	Wire-Stop	444	*691868	Gasket-Drive Gear Cover
306	690400	Shield-Cylinder (Used Before Code Date 04071400).	358	794209	Gasket Set-Engine	455	691236	Cup-Flywheel
307	690345	Screw (Cylinder Shield) (Used Before Code Date 04071400).	362	793351	Shield-Spark Plug (Snap In Style) Used on Type No(s). 2011. ----- Note ----- 793351 Boot-Spark Plug (Snap In Style) (Used After Code Date 06073000). Used on Type No(s). 2008, 2010.	456	692299	Plate-Pawl Friction
326	694046	Screw (Rewind Guard) (2 1/4" Long) (Used After Code Date 99010300). ----- Note ----- 691141 Screw (Rewind Guard) (1/2" Long) (Used Before Code Date 99010400).	363	19069	Puller-Flywheel	459	281505S	Pawl-Ratchet
			365	790029	Screw (Carburetor)	523	692040	Dipstick
						523A	691913	Dipstick Used on Type No(s). 2027, 2034, 2190.
						524	*691876	Seal-Dipstick Tube
						525	691320	Tube-Dipstick
						529	692189	Grommet
						534	691417	Screw (Air Cleaner)
						535	272235S	Filter-Air Cleaner Foam (Used Before Code Date 02090100).
						535A	698369	Filter-Air Cleaner Foam (Used After Code Date 02083000).
						536	698472	Cleaner-Air
						578	398153	Wire Assembly Used on Type No(s). 0015, 0016, 0018, 0050, 0051, 0615, 0616, 0618, 0650, 0651, 1615, 1616, 1618, 1650, 1651, 2050, 2052, 2152, 2250, 2278, 2296.
						592	690800	Nut (Rewind Starter)

\* Engine Gasket Set-Reference 358

Δ Valve Gasket Set-Reference 1095

**Illustrations cover a range of engines. Parts shown without corresponding text may not be used on your specific engine.**  
**0669-13 Assemblies include all parts shown in frames. 07/10/2008**

# 10A900

REF. NO.	PART NO.	DESCRIPTION	REF. NO.	PART NO.	DESCRIPTION	REF. NO.	PART NO.	DESCRIPTION
597	691696	Screw (Pawl Friction Plate)	676	393756	Deflector-Muffler (Side Out)	815	690324	Screw (Band Brake Pivot)
608	499706	Starter-Rewind (88 5/8" Rope) (Used After Code Date 97071300).	676A	397931	Deflector-Muffler (Direct Out) Used on Type No(s). 0159, 2254, 2259, 2261, 2285.	832	699299	Guard-Muffler (Super Lo Tone)
608A	499926	Starter-Rewind (Non Compliance Engines) (70" Rope)	676B	497682	Deflector-Muffler Used on Type No(s). 0219, 0236, 0250, 1019, 1020, 1021, 1022, 1025, 1026, 1028, 2280.	832A	699670	Guard-Muffler (Round Lo Tone)
612	496046S	Tube-Pick Up	677	690661	Screw (Muffler Deflector)	832B	699300	Guard-Muffler Used on Type No(s). 0219, 0236, 0250, 1019, 1020, 1021, 1022, 1025, 1026, 1028, 2280.
613	691413	Screw (Muffler) (Super Lo Tone)	678	490817	Spacer-Rewind	832C	790743	Guard-Muffler Used on Type No(s). 2007, 2011, 2027, 2033, 2034, 2035, 2052, 2072, 2082, 2087, 2106, 2108, 2109, 2110, 2135, 2143, 2153, 2164, 2250, 2262, 2270, 2275, 2293, 2294, 2295, 2298, 2299.
613A	691114	Screw (Muffler) (Catalyst) Used on Type No(s). 0219, 0236, 0250, 1019, 1020, 1021, 1022, 1025, 1026, 1028, 2280.	689	691855	Spring-Friction	832D	790744	Guard-Muffler Used on Type No(s). 2004, 2008, 2010.
617	270344S	Seal-O Ring (Intake Manifold)	718	690959	Pin-Locating (Cylinder)	836	690664	Screw (Muffler Guard) (13/32" Long)
621	692310	Switch-Stop	718A	499047	Pin-Locating (Crankshaft)	836A	790745	Screw (Muffler Guard) (1/2" Long)
633	691321	Seal-Choke/Throttle Shaft (Throttle)	721	690397	Stop-Shaft	836B	691125	Screw (Muffler Guard) (5/8" Long) Used on Type No(s). 2004, 2007, 2011, 2027, 2033, 2034, 2035, 2052, 2072, 2082, 2087, 2106, 2108, 2109, 2110, 2135, 2143, 2153, 2164, 2250, 2262, 2270, 2275, 2293, 2294, 2295, 2298, 2299.
635	66538S	Boot-Spark Plug ----- Note ----- 66538S Boot-Spark Plug (Used Before Code Date 06073100). Used on Type No(s). 2008, 2010.	724	697478	Retainer-Seal	842	*691870	Seal-O Ring (Dipstick Tube)
643	691911	Retainer-Air Filter (Used Before Code Date 97100600).	729	690586	Clip-Wire			
668	692889	Spacer	741	691805	Gear-Timing			
670	691633	Spacer-Fuel Tank (Used After Code Date 97071300). ----- Note ----- 691631 Spacer-Fuel Tank (Used Before Code Date 97071400).	743	691772	Gear-Drive ----- Note ----- 690516 Gear-Drive Used on Type No(s). 0051, 0186, 0651, 1651.			
			745	691146	Screw (Brake) (7/8" Long)			
			745A	690859	Screw (Brake) (1/2" Long)			
			770A	499915	Kit-Rewind/Blower Housing (Compliance Engines) (Used Before Code Date 97100600).			
			772	691111	Screw (Linkage Cover) (1 1/8" Long) ----- Note ----- 691183 Screw (Linkage Cover) (3/4" Long)			
			772A	690345	Screw (Linkage Cover) (1/2" Long)			

★ Engine Gasket Set-Reference 358

△ Valve Gasket Set-Reference 1095

Illustrations cover a range of engines. Parts shown without corresponding text may not be used on your specific engine.  
0669-14 Assemblies include all parts shown in frames. 07/10/2008

# 10A900

REF. NO.	PART NO.	DESCRIPTION	REF. NO.	PART NO.	DESCRIPTION	REF. NO.	PART NO.	DESCRIPTION
847	691440	Dipstick/Tube Assembly	921B	793973	Cover-Blower Housing Used on Type No(s). 2008, 2011, 2035.	930C	691932	Guard-Rewind
851	493880S	Terminal-Spark Plug				933	690428	Pivot-Band Brake
851A	692424	Terminal-Spark Plug	922	692135	Spring-Brake (Used After Code Date 97071300).	957	497929S	Cap-Fuel Tank
869	699641	Seat-Valve (Intake) (Used After Code Date 03080300).				957A	692050	Cap-Fuel Tank Used on Type No(s). 0171, 0226, 0426, 2126, 2180, 2189, 2252, 2259, 2285, 2286.
		----- <b>Note</b> ----- <b>691701</b> Seat-Valve (Intake) (Used Before Code Date 03080400).						
870	699642	Seat-Valve (Exhaust) (Used After Code Date 03080300).	922A	691809	Spring-Brake (Used Before Code Date 97071400).	969	691698	Screw (Blower Housing Cover) (1/2" Long)
		----- <b>Note</b> ----- <b>691702</b> Seat-Valve (Exhaust) (Used Before Code Date 03080400).	923	691487	Brake (Used After Code Date 97071300).	969A	694046	Screw (Blower Housing Cover) (2 1/4" Long)
871	699643	Bushing-Valve Guide (Exhaust Valve) (Used After Code Date 03080300).				969B	692523	Screw (Blower Housing Cover) (2/3" Long) Used on Type No(s). 2007, 2027, 2028, 2034, 2180, 2190.
		----- <b>Note</b> ----- <b>231348</b> Bushing-Valve Guide (Exhaust Valve) (Used Before Code Date 03080400).	923A	394867	Brake (Used Before Code Date 97071400).	976	694394	Primer-Carburetor Label-Emissions (Available From A Briggs & Stratton Authorized Dealer)
		<b>63709</b> Bushing-Valve Guide (Intake Valve)	925	691349	Cover-Linkage (Used After Code Date 97071300).	1036		
883	★△691880	Gasket-Exhaust				1058	277038	Operator's Manual
913	494409	Seat-Check Valve				1095	498526	Gasket Set-Valve
921	694044	Cover-Blower Housing				1143	691141	Screw (Drive Gear Cover)
921A	699796	Cover-Blower Housing Used on Type No(s). 2007, 2027, 2028, 2034, 2180, 2190.				1208	690859	Screw (Brake Bracket)
						1210	499901	Pulley/Spring Assembly (Pulley)
						1211	499901	Pulley/Spring Assembly (Spring)
						1319	794467	Label-Warning
						1330	270962	Repair Manual

★ Engine Gasket Set-Reference 358

△ Valve Gasket Set-Reference 1095

**Illustrations cover a range of engines. Parts shown without corresponding text may not be used on your specific engine.**  
0669-15 **Assemblies include all parts shown in frames.** 07/10/2008