

Proof Copy

sent to Fred Chapo 2/21/96

Two-Stage, Aluminum Industrial Class, Electric Air Compressors

TOPS™ – Thermal Overload Protection System **NOTE:** These units **DO NOT** require a magnetic starter.

De deux étapes, aluminium de classe Industrielle, compresseurs d'air électriques
TOPS™ – Dispositif de protection contre la surcharge thermique.

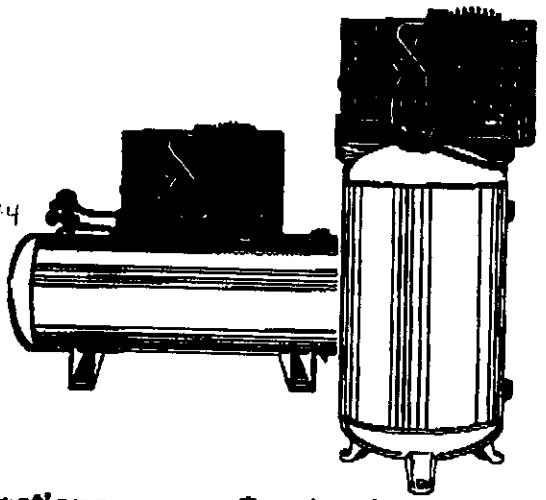
REMARQUE: Ces compresseurs ne nécessitent pas l'installation d'un démarreur magnétique.

De dos etapas, de aluminio de tipo, compresores de aire eléctricos
TOPS™ – Sistema de protección contra sobrecargas térmicas.

NOTA: Estas unidades no requieren la instalación de un arrancador magnético.



*A 4656
A 4620
A 4696
A 4699
Supplement sheet 205-C044
B4651*



Specification Chart **Tableau des spécifications** **Cuadro de especificaciones**

| MODEL NO. (MODÈLE) (MODELO) | H.P. (CV) | TANK CAPACITY GALLONS (CAPACITÉ DU RÉSERVOIR - LITRES) (CAPACIDAD DEL TANQUE - LITROS) | VOLTAGE/ AMPS/PHASE (TENSION/ AMPS/PHASE) (VOLTAJE/ AMP/FASE) | CFM (l/min) @ 100 PSI (6,9 bar) | CFM (l/min) @ 175 PSI (12 bar) | KICK-IN PRESSURE (PRESSION D'OUVERTURE) (PRESION DE CONEXION) | KICK-OUT PRESSURE (PRESSION DE FERM.) (PRESION DE DESCONEXION) |
|-----------------------------------|--------------|---|--|--|---|--|---|
| 51-AT18-80V | 5 | Vert 60 (227) | 208-230/22/1 | 15 (425) | 13 (368) | 145 (10 bar) | 175 (12 bar) |
| 05Z060V2A1 | | Horiz 80 (227) | | | | | |
| 05Z060H2A1 | | Horiz 80 (303) | | | | | |
| 51-AT24-80H | | | | | | | |
| 05Z080H2A1 | | Vert 80 (303) | | 18 (510) | 16 (453) | | |
| D5180 | | | | | | | |
| 51-AT24-80V | | | | | | | |
| 05Z080V2A1 | | | | | | | |
| 06Z060V2A1 | 6.5 | Vert 60 (227) | 230/29/1 | 19 (538) | 17 (481) | | |
| 06Z080V2A1 | | | | | | | |
| 71-AT32-80V | 7.5 | Vert 80 (303) | 230/29/1 | 28 (736) | 24 (680) | | |
| 07Z080V2A1 | | | | | | | |
| 7580B | | | | | | | |

? Questions? See back page. Questions ? Consultez la page final. ¿Preguntas? Vea la página final.

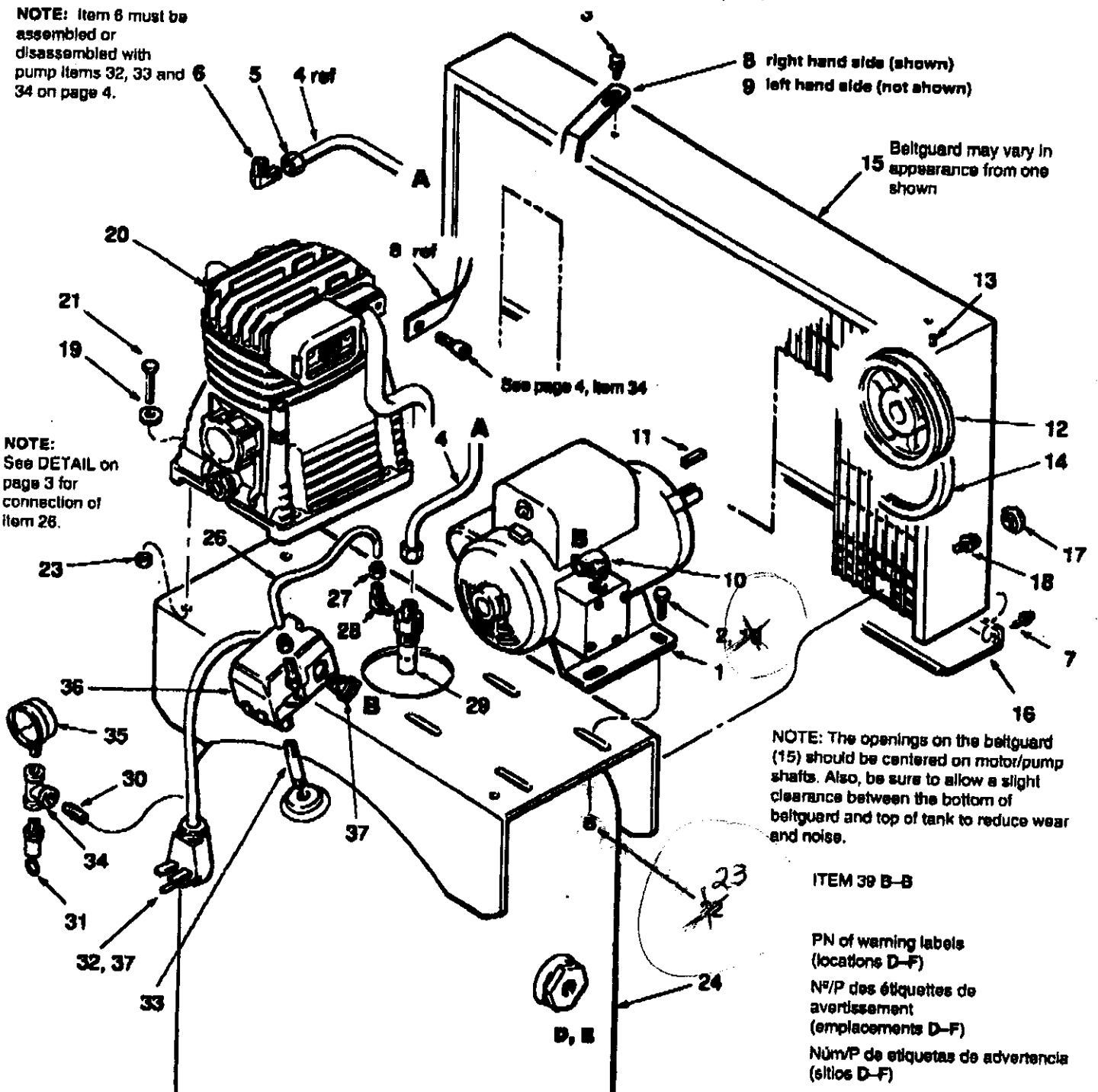
PARTS DRAWING

DESSIN DES PIÈCES

ESQUEMA DE LAS PIEZAS

5 HP STATIONARY - 60 gallon - A.S.M.E. - vertical or horizontal tank with B4900 pump

NOTE: Item 6 must be assembled or disassembled with pump items 32, 33 and 34 on page 4.



NOTE: The openings on the beltguard (15) should be centered on motor/pump shafts. Also, be sure to allow a slight clearance between the bottom of beltguard and top of tank to reduce wear and noise.

ITEM 39 B-B

PN of warning labels
(locations D-F)
N°/P des étiquettes de
avertissement
(emplacements D-F)
Núm/P de etiquetas de advertencia
(sitios D-F)

PARTS LIST

LISTE DE PIÈCES

LISTA DE LAS PIEZAS

5 HP STATIONARY 60 gallon A.S.M.E. vertical or horizontal tank with B4900 pump

| Item Art Art | Part No N° / P Num / P | Qty Qté Cant | Description | Description | Description |
|--------------------|---------------------------------|--------------------|-----------------------------|--------------------------|--------------------------|
| 1 | 160-0236 188-0208 | 1 | Motor, 5 H.P. | Moteur | Motor |
| 2 | 059-0002 059-1007 | 4 | Bolt, 3/8 x 1" | Boulon | Perno |
| 3 | 059-0012 | 2 | Bolt, 5/16 x .5" | Boulon | Perno |
| 4 | ■ | 1 | Tube, transfer A-A | Tube | Tubo |
| 5 | 058-0016 | 2 | Compression nut | Écrou de compression | Tuerca de compresión |
| 6 | 064-0002 | 1 | Elbow | Coude | Codo |
| 7 | 061-0005 | 3 | Screw | Vis | Tornillo |
| 8 | 114-0187 | 1 | Bracket, right hand | Support | Soporte |
| 9 | 114-0188 | 1 | Bracket, left hand | Support | Soporte |
| 10 | ■ | 1 | Strain relief, 90° | Soulagement de traction | Aliviador de esfuerzo |
| 11 | 146-0016 | 1 | Key | Clé | Chaveta |
| 12 | 006-0086 | 1 | Pulley | Poulie | Polea |
| 13 | 061-0009 | 1 | Setscrew | Vis d'arrêt | Tomillo fijador |
| 14 | 007-0043 | 1 | Belt | Courroie | Correa |
| 15 | 142-0040 | 1 | Beltguard | Garant de courroie | Protección de correa |
| 16 | 125-0104 | 1 | Underpan | Tiroir | Bandeja |
| 17 | 093-0005 | 3 | Plug, button | Bouchon | Tapón |
| 18 | 059-0164 | 3 | Screw, 3/8-16 x .75" | Vis | Tomillo |
| 19 | 080-0023 | X 4 | Washer | Rondelle | Arandela |
| 20 | 040-0205 | 1 | Pump, B4900 (Less flywheel) | Pompe | Bomba |
| 21 | 059-0015 | 4 | Bolt, 5/16 x 2" | Boulon | Perno |
| 22 | 058-6699 | 4 | Nut, 3/8" | Écrou | Tuerca |
| 23 | 058-0005 | X 3 | Nut, 5/16" | Écrou | Tuerca |
| 24 | ■ | 1 | Tank assembly | Ensemble du réservoir | Conjunto de tanque |
| 25 | 072-0001 | 1 | Petcock | Robinet de décompression | Llave de desague |
| 26 | ■ | 1 | Tube, bleeder | Tube | Tubo |
| 27 | 058-0017 | 2 | Compression nut | Écrou de compression | Tuerca de compresión |
| 28 | ■ | 1 | Elbow | Coude | Codo |
| 29 | 031-0080 | 1 | Valve, check | Soupape | Válvula |
| 30 | ■ | 1 | Nipple | Manchon fileté | Niple |
| 31 | 136-0007 | 1 | Valve, pressure relief | Soupape | Válvula |
| 32 | 026-0147 | 1 | Cord, power | Câble | Cordón |
| 33 | ■ | 1 | Nipple, 1/4" NPT x 2.5" lg | Manchon fileté | Niple |
| 34 | 089-0004 | 1 | Tee | Pièce en T | T |
| 35 | 032-0025 | 1 | Gauge | Manomètre | Manómetro |
| 36 | 034-0107 | 1 | Switch, pressure | Interrupteur | Interruptor |
| 36a | 136-0040 | 1 | Valve, unloader | includ les élément 36a | incluye los artículo 36a |
| 37 | ■ | 1 | Strain relief, straight | Soulagement de traction | Aliviador de esfuerzo |
| 38 | 062-0035 | 2 | Plug, 1/4" NPT | Bouchon | Tapón |
| 39 | ■ | 1 | Cord, interconnect B-B | Câble | Cordón |

Item Part #

805Z060V2A15A
 C05Z060V2A15A
 C05Z060V2A15A
 551-AT18-80V
 551-AT18F-80V

UNLOADER VALVE DETAIL
 Description des pièces de la soupape de purge
 Detalle de la válvula de purga

PARTS LIST

LISTE DE PIÈCES

LISTA DE LAS PIEZAS

PUMP B4900 040-0205

POMPE B4900 040-0205

BOMBA B4900 040-0205

| Item Art Art | Part No N° / P Núm / P | Qty Qté Cant | Description | Description | Description | | | |
|-------------------------------------|------------------------------|--------------------|---|---|--|-------------------------------------|--|--|
| 1 | 050-0036 | 1 | Cylinder..... | Cylindre..... | Cilindro | | | |
| 2 | 054-0146 | 1 | Ring set..... | Jeu d'anneaux..... | Juego de reparación | | | |
| 3 | 048-0083 | 1 | Piston assy..... | Ensemble du piston..... | Conjunto de pistón | | | |
| 4 | 047-0064 | 2 | Rod..... <i>includes item 4a, bolt, nut & splash rod</i> | Tige..... <i>inclut les élément 4a, boulon, Écrou & tige de dispersion</i> | Varilla..... <i>incluye los artículo 4a, perno, tuerca & varilla de salpicadura</i> | | | |
| 4a | 051-0066 | 2 pr | Insert..... | Pièce rapportée..... | Inserto | | | |
| 5 | 053-0056 | 1 | Crankshaft..... | Vitrebrequin..... | Cigüeñal | | | |
| 6 | 059-0035 | 6 | Bolt..... | Boulon..... | Perno | | | |
| 7 | 056-0029 | 1 | Breather..... | Renillard..... | Respiradero | | | |
| 7a | 046-0254 | 1 | O-ring..... | Joint torqué..... | Anillo tórico | | | |
| 8 | 051-0087 | 2 | Bearing..... | Roulement..... | Cojinete | | | |
| 9 | 046-0216 | 2 | Gasket..... | Joint..... | Empaquetadura | | | |
| 10 | 046-0217 | 1 | Seal..... | Joint..... | Sello | | | |
| 11 | 077-0097 | 1 | Cover..... | Couvercle..... | Tapa | | | |
| 12 | 059-0195 | 8 | Bolt..... | Boulon..... | Perno | | | |
| 16 | 049-0036 | 1 | Crankcase..... | Carter..... | Cárter | | | |
| must be purchased separately | | | doit être acheté séparément | | | se debe comprar por separado | | |
| 13 | 044-0052 | 1 | Flywheel..... | Volant-moteur..... | Volante | | | |
| 14 | 060-0079 | 1 | Washer..... | Rondelle..... | Arandela | | | |
| 15 | 069-0191 | 1 | Bolt..... | Boulon..... | Perno | | | |
| 17 | 046-0212 | 1 | Gasket..... | Joint..... | Empaquetadura | | | |
| 18 | 061-0044 | 8 | Bolt..... | Boulon..... | Perno | | | |
| 19 | 077-0095 | 1 | Base..... | Base..... | Base | | | |
| 20 | 060-0080 | 1 | Washer..... | Rondelle..... | Arandela | | | |
| 21 | 059-0196 | 1 | Bolt..... | Boulon..... | Perno | | | |
| 22 | 032-0044 | 1 | Sight glass..... | Visueur..... | Mirilla de vidrio | | | |
| 23 | 077-0096 | 1 | Cover..... | Couvercle..... | Tapa | | | |
| 24 | 046-0213 | 1 | Gasket..... | Joint..... | Empaquetadura | | | |
| 25 | 048-0064 | 1 | Piston assy..... | Ensemble du piston..... | Conjunto de pistón | | | |
| 26 | 054-0147 | 1 | Ring set..... | Jeu d'anneaux..... | Juego de reparación | | | |
| 27 | 046-0214 | 1 | Gasket..... | Joint..... | Empaquetadura | | | |
| 28 | 043-0140 | 1 | Valve plate assy..... <i>includes item 28a</i> | Ensemble de la plaque de soupape..... <i>inclut les élément 28a</i> | Conjunto de placa de válvula <i>incluye los artículo 28a</i> | | | |
| 28a | 046-0210 | 1 | Gasket..... | Joint..... | Empaquetadura | | | |
| 29 | 046-0215 | 1 | Gasket..... | Joint..... | Empaquetadura | | | |
| 30 | 042-0072 | 1 | Head..... | Tête..... | Cabezal | | | |
| 31 | 059-0194 | 1 | Bolt..... | Boulon..... | Perno | | | |
| 32 | 046-0219 | 3 | Gasket..... | Joint..... | Empaquetadura | | | |
| 33 | 082-0019 | 2 | Adapter..... | Adaptateur..... | Adaptador | | | |
| 34 | 059-0130 | 6 | Bolt..... | Boulon..... | Perno | | | |
| 35 | 059-0251 | 2 | Bolt..... | Boulon..... | Perno | | | |
| 36 | 082-0017 | 1 | Tube, includes item 36a..... | Tube, inclut les élément 36a..... | Tubo, incluye los artículo 36a | | | |
| 36a | 136-0049 | 1 | Valve, pressure relief..... | Soupape..... | Válvula | | | |
| 37 | 019-0138 | 1 | Air filter assy..... <i>includes item 37a</i> | Ensemble de filtre à air..... <i>inclut les élément 37a</i> | Conjunto de filtro de aire <i>incluye los artículo 37a</i> | | | |
| 37a | 019-0139 | 1 | Element..... | Élément..... | Elemento | | | |

AVAILABLE SERVICE KITS

must be purchased separately

doit être acheté séparément

se debe comprar por separado

046-0211

Gaskets.....
*includes items 9,
17, 24, 27, 28a, 29
& 32*

Joint.....
*inclut les éléments 9,
17, 24, 27, 28a, 29
et 32*

Empaquetadura.....
*incluye los artículos 9,
17, 24, 27, 28a, 29
y 32*

165-0079

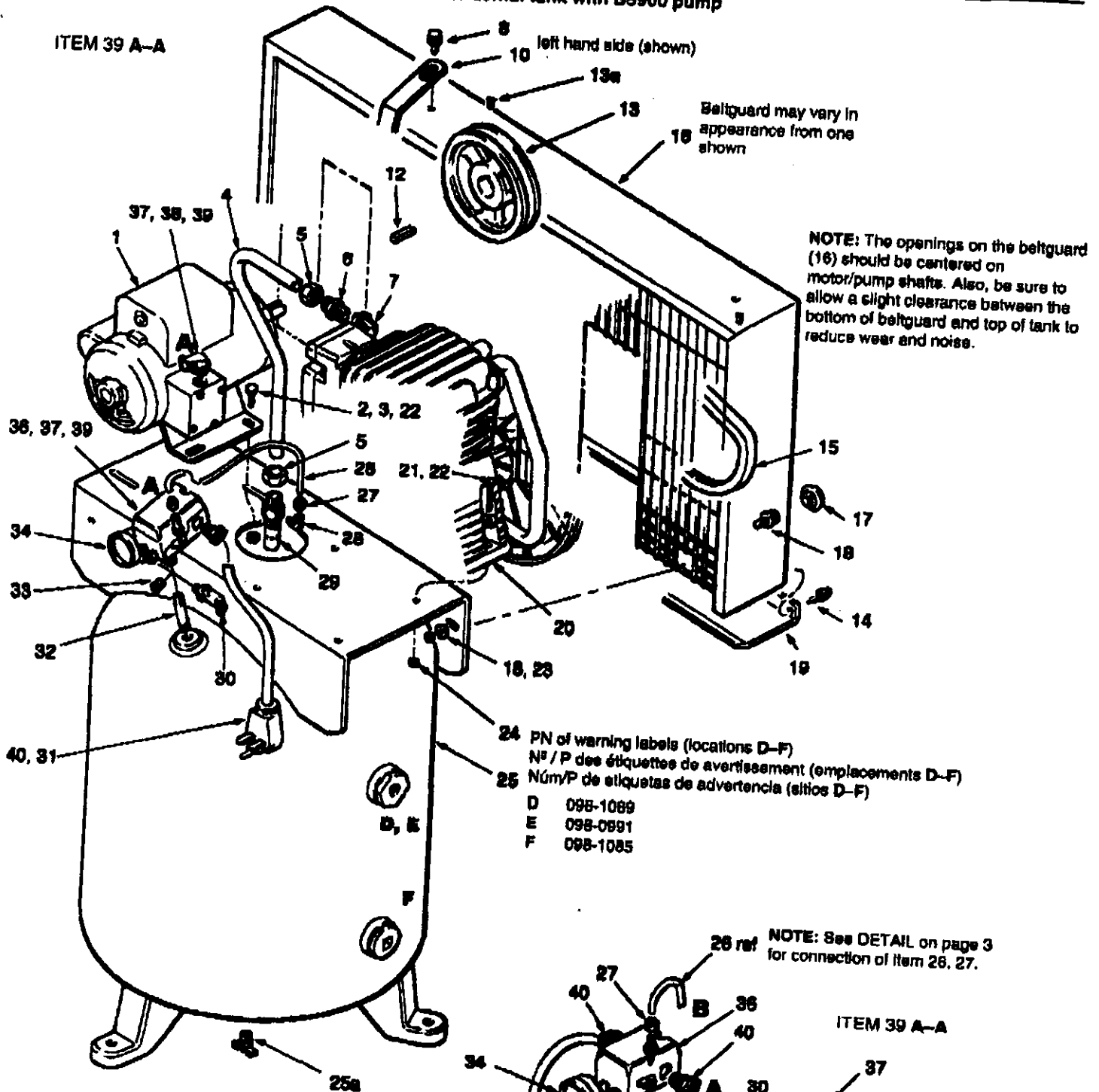
Overhaul kit.....
*includes items 2, 26,
28 & 37a*

Jeu de pièces de remise en
état, inclut les éléments 2, 26
28 et 37a

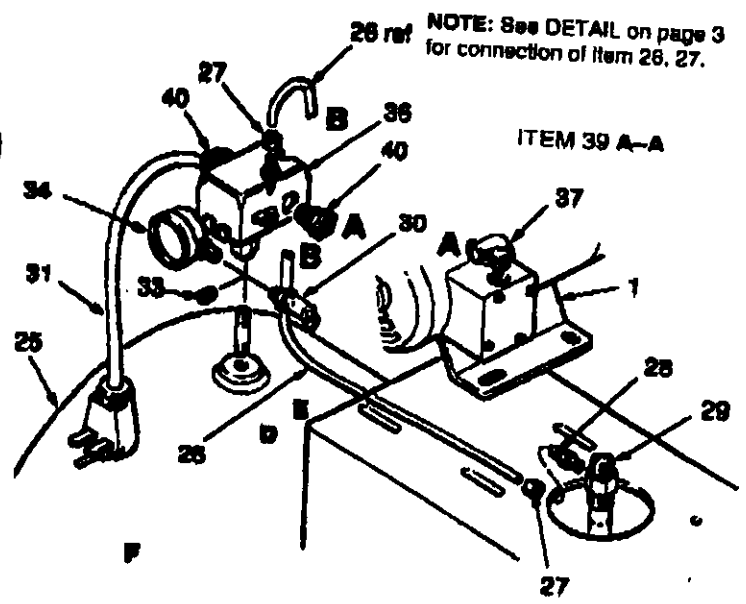
Juego de reparación general
*incluye los artículos 2, 26,
28 y 37a*

5 or 6 1/2 HP Stationary - 80 gallon - vertical or horizontal tank with B5900 pump

ITEM 39 A-A



CAUTION: To prevent damage to tank and compressor, the tank must be shimmed so the pump is level within 1/8" per lineal foot maximum to distribute oil properly. Fasten to floor and NEVER force tank feet to floor without shims when tightening. We also recommend the use of vibration pads (094-0021) under tank feet.

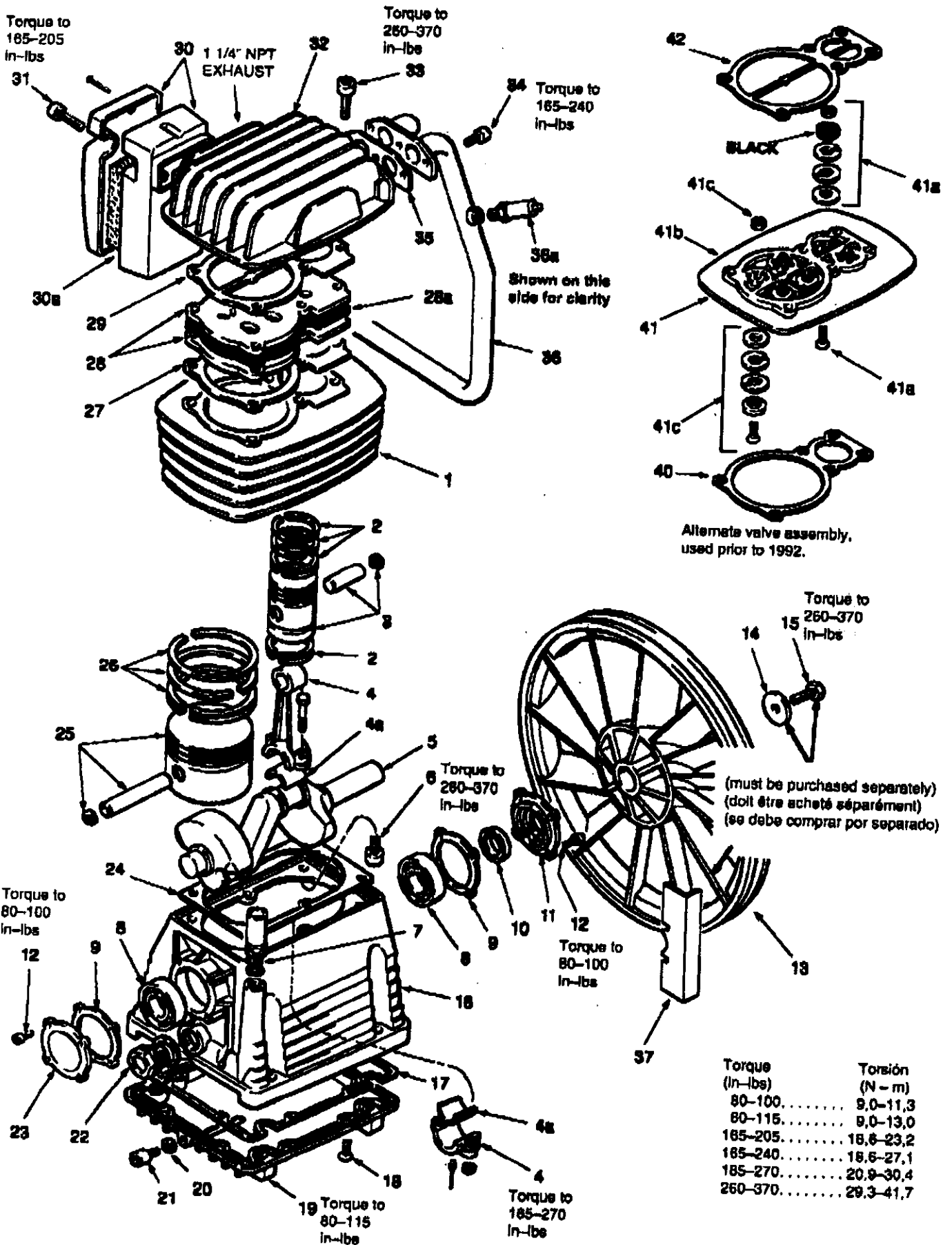


PARTS DRAWING

DESSIN DES PIÈCES

ESQUEMA DE LAS PIEZAS

B5900 Pump, Model 040-0210



PARTS LIST

LISTE DE PIÈCES

LISTA DE LAS PIEZAS

PUMP B5900 040-0210

| Item Art | Part No N° / P | Qty Cnté | Description | Description | Description |
|----------|----------------|----------|---|--|---|
| 1 | 050-0040 | 1 | Cylinder..... | Cylindre..... | Cilindro |
| 2 | 054-0129 | 1 | Ring set..... | Jeu d'anneaux..... | Juego de reparación |
| 3 | 048-0043 | 1 | Piston assy..... | Ensemble du piston..... | Conjunto de pistón |
| 4 | 047-0039 | 2 | Rod..... <i>includes item 4a, bolt, nut and splash rod</i> | Tige..... <i>inclut les élément 4a, boulon, écrou et tige de dispersion</i> | Varilla..... <i>incluye los artículo 4a, pemo, tuerca y varilla de salpicadura</i> |
| 4a | 051-0041 | 2 pr | Inserts..... | Pièce rapportée..... | Inserto |
| 5 | 053-0064 | 1 | Crankshaft..... | Vilebrequin..... | Cigüeñal |
| 6 | 059-0134 | 6 | Bolt..... | Boulon..... | Perno |
| 7 | 058-0013 | 1 | Breather, <i>includes item 7a</i> | Renillard..... | Respiradero |
| 7a | 046-0254 | 1 | O-ring..... | Joint torique..... | Anillo tórico |
| 8 | 051-0039 | 2 | Bearing..... | Roulement..... | Cojinete |
| 9 | 046-0135 | 2 | Gasket..... | Joint..... | Empaquetadura |
| 10 | 046-0137 | 1 | Seal..... | Joint..... | Sello |
| 11 | 077-0055 | 1 | Cover..... | Couvercle..... | Tapa |
| 12 | 059-0135 | 8 | Bolt..... | Boulon..... | Perno |
| 16 | 049-0038 | 1 | Crankcase..... | Carter..... | Cárter |

| must be purchased separately | | | doit être acheté séparément | | | se debe comprar por separado | | |
|------------------------------|----------|---|-----------------------------|--------------------|----------|------------------------------|--|--|
| 13 | 044-0059 | 1 | Flywheel..... | Volant-moteur..... | Volante | | | |
| 14 | 060-0052 | 1 | Washer..... | Rondelle..... | Arandela | | | |
| 16 | 059-0138 | 1 | Bolt..... | Boulon..... | Perno | | | |

| | | | | | |
|-----|----------|---|---|---------------------------------------|---------------------------------------|
| 17 | 048-0248 | 1 | Gasket..... | Joint..... | Empaquetadura |
| 18 | 059-0229 | 8 | Bolt..... | Boulon..... | Perno |
| 19 | 077-0125 | 1 | Base..... | Base..... | Base |
| 20 | 060-0051 | 1 | Washer..... | Rondelle..... | Arandela |
| 21 | 059-0137 | 1 | Bolt..... | Boulon..... | Perno |
| 22 | 032-0019 | 1 | Sight glass, <i>includes item 22a</i> | Viseur..... | Mirilla de vidrio |
| 22a | 046-0255 | 1 | Washer..... | Rondelle..... | Arandela |
| 23 | 077-0053 | 1 | Cover..... | Couvercle..... | Tapa |
| 24 | 046-0247 | 1 | Gasket..... | Joint..... | Empaquetadura |
| 25 | 048-0088 | 1 | Piston assy..... | Ensemble du piston..... | Conjunto de pistón |
| 26 | 054-0217 | 1 | Ring set..... | Jeu d'anneaux..... | Juego de reparación |
| 27 | 046-0257 | 1 | Gasket..... | Joint..... | Empaquetadura |
| 28 | 043-0161 | 1 | Valve plate assy..... <i>includes item 28a</i> | Ensemble de la plaque de soupape..... | Conjunto de placa de válvula |
| 28a | 046-0256 | 1 | Gasket..... | Joint..... | Empaquetadura |
| 29 | 046-0258 | 1 | Gasket..... | Joint..... | Empaquetadura |
| 30 | 019-0155 | 1 | Air filter assy, <i>includes item 30a</i> | Ensemble de filtre à air..... | Conjunto de filtro de aire |
| 30a | 019-0158 | 1 | Element..... | Élément..... | Elemento |
| 31 | 059-0230 | 2 | Bolt..... | Boulon..... | Perno |
| 32 | 042-0086 | 1 | Head..... | Tête..... | Cabezal |
| 33 | 059-0231 | 6 | Bolt..... | Boulon..... | Perno |
| 34 | 059-0232 | 3 | Bolt..... | Boulon..... | Perno |
| 35 | 046-0245 | 1 | Gasket..... | Joint..... | Empaquetadura |
| 36 | 082-0024 | 1 | Tube, <i>includes item 36a</i> | Tube, <i>inclut les élément 36a</i> | Tube, <i>incluye los artículo 36a</i> |
| 36a | 136-0049 | 1 | Valve, pressure relief..... | Soupape..... | Válvula |
| 37 | 125-0105 | 1 | Shield..... | Garant..... | Pantalla |

AVAILABLE SERVICE KITS
must be purchased separately
separado

doit être acheté séparément

se debe comprar por

| | | | |
|----------|---|--|---|
| 046-0244 | Gasket repair kit..... | Joint de jeu de pièces de réparation..... | Empaquetadura de juego de reparación..... |
| | <i>includes items 9, 17, 24, 27, 28a, 29, 35, 40 & 42</i> | <i>inclut les élément 9, 17, 24, 27, 28a, 29, 35, 40 et 42</i> | <i>incluye los artículo 9, 17, 24, 27, 28a, 29, 35, 40 y 42</i> |
| 40 | 046-0248 1 | Gasket, cylinder..... | Empaquetadura, cilindro |
| 41 | 043-0112 1 | Valve plate assy..... | Conjunto de placa de válvula |
| | <i>includes items 41a, 41b & 41c</i> | <i>inclut les élément 41a, 41b et 41c</i> | <i>incluye los artículo 41a, 41b y 41c</i> |
| 41a | 043-0132 3 | Valve assy..... | Conjunto de válvula |
| 41b | 043-0075 1 | Plate, valve..... | Placa, válvula |
| 41c | 043-0131 3 | Valve assy..... | Conjunto de válvula |
| 42 | 046-0130 1 | Gasket, head..... | Empaquetadura, cabezal |

PARTS LIST

LISTE DE PIÈCES

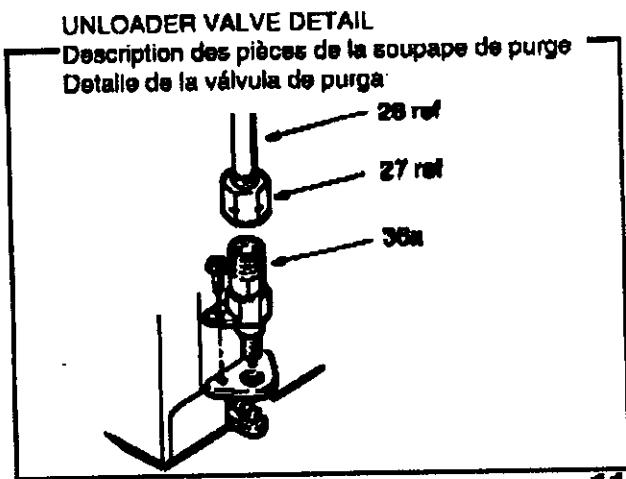
LISTA DE LAS PIEZAS

7.5 HP Stationary - 80 gallon - A.S.M.E. with B6000 pump

| Item Art | Part No N° / P | Qty Qté | Description | Description | Description |
|----------|----------------|---------|--|---|--|
| 1 | 160-0127 | 1 | Motor, 7.5 H.P. <i>includes items 1a & 1b</i> | Moteur <i>inclut les élément 1a & 1b</i> | Motor <i>incluye los artículo 1a & 1b</i> |
| 1a | 166-0051 | 1 | Capacitor, start, black | Condensateur | Condensador |
| 1b | 168-0053 | 1 | Capacitor, run, silver | Condensateur | Condensador |
| 2 | 059-1007 | 4 | Bolt, 3/8 x 1" | Boulon | Perno |
| 3 | 059-0012 | 1 | Bolt, 5/16 x .5" | Boulon | Perno |
| 4 | 145-0114 | 1 | Tube, transfer A-A | Tube | Tubo |
| 5 | 058-0012 | 1 | Compression nut | Écrou de compression | Tuerca de compresión |
| 6 | 064-0032 | 1 | Elbow | Coude | Codo |
| 7 | 061-0005 | 4 | Screw | Vis | Tornillo |
| 8 | 114-0185 | 1 | Bracket | Support | Soporte |
| 9 | ■ | 1 | Hub | Moyeu | Cubo |
| 10 | 071-0003 | 3 | Strain relief, 90° | Soulagement de traction | Aliviador de esfuerzo |
| 11 | 146-0011 | 1 | Key | Clé | Chaveta |
| 12 | ■ | 1 | Pulley | Poulie | Polea |
| 14 | 007-0005 | 2 | Belt | Courroie | Correa |
| 15 | 142-0084 | 1 | Beltguard | Garant de courroie | Protección de correa |
| 16 | 125-0113 | 1 | Underpan | Tiroir | Bandeja |
| 18 | 059-0184 | 4 | Screw, 3/8-16 x .75" | Vis | Tornillo |
| 19 | 060-0023 | 12 | Washer | Rondelle | Arandela |
| 20 | 040-0208 | 1 | Pump, B6000 (Less flywheel) | Pompe | Bomba |
| 21 | 059-0061 | 4 | Bolt, 7/16 x 2" | Boulon | Perno |
| 22 | 058-0009 | 4 | Nut, 3/8" | Écrou | Tuerca |
| 23 | 058-0011 | 4 | Nut, 7/16" | Écrou | Tuerca |
| 24 | 021-0148 | 1 | Tank assembly | Ensemble du réservoir | Conjunto de tanque |
| 25 | 072-0001 | 1 | Petcock | Robinet de décompression | Llave de desagüe |
| 26 | 145-0051 | 1 | Tube, bleeder C-C | Tube | Tubo |
| 27 | 058-0017 | 2 | Compression nut | Écrou de compression | Tuerca de compresión |
| 28 | 068-0002 | 1 | Connector | Connecteur | Conector |
| 29 | 031-0036 | 1 | Valve, check | Soupape | Válvula |
| 30 | 065-0033 | 1 | Nipple | Manchon fileté | Niple |
| 31 | 136-0007 | 1 | Valve, pressure relief | Soupape | Válvula |
| 32 | 026-0147 | 1 | Cord, power | Câble | Cordón |
| 33 | 065-0066 | 1 | Nipple, 1/4" NPT x 2.5" lg | Manchon fileté | Niple |
| 34 | 069-0004 | 1 | Tee | Pièce en T | T |
| 35 | 032-0025 | 1 | Gauge | Manomètre | Manómetro |
| 36 | 034-0058 | 1 | Switch, pressure <i>includes item 36a</i> | Interrupteur <i>inclut les élément 36a</i> | Interruptor <i>incluye los artículo 36a</i> |
| 36a | 136-0038 | 1 | Valve, unloader | Soupape | Válvula |
| 38 | 064-0022 | 1 | Elbow | Coude | Codo |
| 39 | 026-0229 | 1 | Cord, interconnect B-B | Câble | Cordón |

| Item | Part # | | | | |
|------|----------|---|---|---|---|
| 9 | 004-0001 | • | • | • | • |
| | 004-0017 | | | | • |
| 12 | 008-0072 | • | • | • | • |
| | 006-0114 | | | | • |

C072080V2A154
 S71-AT32-80V
 W5808 Z C W7580B
 X71-AT32F-80V



PARTS LIST

LISTE DE PIÈCES

LISTA DE LAS PIEZAS

Pump B6000 040-0208

| Item Art Art | Part No N° / P Núm / P | Qty Qté Cant | Description | Description | Description |
|------------------------------|------------------------------|--------------------|------------------------------|-------------------------------|----------------------------|
| must be purchased separately | | | doit être acheté séparément | | |
| must be purchased separately | | | se debe comprar por separado | | |
| 1 | 059-0135 | 1 | Bolt | Boulon | Perno |
| 2 | 040-0052 | 1 | Washer | Rondelle | Arandela |
| 3 | 044-0025 | 1 | Flywheel | Volant-moteur | Volante |
| 4 | 059-0135 | 4 | Bolt | Boulon | Perno |
| 5 | 077-0057 | 1 | Cover | Couvercle | Tapa |
| 6 | 046-0135 | 1 | Gasket | Joint | Empaquetadura |
| 7 | 046-0145 | 1 | Seal | Joint | Sello |
| 8 | 051-0039 | 1 | Bearing | Roulement | Cojinete |
| 9 | 053-0039 | 1 | Crankshaft | Vilebrequin | Cilindral |
| 10 | 077-0053 | 1 | Cover | Couvercle | Tapa |
| 11 | 032-0019 | 1 | Sight glass | Viseur | Minilla de vidrio |
| | | | includes item 11a | inclut les éléments 11a | incluye los artículos 11a |
| 11a | 046-0254 | 1 | Washer | Rondelle | Arandela |
| 12 | 059-0135 | 8 | Bolt | Boulon | Perno |
| 13 | 077-0056 | 1 | Base | Base | Base |
| 14 | 060-0051 | 1 | Washer | Rondelle | Arandela |
| 15 | 059-0137 | 1 | Bolt | Boulon | Perno |
| 16 | 046-0142 | 1 | Gasket | Joint | Empaquetadura |
| 17 | 059-0134 | 6 | Bolt | Boulon | Perno |
| 18 | 049-0022 | 1 | Crankcase | Carter | Cárter |
| 19 | 056-0013 | 1 | Breather, includes item 19a | Reniflard | Respiradero |
| 19a | 046-0255 | 1 | O-ring | Joint torique | Anillo tórico |
| 20 | 046-0141 | 1 | Gasket | Joint | Empaquetadura |
| 21 | 050-0026 | 1 | Cylinder | Cylindre | Cilindro |
| 22 | 046-0140 | 1 | Gasket | Joint | Empaquetadura |
| 23 | 056-0014 | 2 | Splash rod | Tige de dispersion | Varilla de salpicadura |
| 24 | 047-0042 | 2 | Cap | Capuchon | Tapa |
| 25 | 047-0041 | 2 | Rod | Tige | Varilla |
| 26 | 051-0042 | 2 pr | Inserts | Pièce rapportée | Inserto |
| 27 | 059-0072 | 4 | Nut | Écrou | Tuerca |
| 28 | 059-0139 | 4 | Bolt | Boulon | Perno |
| 29 | 048-0044 | 1 | Piston | Piston | Pistón |
| 30 | 054-0130 | 1 set | Ring set | Jeu d'anneaux | Juego de reparación |
| 31 | 052-0022 | 1 | Wrist pin | Maneton | Pasador de articulación |
| 32 | 054-0105 | 4 | Retaining ring | Anneau de retenue | Anillo retenedor |
| 33 | 048-0045 | 1 | Piston | Piston | Pistón |
| 34 | 054-0131 | 1 set | Ring set | Jeu d'anneaux | Juego de reparación |
| 35 | 052-0023 | 1 | Wrist pin | Maneton | Pasador de articulación |
| 36 | 059-0171 | 4 | Bolt | Boulon | Perno |
| 37 | 046-0143 | 1 | Gasket | Joint | Empaquetadura |
| 38 | 051-0040 | 1 | Bearing | Roulement | Cojinete |
| 39 | - | 1 | Valve plate | Plaque de soupape | Placa de válvula |
| 40 | 043-0133 | 2 | Valve assy | Ensemble de soupape | Conjunto de válvula |
| 41 | 043-0132 | 1 | Valve assy | Ensemble de soupape | Conjunto de válvula |
| 42 | 043-0134 | 2 | Valve assy | Ensemble de soupape | Conjunto de válvula |
| 43 | 043-0131 | 1 | Valve assy | Ensemble de soupape | Conjunto de válvula |
| 50 | 046-0139 | 1 | Gasket | Joint | Empaquetadura |
| 51 | 082-0018 | 1 | Tube, includes item 51a | Tube | Tubo |
| 51a | 136-0049 | 1 | Valve, pressure relief | Soupape | Válvula |
| 52 | 059-0130 | 4 | Bolt | Boulon | Perno |
| 53 | 046-0199 | 2 | Gasket | Joint | Empaquetadura |
| 54 | 059-0126 | 6 | Bolt | Boulon | Perno |
| 55 | 042-0044 | 1 | Head | Tête | Cabezal |
| 56 | 046-0131 | 1 | Gasket | Joint | Empaquetadura |
| 57 | 059-0127 | 2 | Bolt | Boulon | Perno |
| 58 | 082-0009 | 1 | Aftercooler | Réfrigérateur supplémentaire | Postrefrigerador |
| 59 | 136-0032 | 1 | Valve | Soupape | Válvula |
| 60 | 019-0155 | 1 | Air filter assy | Ensemble de filtre à air | Conjunto de filtro de aire |
| | | | includes item 60a | inclut les éléments 60a | incluye los artículos 60a |
| 60a | 019-0105 | 1 | Element | Élément | Elemento |
| 61 | 059-0230 | 2 | Bolt | Boulon | Perno |
| AVAILABLE SERVICE KITS | | | must be purchased separately | | |
| | 185-0069 | 1 | Complete overhaul kit | Joints, jeu complet | Junlas, conjunto completo |
| | 046-0188 | 1 | Gasket repair kit | Joint de réparation pièces de | Empaquetadura de juntas de |