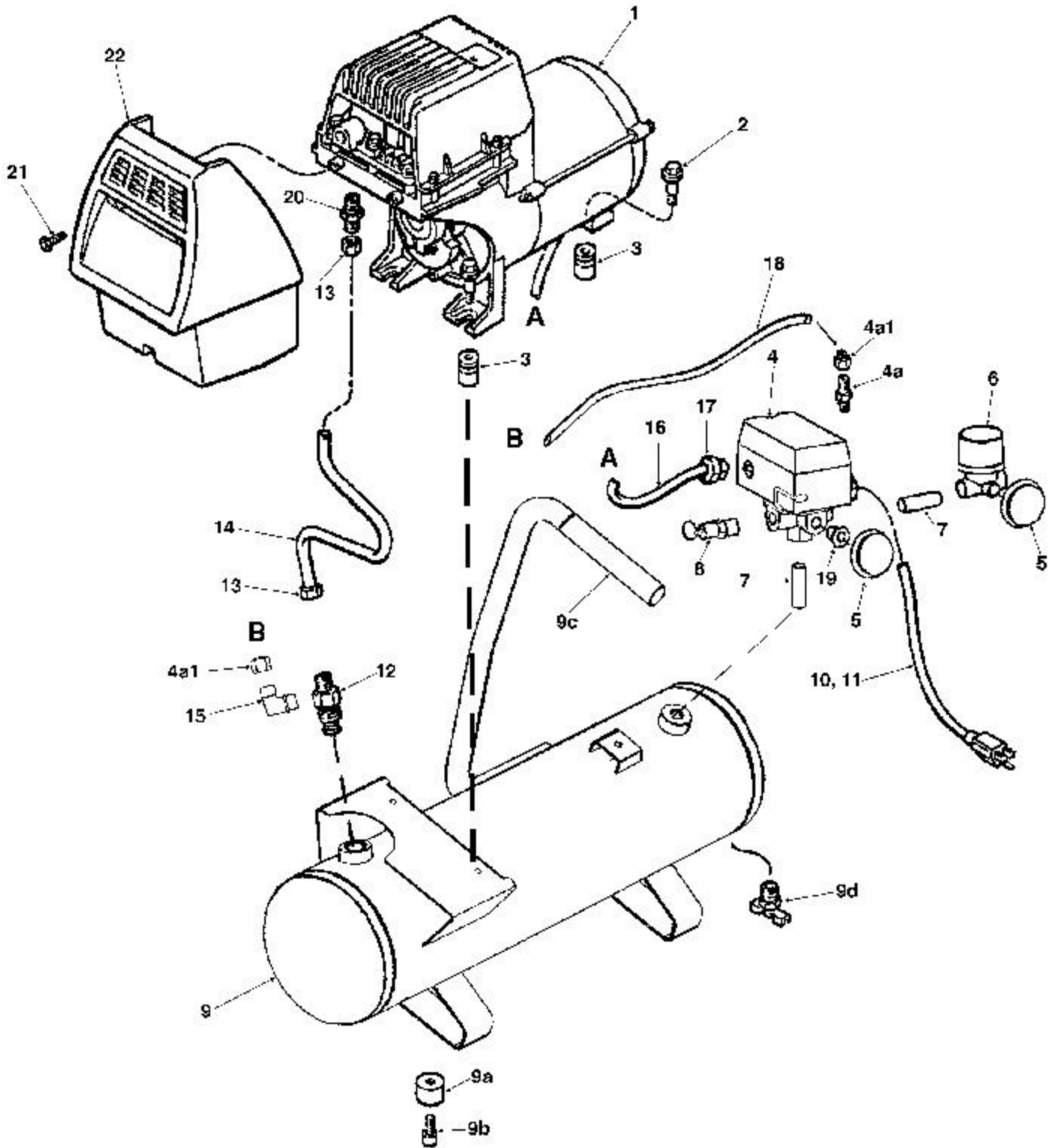


MODEL P0100310

PARTS DRAWING



DATE 5/01/98

ORIGINAL

MODEL P0100310

SERVICE PARTS LIST

<u>Item</u>	<u>Part No</u>	<u>Qty</u>	<u>Description</u>
1	040-0287	1	1 H.P. Pump/motor assy
2	059-0221	3	Bolt, shoulder, 1/4-28
3	093-0019	3	Grommet
4	034-0121	1	Switch, pressureincludes item 4a
4a	136-0013	1	Valve, bleeder, includes 4a1
4a1	058-0017	1	Nut, 1/4" O.D. tube
5	032-0056	2	Gauge, 220 PSI
6	019-0182	1	Regulator
7	065-0033	2	Nipple, 1/4 NPT x 1.50" lg
8	136-0056	1	Valve, 140 PSI, 1/4 NPT ASME
9	150-0061	1	Tank assy, includes 9a-9d 2.5 gallon
9a	094-0028	4	Isolator, vibration
9b	061-0060	4	Screw
9c	093-0031	1	Handle, grip
9d	072-0001	1	Petcock
10	026-0142	1	Cord, power
11	071-0002	1	Strain relief
12	031-0037	1	Valve, check 1/2 NPT x 3/8" O.D. tube
13	058-0007	2	Nut, 3/8" O.D. tube
14	145-0268	1	Tube, transfer Also purchase 058-0007 qty 2
15	064-0056	1	Elbow, includes 4a1
16	026-0221	1	Cord, interconnect
17	071-0011	1	Strain relief
18	145-0293	1	Tube, bleeder Also purchase 058-0017 qty 1
19	063-0023	1	Bushing, 1/4 NPT x 1/8 NPT
20	068-0017	1	Connector 1/4 NPT x 3/8" O.D. tube
21	061-0061	3	Screw, #8-32 x 7/16" lg
22	142-0097	1	Shroud

Bleeder valve detail

