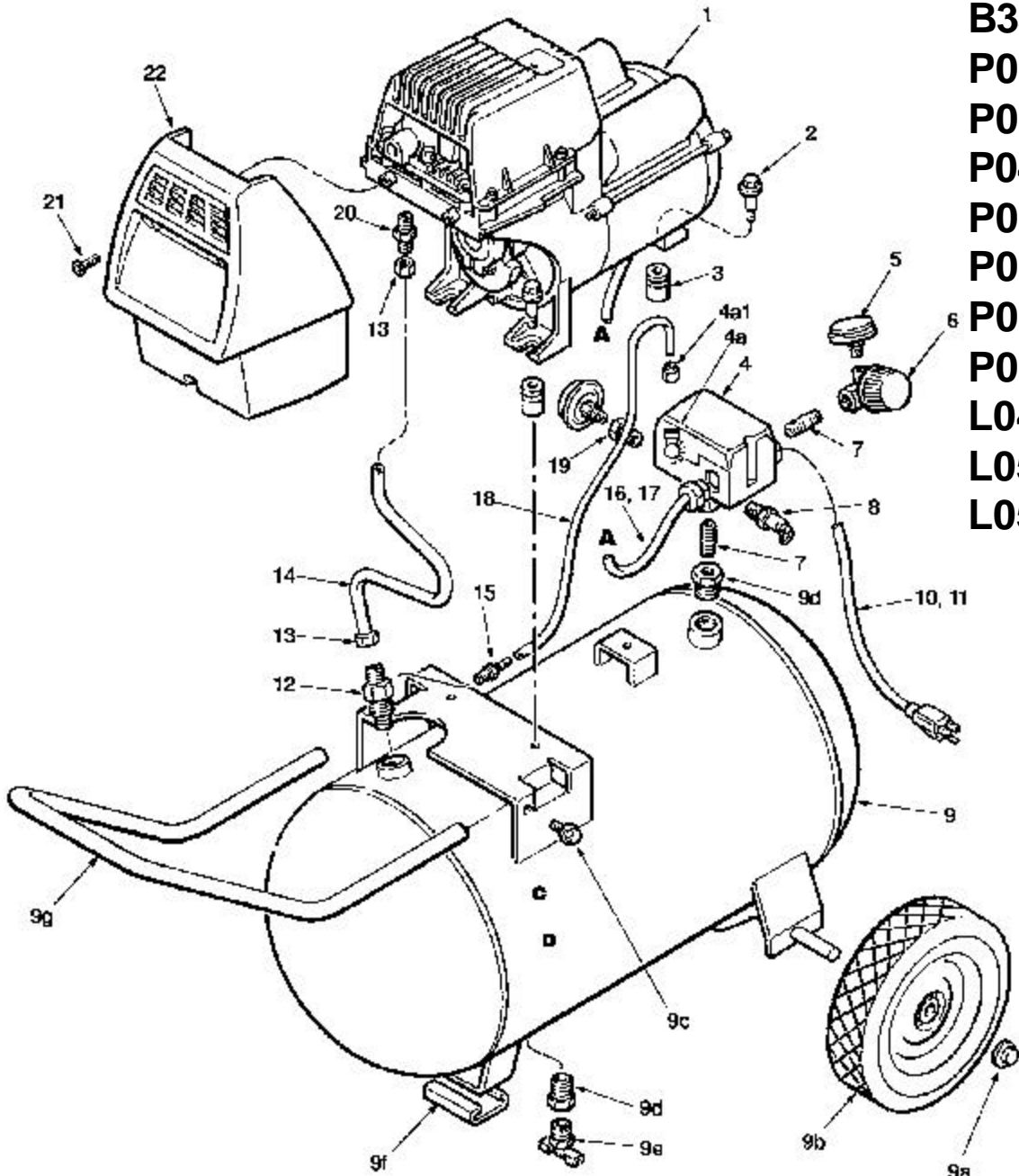


PARTS DRAWING

PN of warning labels (locations C - D)

- C 098-0984
- D 098-1085

- MODELS
- P100810
- P0200810
- P0250810
- P0251110
- P0301110
- P0351110
- B3511
- P0352010
- P0400810
- P0401110
- P0402010
- P0402510
- P0452510
- P0502010
- L0404410
- L0502710
- L0504410



DATE 5/01/98

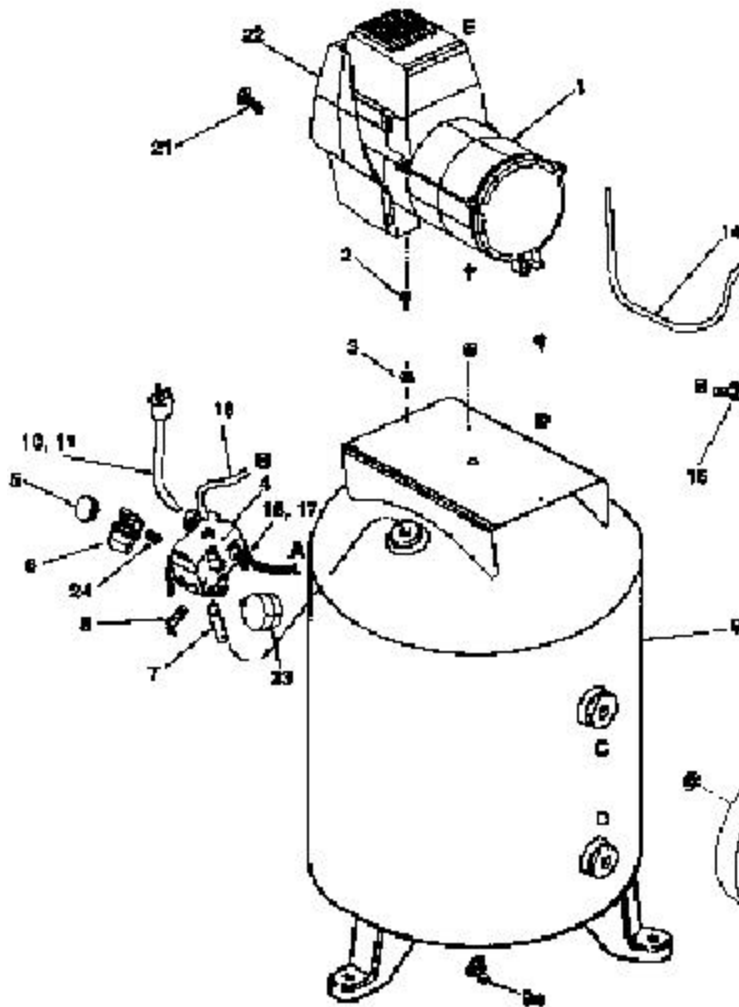
ORIGINAL

PARTS DRAWING

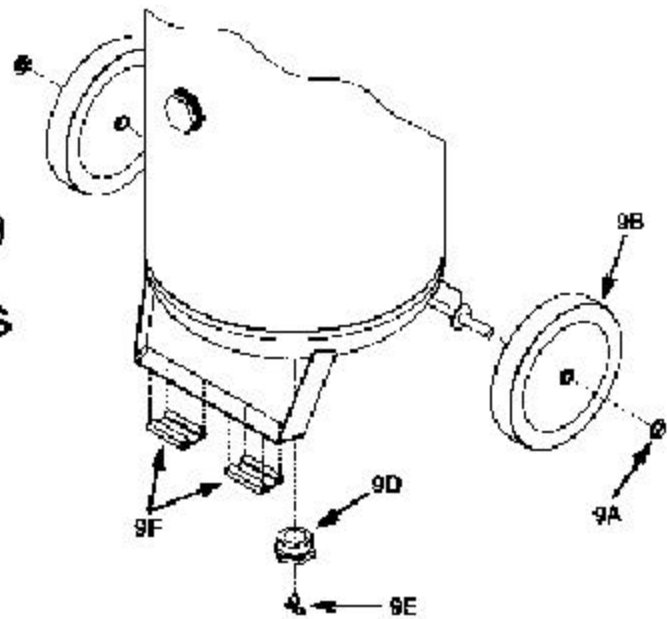
PN of warning labels (locations C - E)

- C 098-0984
- D 098-1085
- E 098-2099

- MODELS
- P100810
- P0200810
- P0250810
- P0251110
- P0301110
- P0351110
- B3511
- P0352010
- P0400810
- P0401110
- P0402010
- P0402510
- P0452510
- P0502010
- L0404410
- L0502710
- L0504410



STATIONARY MODELS



VERTICAL PORTABLE MODELS

SERVICE PARTS LIST

Item	Part No	Qty	Description
1	■ 040-0242	1	Pump/motor assy
	040-0274	1	2 H.P. Pump/motor assy
	● 040-0287	1	1 H.P. Pump/motor assy
2	059-0221	3	Bolt, shoulder, 1/4-28
3	093-0019	3	Grommet
4	034-0096	1	Switch, pressure includes item 4a
	◆ □ 034-0094	1	Switch, pressure includes item 4a
4a	136-0064	1	Valve, bleeder, includes 4a1
4a1	058-0017	1	Nut, 1/4" O.D. tube
5	032-0052	2	Gauge, 200 PSI
6	019-0167	1	Regulator
7	065-0033	2	Nipple, 1/4 NPT x 1.50" lg
8	136-0037	1	Valve, 135 PSI, 1/4 NPT ASME
9	150-0045	1	Tank assy, 7.5 gal, includes 9a-9g
or	127-0039	1	Tank assy. 11 gal, includes 9a-9g
or	130-0045	1	Tank assy, 20 gal, includes 9a-9g
or	131-0023	1	Tank assy, 25 gal, includes 9e
or	153-0044	1	Tank assy, 27 gal, includes 9e-9f
	◆ 021-0199	1	Tank assy, 44 gal, Includes 9a-9g
9a	033-0001	2	Hubcap
	○ 033-0002	2	Hubcap (10" wheel)
9b	095-0010	2	Wheel, 8"
	○ 095-0014	2	Wheel, 10"
or	⌘ 095-0016	2	Wheel, 7"
9c	059-0216	2	Screw, 1/4-20 x .5" lg w/serrated washer
9d	063-0006	2	Bushing, 3/4 NPT x 1/4 NPT
9e	072-0001	1	Petcock
9f	094-0015	1	Pad
9g	112-0002	1	Handle
10	026-0030	1	Cord, power
11	071-0002	1	Strain relief
12	031-0037	1	Valve, check 1/2 NPT x 3/8" O.D. tube
13	058-0007	2	Nut, 3/8" O.D. tube
14	145-0179	1	Tube, transfer Also purchase 058-0007 qty 2
	◆ 145-0307		Tube, transfer
	□ 145-0318	1	Tube, bleeder
15	068-0506	1	Connector, 1/8 NPT x 1/4 barb
16	026-0233	1	Cord, interconnect
17	071-0008	1	Strain relief
18	145-0324	1	Tube, bleeder Also purchase 058-0017 qty 1
	□ 145-0319	1	Tube, bleeder
19	063-0023	1	Bushing, 1/4 NPT x 1/8 NPT
20	068-0017	1	Connector 1/4 NPT x 3/8" O.D. tube
21	061-0108	3	Screw, #8-32 x 7/16" lg
22	142-0091	1	Shroud
23	◆ □ 032-0025	1	Gauge
24	◆ □ 065-0005	1	Nipple 1/4" x 2 1/2"

- Replaces 2.5 - 5.0 H.P. motors.
- ⌘ 7" wheel for 7.5 gal tank only.
- 1 H.P. replacement motor.
- 10" wheel for 20 & 25 gallon tanks only.
- ◆ Used on model BL0404410
- Used on model L0502710

MODELS

P0100810
P0200810
P0250810
P0251110
P0301110
P0351110
B3511
P0352010
P0400810
P0401110
P0402010
P0402510
P0452510
P0502010
L0404410
L0502710
L0504410

