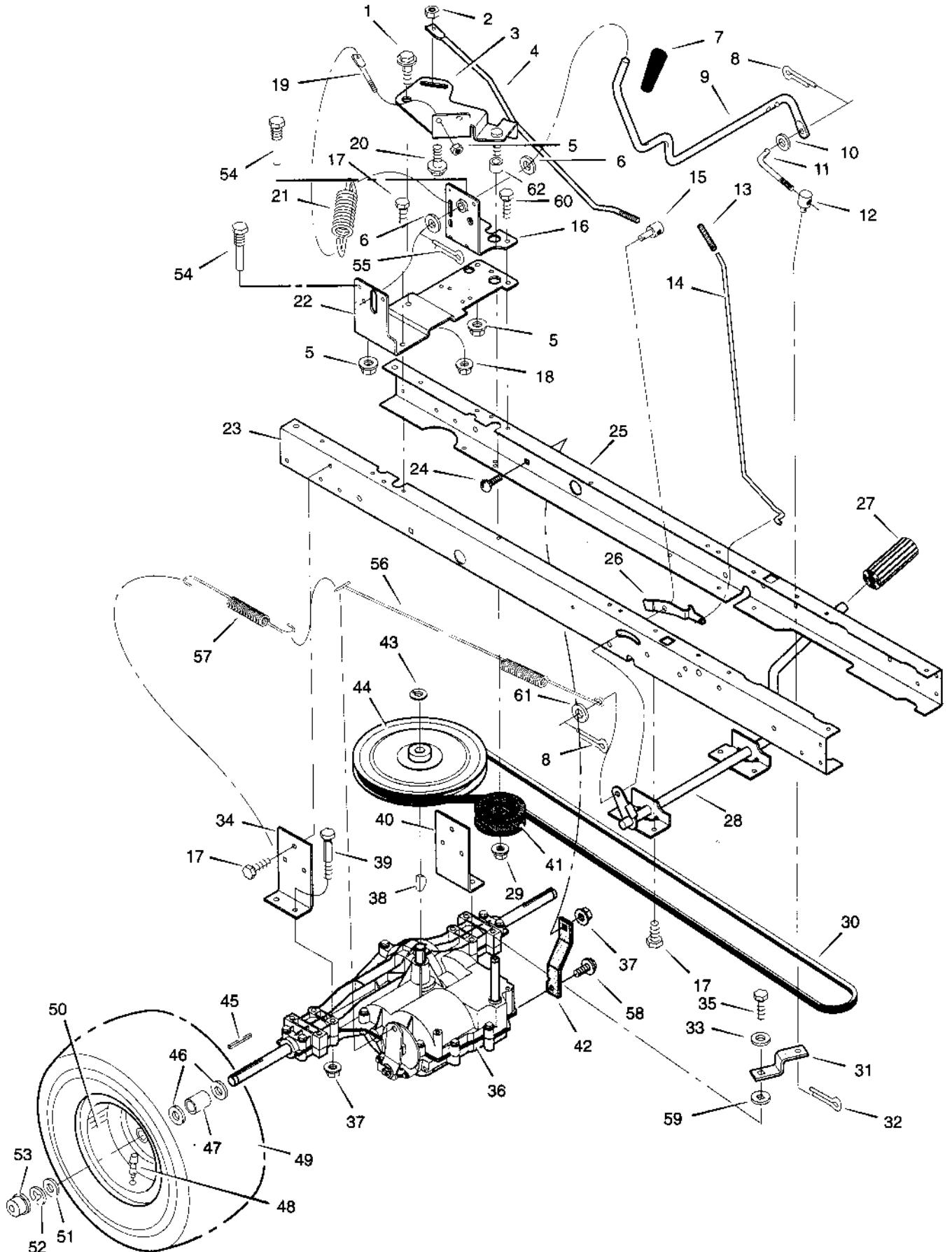


# MODEL 425007x92B

# REPAIR PARTS CHASSIS & HOOD

Key No.	Description	Part No.	Key No.	Description	Part No.
1	Seat	690566	27	Lens, Left	094081
2	Cap, Push On	028x23	28	Bezel	094807 Z
3	Spring	094057	29	Lens, Right	094080
4	Screw	26x229	30	Plug, Dome	1001591
5	Bolt, Wing	1001054	31	Screw	26x270
6	Washer	017x47 Z	32	Screw	26x238
7	Bolt, Shoulder	009x56	33	Bearing, Steering	094075
8	Support, Seat	094154E700	34	Dash	1001584E700
9	Rod, Pivot	094156 Z	35	Screw	26x201
10	Bracket, Pivot	094153E700	36	Panel, Access	093007E700
11	Bolt	001x45	37	Support, Dash	095318E700
12	Nut	015x89	38	Bracket, Rear Hanger	1001270E701
13	Bolt, Shoulder	009x55	39	Support, Left Grille	1001438E701
14	Washer	094155 Z	40	Axle, Hanger	094007E700
15	Spring	164x31	41	Support, Right Grille	1001438E701
16	Screw	26x249	42	Bolt, Shoulder	009x58
17	Screw	26x263	43	Frame, Right	1001268E701
18	Spring	164x30	44	Frame, Left	1001269E701
19	Deck, Seat	1001558E245	45	Container, Battery	690424
20	Nut	015x88	46	Plate, Hitch	1001002E700
21	Plate, Index	094151E700	47	Panel, Rear	690434E700
22	Screw	009x47	48	Cover, Detent	094610
23	Mat, Left	094999	49	Nut	015c81
24	Mat, Right	094998	50	Screw	26x277
25	Hood	690608E245	70	Holder, Cup	1001542
26	Grille	094079E700	--	Instruction Book & Parts List	F-030721L



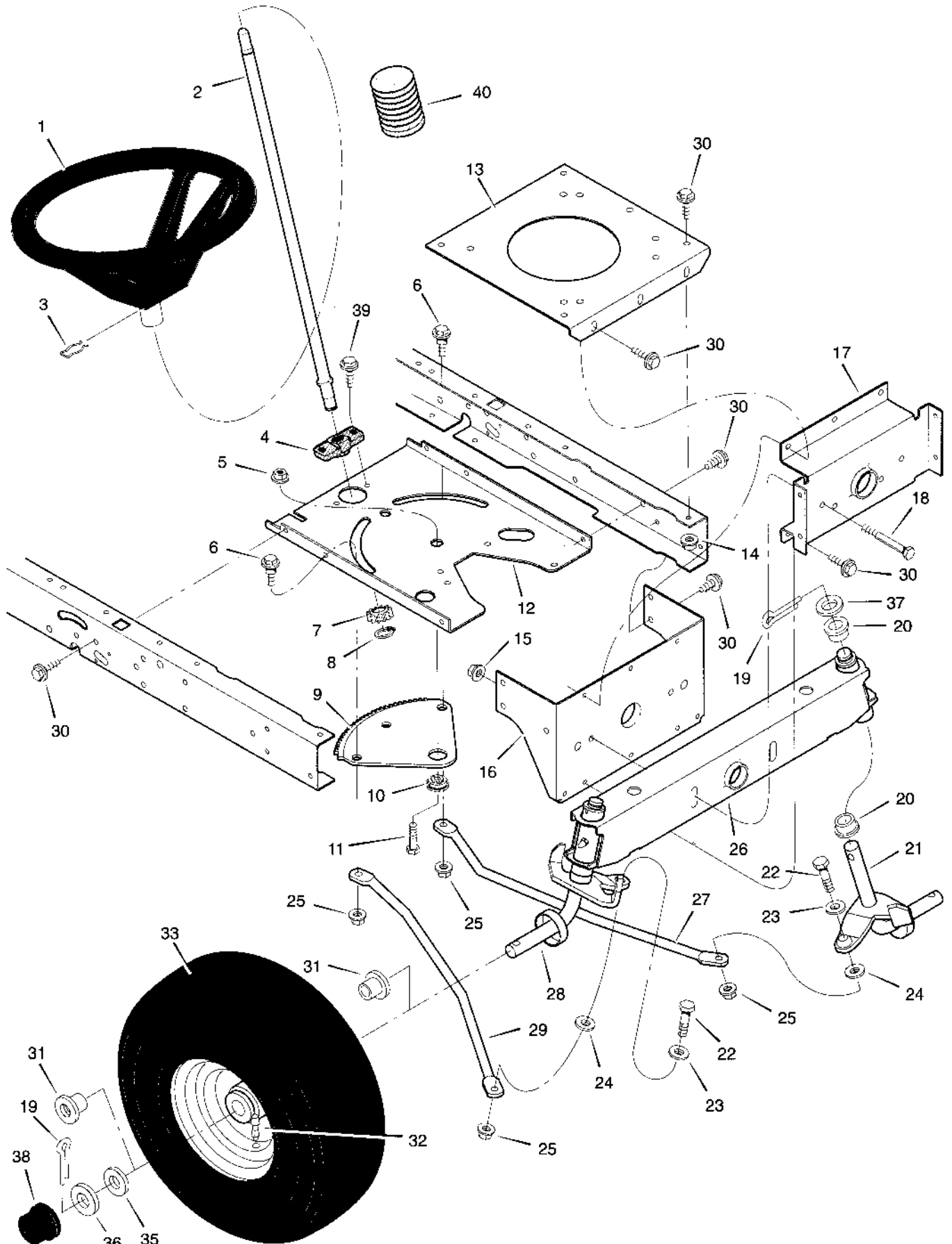
# MODEL 425007x92B

# REPAIR PARTS MOTION DRIVE

Key No.	Description	Part No.	Key No.	Description	Part No.
1	Bolt, Shoulder	009x39	33	Washer	017x38
2	Nut, Hex	015x89	34	Bracket, Right Transaxle	092554 Z
3	Arm, Idler	690173E701	35	Bolt	06x105
4	Rod, Clutch	094041 Z	36	Transaxle **	----
5	Nut	015x79	37	Nut	015x88
6	Washer	17x102	38	Key, Woodruff	020697
7	Grip	092697	39	Bolt	01x155
8	Pin, Cotter	030x20	40	Bracket, Left Transaxle	092555 Z
9	Lever, Shift	094043 Z	41	Pulley	690409
10	Washer	017x47 Z	42	Bracket, Transaxle Support	094433E700
11	Link, Shift	094044 Z	43	E-Ring	0011x7
12	Nut, Adjuster	021920	44	Pulley, Drive	095094
13	Grip	091079	45	Key, Square	021553
14	Rod, Parking Brake	1001245 Z	46	Washer	17x160
15	Nut, Adjuster	094815	47	Spacer, Transaxle	690554 Z
16	Bracket, Shift Pivot	1001303 Z	48	Stem, Valve	024373
17	Screw	26x249	49	Tire *	092374
18	Nut	015x84	--	Tube	407049
19	Mount, Stud Spring	094042 Z	50	Wheel & Tire Assembly	092290-601
20	Bolt, Shoulder	009x54	51	Washer	17x195
21	Spring, Extension	165x116	52	E-Ring	0011x3
22	Bracket, Right Shifter	1001302E701	53	Hub Cap	094618
23	Frame, Right	1001268E701	54	Guide, Belt	093349
24	Bolt, Carriage	002x53	55	Pin, Hair	0031x4
25	Frame, Left	1001269E701	56	Spring, Extension	165x115
26	Latch, Parking Brake	094045 Z	57	Spring, Extension	165x92
27	Pedal	021544	58	Screw	26x216
28	Lever, Brake/Clutch	094038E700	59	Washer	17x148
29	Nut	015x98	60	Screw	26x267
30	Belt, Motion Drive	037x87	61	Washer	17x169
31	Yoke, Shift	094031 Z	62	Spacer	690369
32	Pin, Hair	0031x6			

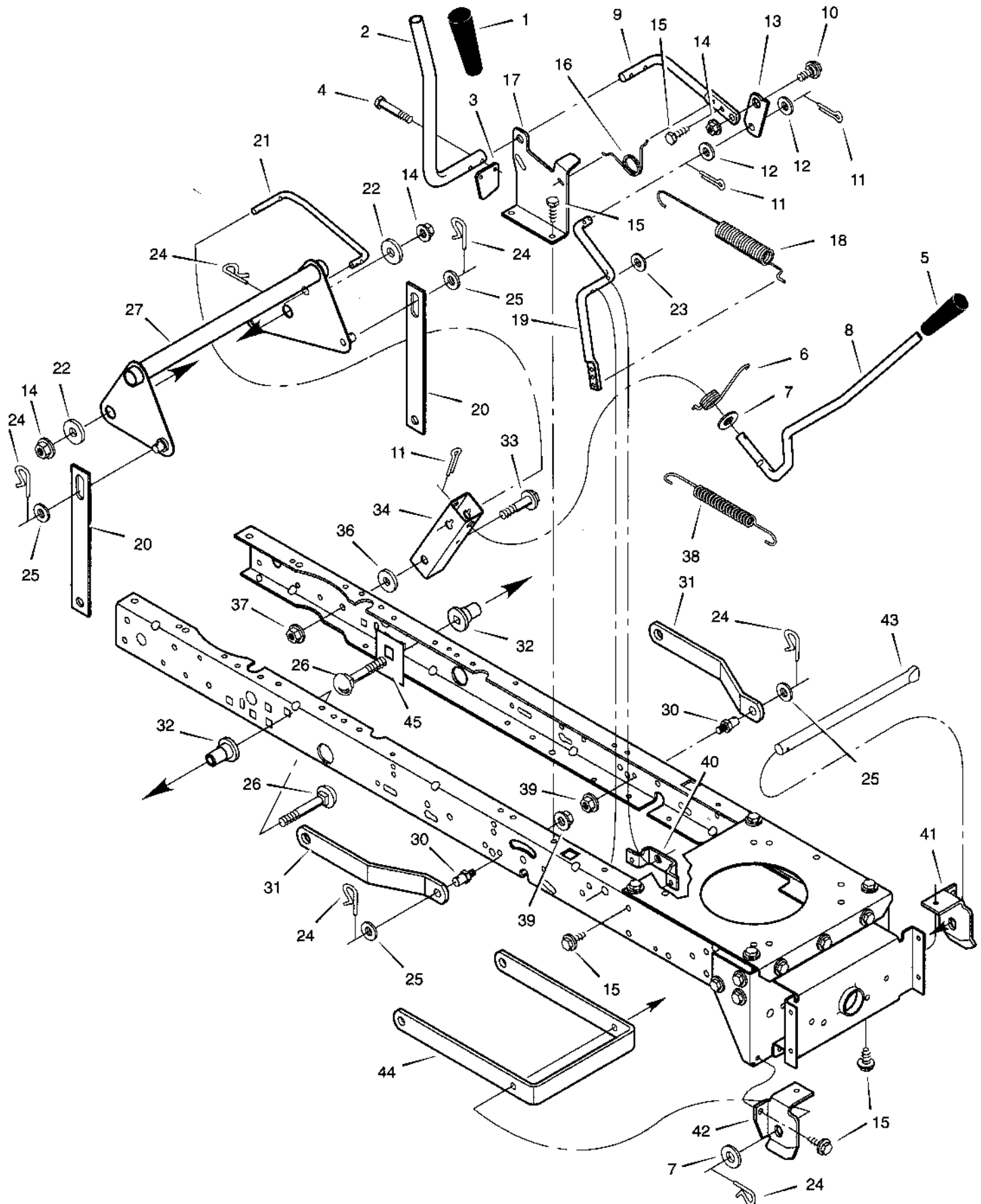
\* When you order a tire, make sure to give the brand name of the tire so that the tread pattern on the tire will match.

\*\* For information on Replacement Parts see the Central Parts Distributor in your area.



Key No.	Description	Part No.
1	Wheel, Steering	094134
2	Post, Steering	690625
3	Clip, Retainer	094131
4	Bearing	094124
5	Nut, Flange	15x111
6	Bolt, Shoulder	009x57
7	Gear, Pinion	690183
8	Ring, Snap	011x25
9	Gear, Sector	094121E700
10	Bearing	094123
11	Bolt	001x84
12	Plate, Steering	1001121E700
13	Plate, Engine	094006E700
14	Nut, Flange	015x88
15	Nut, Flange	15x118
16	Bracket, Hanger	1001270E700
17	Axle, Hanger	094007E700
18	Bolt	01x146
19	Pin, Cotter	030x49
20	Bearing	690150
21	Spindle Assembly, Left	094576E700
22	Bolt	01x111
23	Washer	17x104
24	Washer	017x53 Z
25	Nut, Flange	015x84
26	Axle Assembly	1001460E700
27	Drag Link, Left	095329E700
28	Spindle Assembly, Right	094575E700
29	Drag Link, Right	095328E700
30	Screw	26x249
31	Bearing, Wheel	091334
32	Stem, Valve	024373
33	Tire *	091912
--	Tube	407047
34	Wheel and Tire Assembly	094579-601
35	Washer	17x195
36	Washer	17x192
37	Washer	17x113
38	Hub Cap (Optional)	094618
39	Screw	26x267
40	Bellows (Optional)	092059

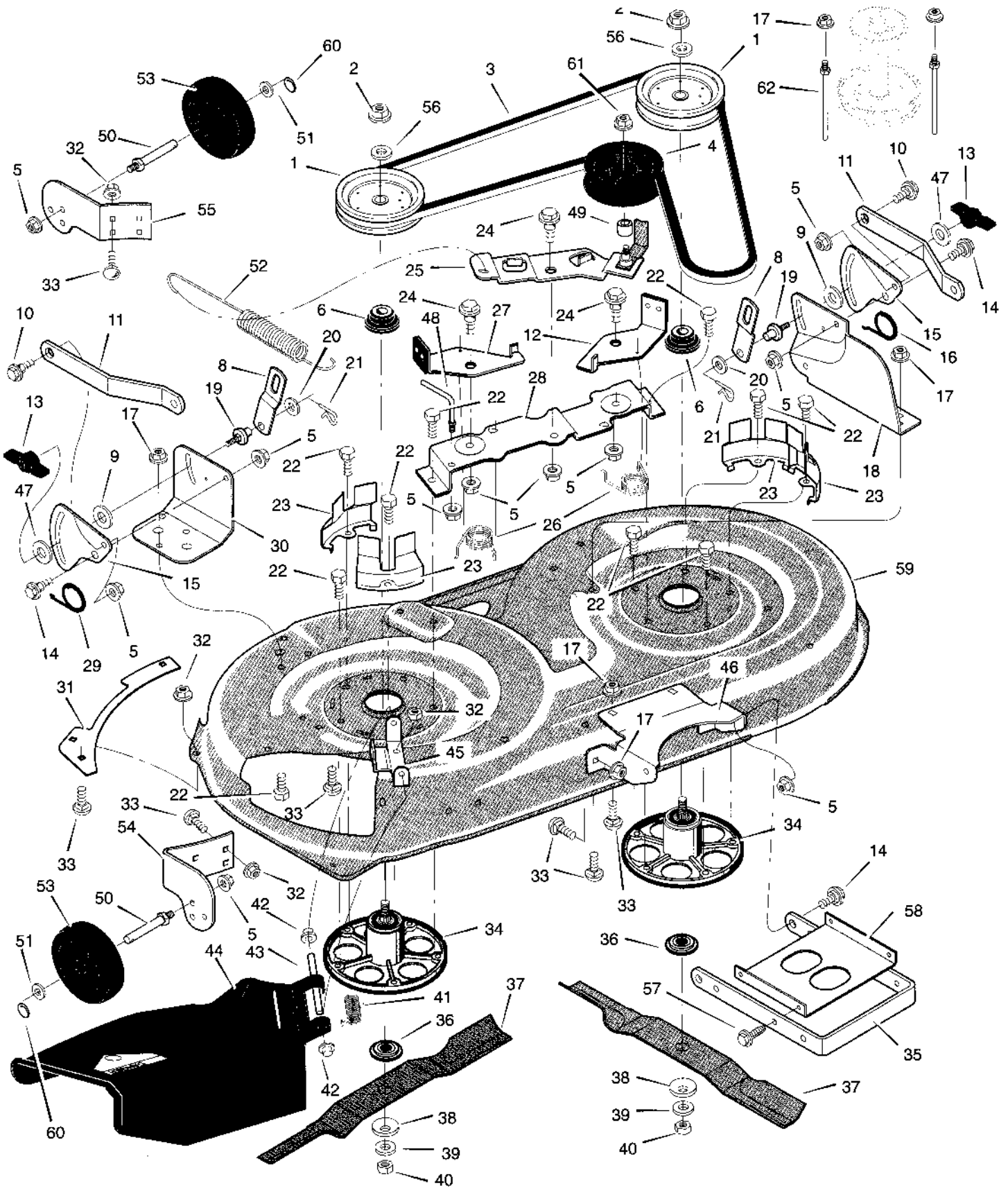
\* When you order a tire, make sure to give the brand name of the tire so that the tread pattern on the tire will match.



<b>Key No.</b>	<b>Description</b>	<b>Part No.</b>	<b>Key No.</b>	<b>Description</b>	<b>Part No.</b>
1	Grip	092698	22	Washer	17x168
2	Handle, PTO	094157 Z	23	Washer	017x57
3	Pad, Switch	094022 Z	24	Pin, Hair	0031x4
4	Bolt	0025x3	25	Washer	017x91 Z
5	Grip	092697	26	Bolt, Carriage	002x85
6	Spring	166x40	27	Lever Assembly, Lift	1001111E701
7	Washer	17x103	30	Pin	094067
8	Lever, Lift	690533	31	Bracket, Rear Suspension	094055E700
9	Lever, PTO	094017 Z	32	Spacer, Lifter	690151
10	Bolt, Shoulder	009x39	33	Bolt, Shoulder	009x53
11	Pin, Cotter	030x20	34	Bracket, Pivot	094015E700
12	Washer	017x57	36	Washer	17x191
13	Link, PTO	094004 Z	37	Nut, Flange	015x84
14	Nut, Flange	015x84	38	Spring	165x131
15	Screw	26x249	39	Nut, Flange	015x68
16	Spring	166x39	40	Bracket, PTO	094005E700
17	Bracket, PTO	094018E700	41	Hanger, Left Deck	094027E700
18	Spring	165x119	42	Hanger, Right Deck	094026E700
19	Crank, PTO	690394E700	43	Rod, Hanger	094158 Z
20	Link, Lift	690212E700	44	Bracket, Suspension	690539E700
21	Link, Lift Handle	690122E700	45	Plate, Stiffening	1001098E701

# MODEL 425007x92B

# REPAIR PARTS MOWER HOUSING



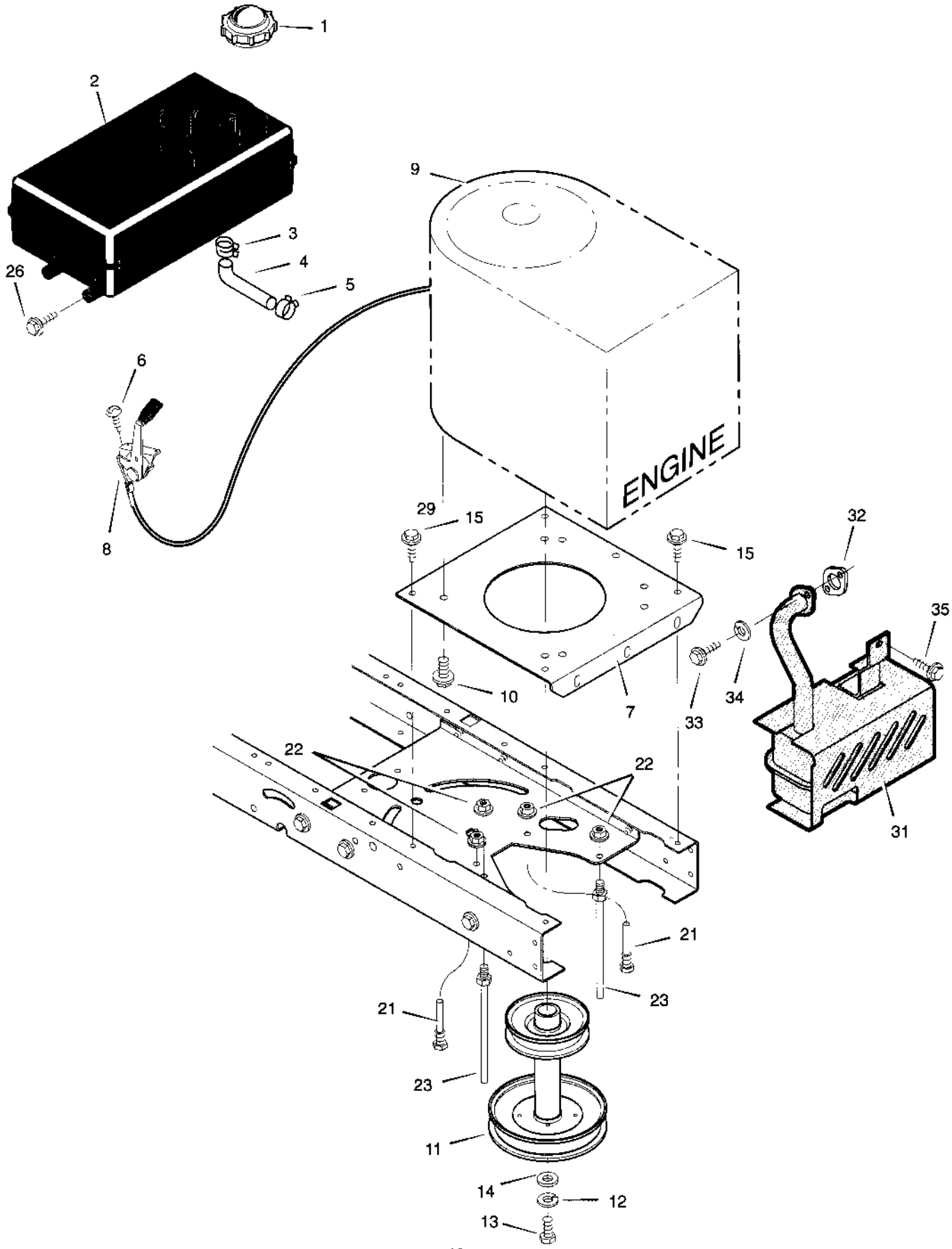
# MODEL 425007x92B

# REPAIR PARTS MOWER HOUSING

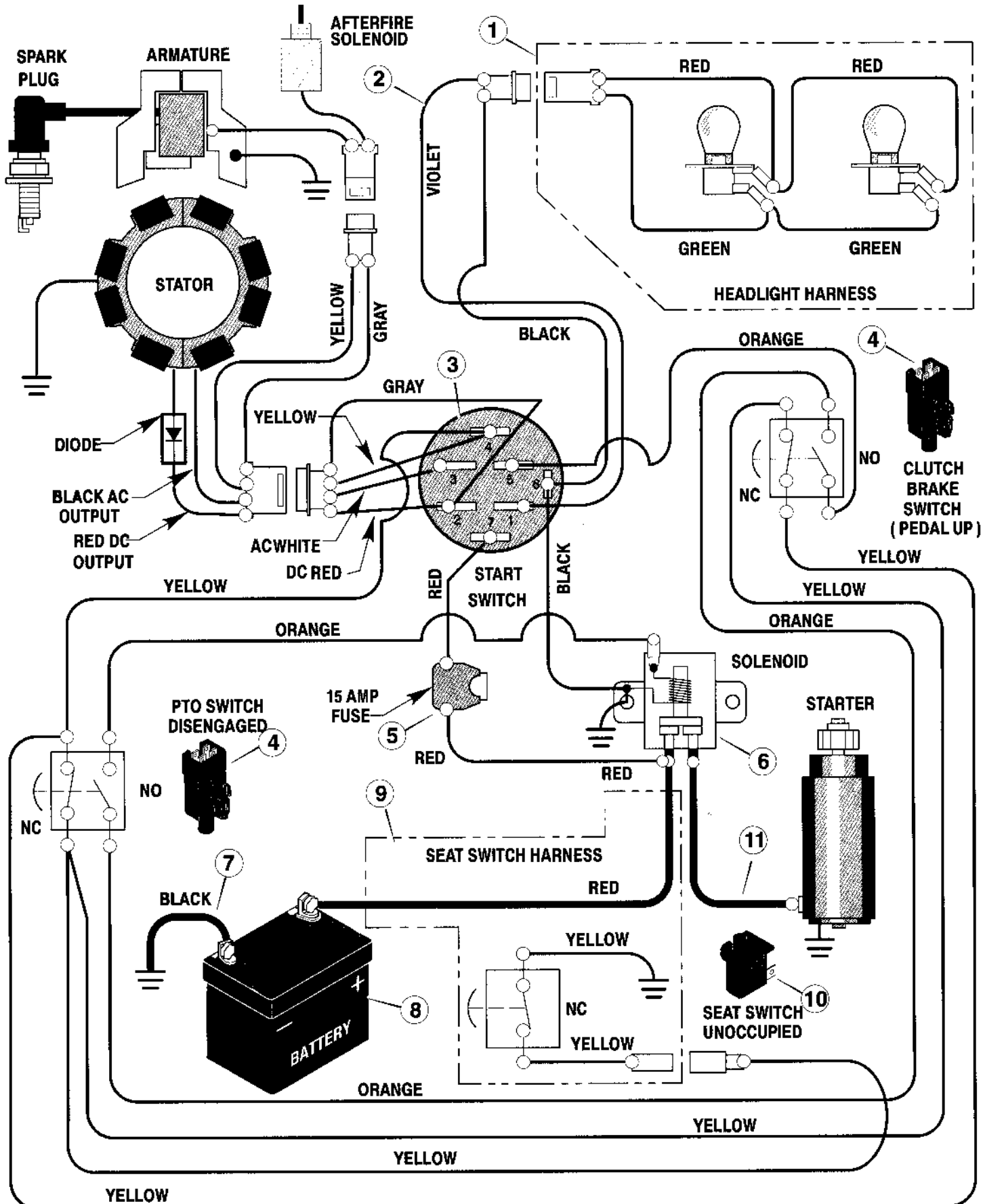
Key No.	Description	Part No.	Key No.	Description	Part No.
1	Pulley, Jackshaft	094199	33	Bolt, Carriage	002x53
2	Nut, Hex	15x140	34	Mandrell Housing	1001200
3	Belt, Mower Drive	037x88	35	Bracket, Suspension	690539E700
4	Pulley, Idler	690387	36	Adapter, Blade	690411
5	Nut, Flange	015x84	37	Blade	095100E701
6	Spacer, Pulley **	1001197	38	Washer	17x166
8	Link, Lift	690212E700	39	Washer	17x165
9	Pad, Friction	094137	40	Nut	15x100
10	Bolt, Shoulder	009x52	41	Spring	166x4
11	Bracket, Suspension	094055E700	42	Cap, Push On	028x23
12	Pad Assembly, Left Brake	094049E700	43	Rod, Deflector	094957 Z
13	Knob	094068	44	Deflector Assembly	094707 SE
14	Bolt, Shoulder	009x51	45	Bracket, Deflector Hinge	094956E700
15	Plate, Suspension	094128E700	46	Bracket, Front Hanger	094686E701
16	Spring	166x43	47	Washer	017x45
17	Nut, Flange	015x79	48	Guide, Belt	094781
18	Bracket, Suspension	094192E700	49	Spacer	690369
19	Pin, Hanger	095194	50	Bolt, Axle	094025
20	Washer	017x91	51	Washer	017x91
21	Pin, Hair	0031x4	52	Spring, Extension	165x119
22	Bolt	0025x7	53	Wheel, Gage	092683
23	Cover, Pulley	094051E700	54	Bracket, Right Wheel	1001260E700
24	Bolt, Shoulder	009x39	55	Bracket, Left Wheel	092423E700
25	Arm, Idler	690408E700	56	Washer	017x87
26	Spring	166x41	57	Screw	26x249
27	Pad Assembly, Right Brake	094047E700	58	Stiffener	094604E700
28	Bracket, Brake	094193E700	59	Housing, Blade *	094814E700
29	Spring	166x42	60	Ring, Locking	031x11
30	Bracket, Suspension	094191E700	61	Nut, Flange	015x98
31	Plate	092426E700	1-61	Complete Mower Housing Assembly	7601032
32	Nut, Flange	015x88	62	Guide, Belt	094066

\* Includes Key No. 17, 18, 30, 31, 32, 33, 45, 46, 53, 54, 55, and 56.

\* This part is included when ordering Key number 34.



<b>Key No.</b>	<b>Description</b>	<b>Part No.</b>
1	Fuel Cap **	092317
2	Fuel Tank	094073
3	Hose Clamp **	095197
4	Fuel Line (Must cut to length) **	7601033
5	Hose Clamp **	095197
6	Screw	26x201
7	Plate, Engine	094006E700
8	Throttle Control	092371
9	Engine	----
10	Bolt, Engine Mount	0025x7
11	Stack Pulley Assembly	690439 Z
12	Lockwasher	019x35
13	Bolt, Hex	1x140
14	Washer	17x170
15	Screw	26x249
21	Guide, Belt	094384
22	Nut, Flange	015x79 Z
23	Guide, Belt	094066
26	Screw	26x253
31	Muffler	1001432
32	Gasket	091309
33	Screw	06x103
34	Washer	018x15
35	Screw	026x263

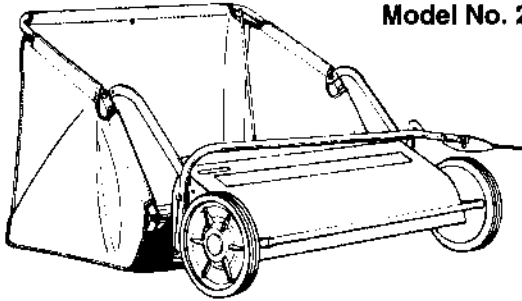


<b>Key No.</b>	<b>Description</b>	<b>Part No.</b>
1	Harness, Light Wire	250x92
	Socket, Light	92372
	Bulb, Light	90084
2	Harness, Chassis Wire	250x117
3	Switch, Ignition	<del>92556</del>
	Key, Ignition	20729
	Nut, Hex	91489
	Cap, Ignition	91488
4	Switch, Limit	94136
5	Fuse	54212
	Holder, Fuse	407078
6	Solenoid	7769224
	Screw, Mounting	26x229
	Locknut	15x116
7	Cable, Battery Ground	24x32
	Screw, Ground Cable	26x213
8	Battery	21075
	Bolt, Carriage	2x82
	Wingnut	14x79
9	Harness, Seat Switch Wire	250x67
10	Switch, Seat Sensor	94159
11	Cable	24x31

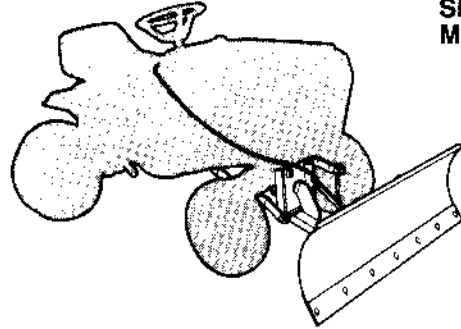
# LAWN TRACTOR ACCESSORIES

**Make your Lawn Tractor do more than you ever imagined.**

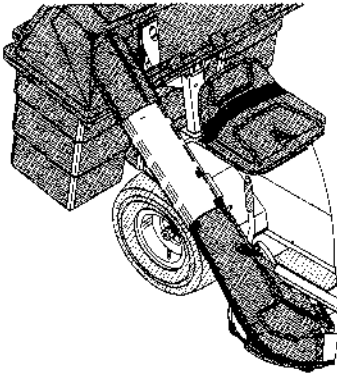
The accessories shown on this page can be used on your Lawn Tractor. See the Store or Dealer where you purchased your Lawn Tractor. If you are unable to obtain the necessary information, contact the Central Parts Distribution Center for your area as listed in your Repair Parts Book.



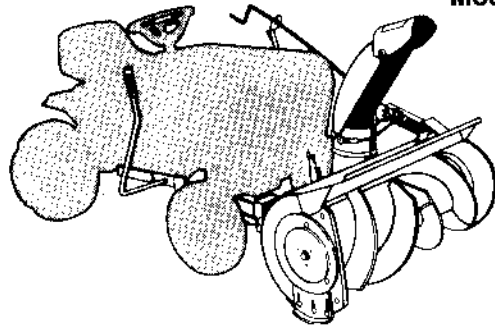
**LAWN SWEEPER**  
Model No. 24720



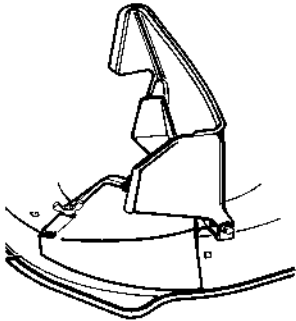
**SNOW BLADE**  
Model No. 24478



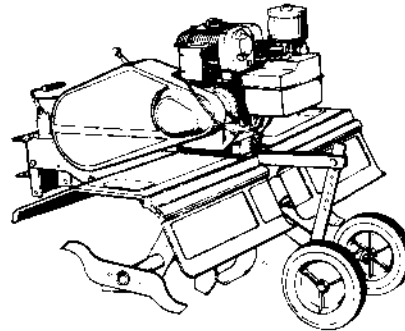
**GRASS BAGGER**  
Model No. 24767  
9 Bushel Capacity  
(For 42" and 46")



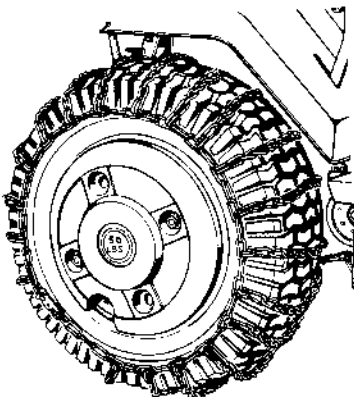
**SNOW THROWER**  
Model No. 24583



**38" MULCHER KIT**  
Model No. 24750  
**40" MULCHER KIT**  
Model No. 24755  
**42" MULCHER KIT**  
Model No. 24758

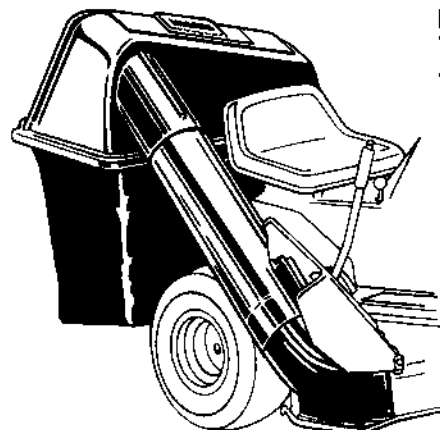


**GARDEN TILLER**  
Model No. 13460



**TIRE CHAINS**  
Model No. 24530  
(For 18x8.5 inch tire)  
Model No. 24538  
(For 18x9.5 inch tires)  
Model No. 24525  
(For 20x8 inch tire)  
Model No. 24515  
(For 20x10 inch tire)  
Model No. 24539  
(For 23x9.5 inch tire)

**REAR WHEEL WEIGHTS**  
Model No. 24003  
(For 18x9.5 inch tires)  
(For 20x8 inch tires)  
Model No. 24630  
(For 23 inch tires)



**GRASS BAGGER**  
Model No. 24744  
7 Bushel Capacity  
(For 38", 40", and 42")

Made in U.S.A.