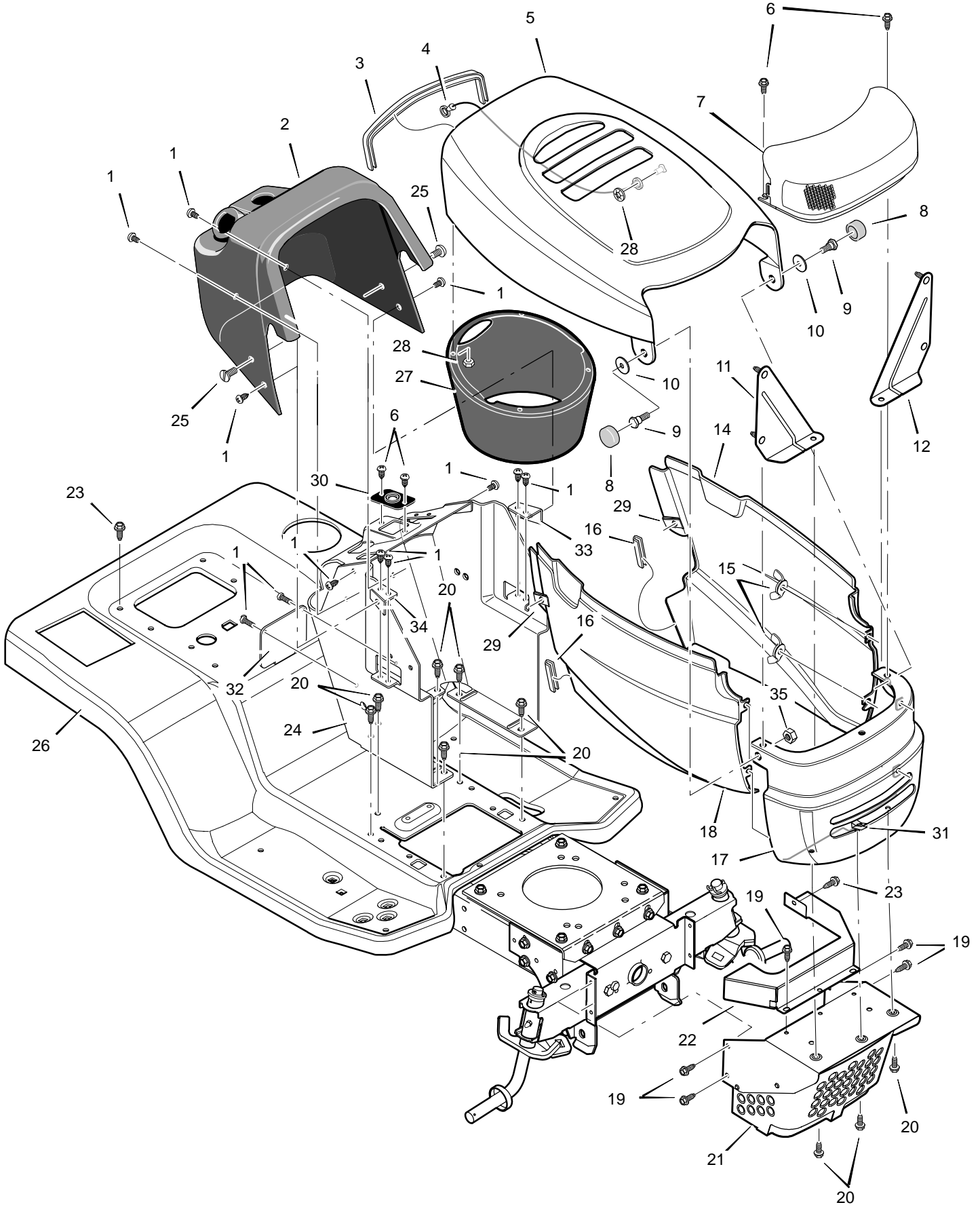


MODEL 425605x692B

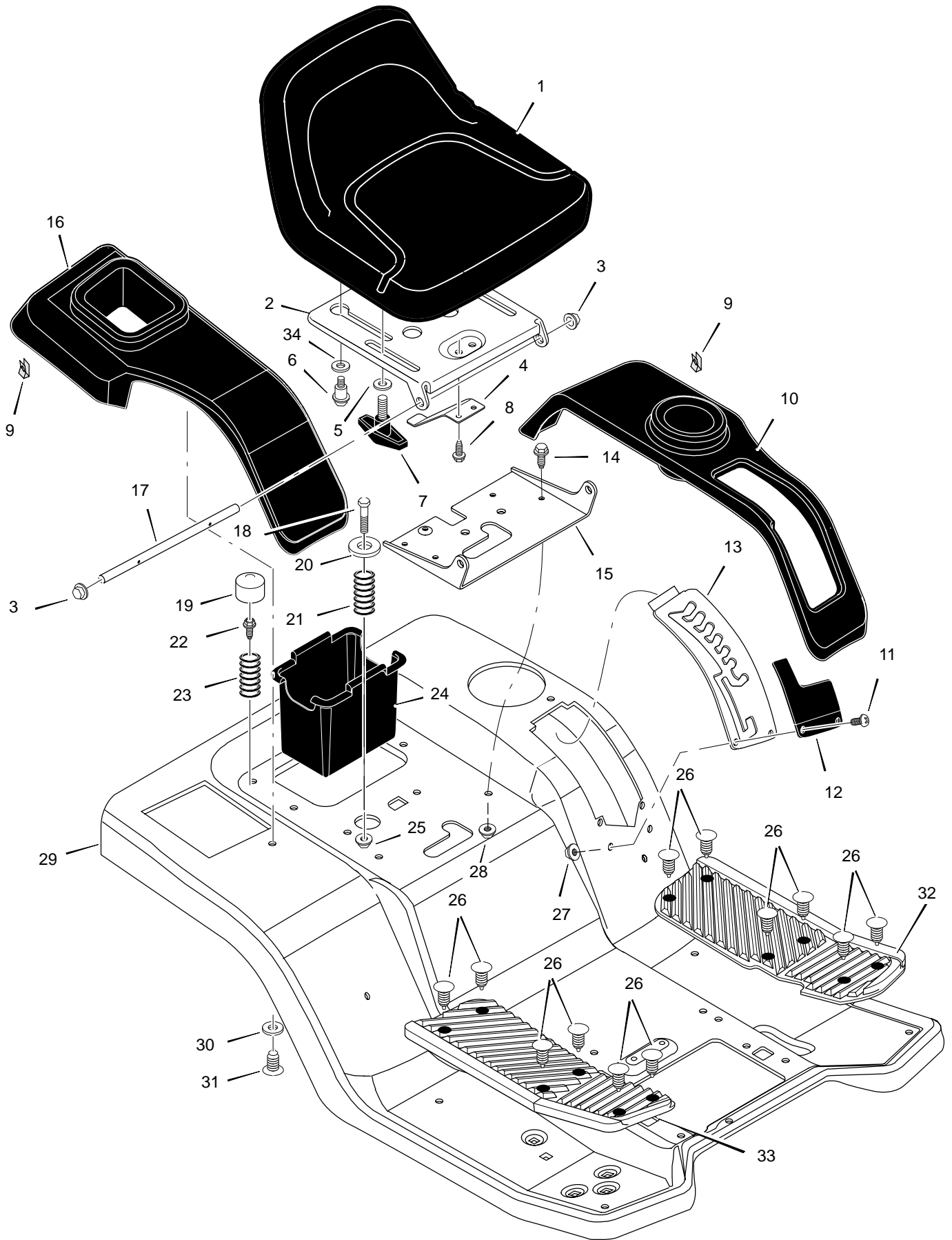
REPAIR PARTS HOOD & GRILL



MODEL 425605x692B

REPAIR PARTS HOOD & GRILLE

Key No.	Description	Part No.
1	Screw	26x270
2	Dash	1001113
3	Trim 2.23"	7601029
4	Cable	643129
5	Hood Assembly	1001186E010
6	Screw	26x238
7	Lens & Reflector Assembly	95234
8	Cap, Pivot	690113
9	Bolt, Shoulder	009x49
10	Base, Pivot	690114
11	Brace, Right Grille Assembly	1001169E701
12	Brace, Left Grille Assembly	1001171E701
14	Panel, Left Side	094457E700
15	Wingnut	014x79
16	Trim 0.39"	7601029
17	Grille	1001126E700
18	Panel, Right Side	094458E700
19	Screw	26x277
20	Screw	26x249
21	Guard Assembly, Muffler	1001191
22	Shield, Upper Heat	1001155
23	Screw	26x263
24	Console	095173E700
25	Screw	26x239
26	Deck Seat	1001099E700
27	Plenum	1001157
28	Retainer, Push	028x49
29	Cap, Push	028x23
30	Bearing, Steering	094075
31	U-Nut	028x57
32	Panel, Access	093007E700
33	Bracket, Right Console	094464
34	Bracket, Left Console	094465
35	Nut	015x84
—	Book, Instruction	F-020714L



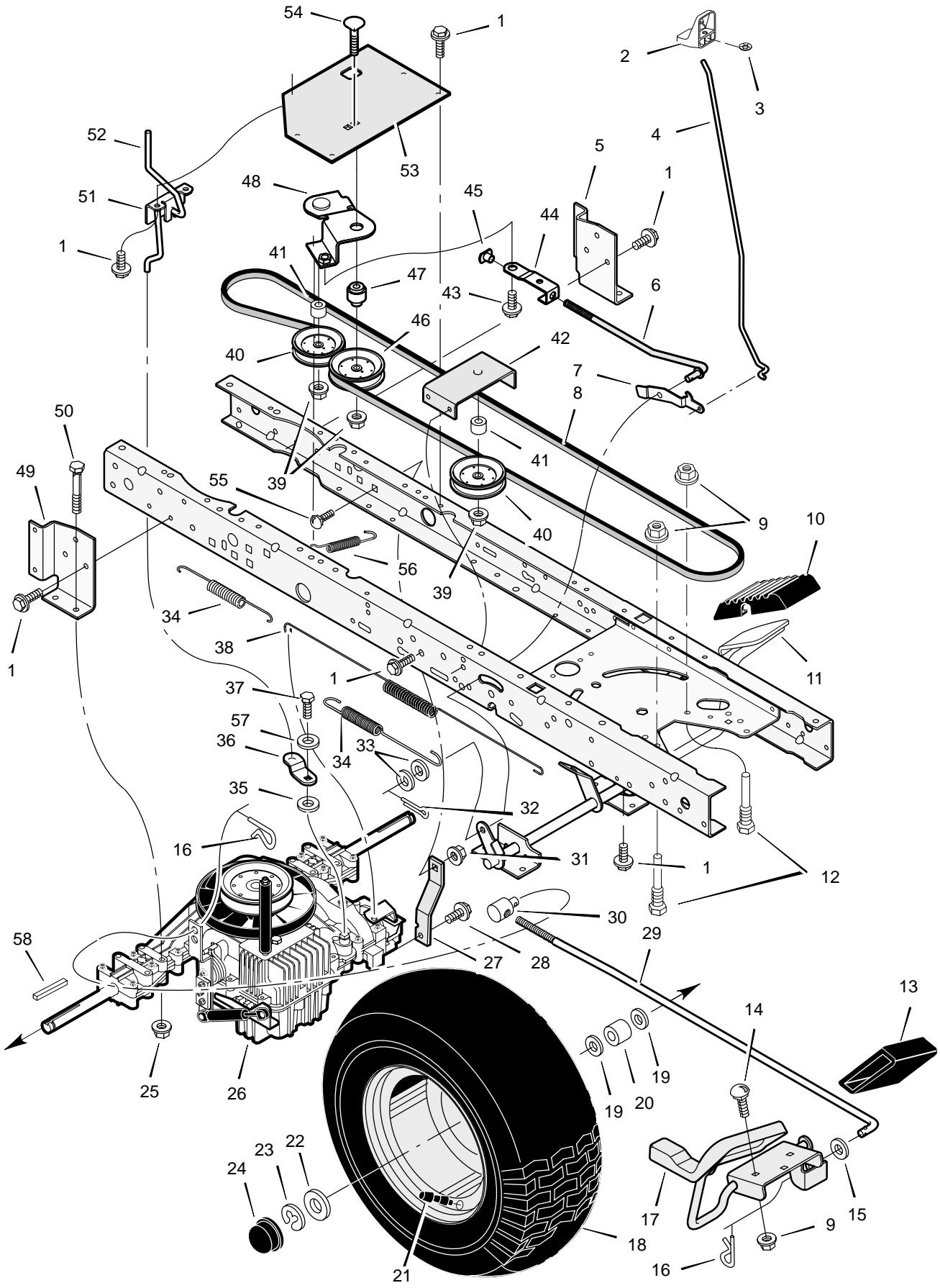
MODEL 425605x692B

REPAIR PARTS REAR BODY

Key No.	Description	Part No.
1	Seat	1001028
2	Support, Seat	094154E700
3	Capo, Push	028x23
4	Spring, Leaf	094057
5	Washer	017x47
6	Bolt, Shoulder	009x56
7	Bolt, Wing	1001054
8	Screw	26x229
9	U-Clip	1001218
10	Panel, Shoulder –Left	1001095
11	Bolt, Shoulder	009x47
12	Cover, Detent Lockout	094483
13	Plate, Lift Detent	094194E700
14	Bolt, Hex	001x45
15	Bracket, Pivot	094153E700
16	Panel, Shoulder –Right	1001094
17	Rod, Pivot	094156 Z
18	Bolt, Shoulder	009x55
19	Cap	020107
20	Washer, Cup	094155 Z
21	Spring, Compression	164x31
22	Screw	26x249
23	Spring, Compression	164x30
24	Container, Battery	690424
25	Nut, Centerlock	015x89
26	Fastener, Panel	0193x1
27	Locknut	015x81
28	Nut, Nylock	15x123
29	Deck, Seat	1001099E700
30	Washer	17x207
31	Screw	26x284
32	Mat, Left	095408
33	Mat, Right	095409
34	Washer	17x102

MODEL 425605x692B

REPAIR PARTS DRIVE ASSEMBLY



MODEL 425605x692B

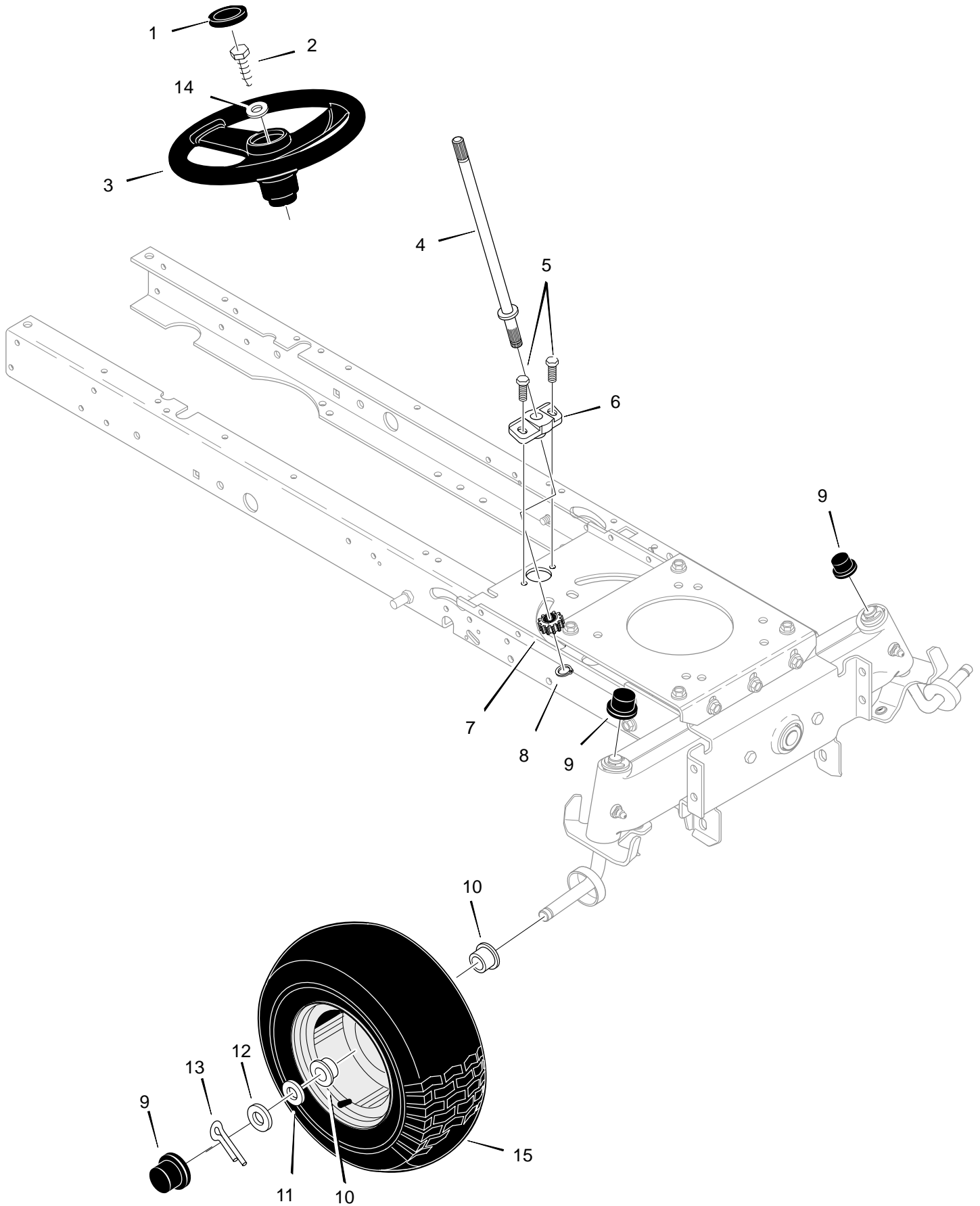
REPAIR PARTS DRIVE ASSEMBLY

Key No.	Description	Part No.	Key No.	Description	Part No.
1	Screw	26x249	29	Rod, Control	1001234 Z
2	Knob, Parking Brake	095315	30	Nut, Adjusting	092132
3	Nut, Push	711691	31	Nut, Centerlock	015x84
4	Rod, Parking Brake	1001217 Z	32	Pin, Cotter	030x20
5	Bracket, Left Transaxle	094185E701	33	Washer	017x48
6	Rod, Clutch	1001013 Z	34	Spring, Extension	165x92
7	Latch, Parking Brake	094045 Z	35	Washer	17x148
8	V-Belt, Drive	7769209	36	Arm, Disconnect	1001086 Z
9	Nut, Flange	105x79	37	Capscrew	06x105
10	Pad, Brake/Clutch	095220	38	Spring, Brake	165x150
11	Rod Assembly, Clutch/Brake	1001190	39	Locknut, Flange	015x98
12	Screw, Guide	094384	40	Pulley, Idler	690409
13	Pad, Pedal	094798	41	Spacer	690369
14	Bolt, Carriage	002x53	42	Bracket, Idler Assembly	1001097
15	Washer	017x57	43	Bolt, Shoulder	009x49
16	Pin, Hair	0031x4	44	Link, Clutch	1001007 Z
17	Pedal Assembly, Hydro	1001231E701	45	Nut, Tee	1001014
18	Wheel & Tire Assembly	092300-010	46	Pulley, Idler	690410
--	Tire ONLY	024430	47	Bushing, Pivot	1001012
--	Tube ONLY	407065	48	Arm Assembly, Idler	1001018 Z
19	Washer	17x160	49	Bracket, Right Transaxle	094184E701
20	Spacer	690554 Z	50	Bolt, Hex	01x155
21	Stem, Valve	024373	51	Bracket, Disconnect	1001214 Z
22	Washer	17x195	52	Rod, Disconnect	1001215 Z
23	E-Ring	0011x3	53	Bracket, Idler Pivot	1001108E701
24	Cap, Hub	094618	54	Bolt, Carriage	002x92
25	Nut, Centerlock	15x88	55	Bolt, Carriage	200x78
26	Transaxle *	————	56	Spring, Clutch	165x155
27	Strap, Torque	1001085E701	57	Washer	017x38
28	Screw	26x216	58	Key, Square	021553

* For information on Replacement Parts see the Central Parts Distributor in your area.

MODEL 425605x692B

REPAIR PARTS STEERING ASSEMBLY



MODEL 425605x692B

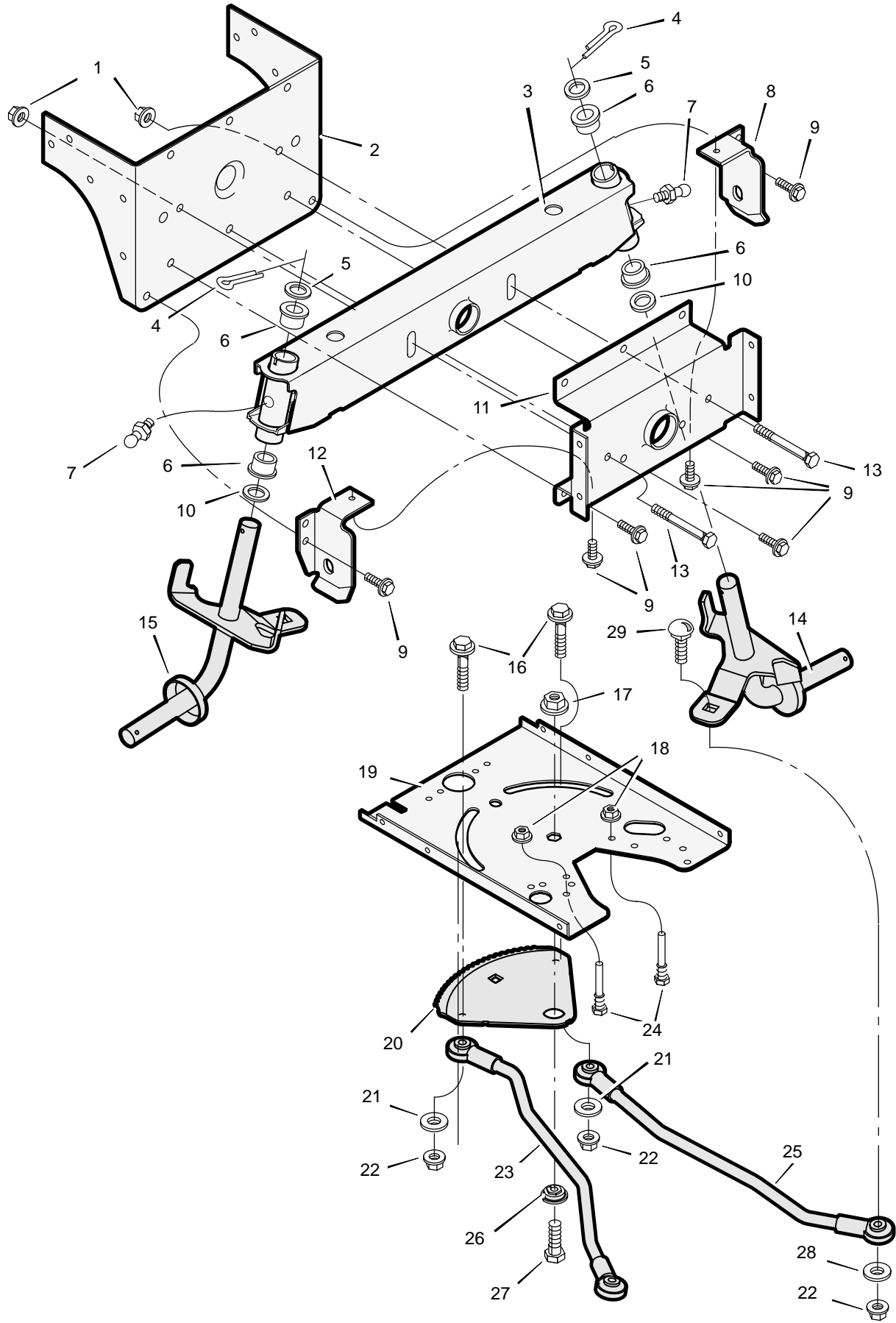
REPAIR PARTS STEERING ASSEMBLY

Key No.	Description	Part No.
1	Cap	1001255
2	Screw	0025x3
3	Wheel, Steering	1001226
4	Shaft Assembly , Steering	690337
5	Screw	26x267
6	Bearing **	094124
7	Gear, Pinion **	690183
8	Ring, Snap**	011x25
9	Cap	094618
10	Bearing, Wheel	091334
11	Washer	17x195
12	Washer	17x192
13	Pin, Cotter	030x49
14	Washer	17x146
15	Wheel & Tire, Front	094581-601
--	Tire Only	091912
--	Tube	407924
--	Stem, Valve	024373

** These parts are included when ordering Key number 4.

MODEL 425605x692B

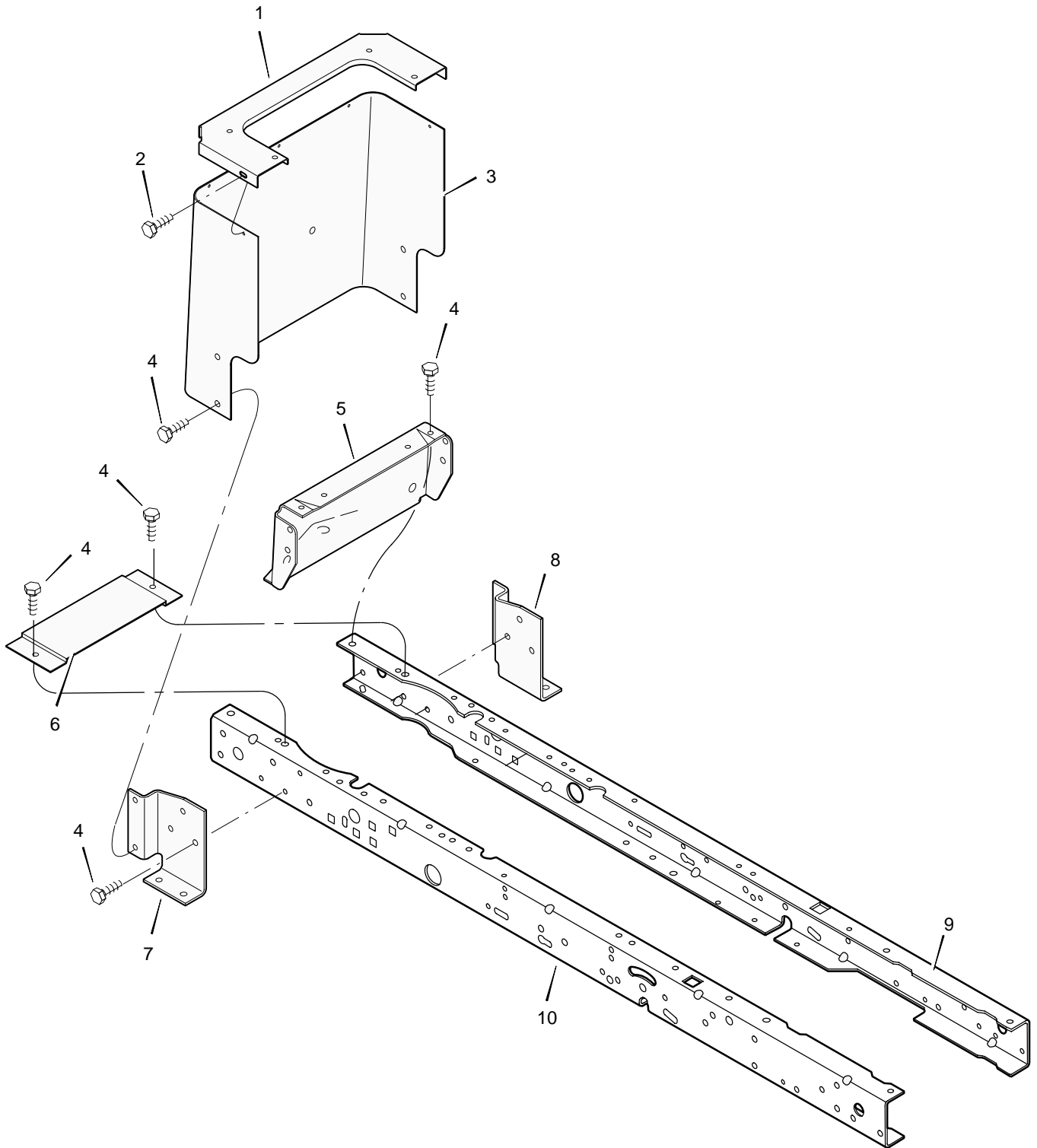
REPAIR PARTS FRONT AXLE



MODEL 425605x692B

REPAIR PARTS FRONT AXLE

Key No.	Description	Part No.
1	Locknut, Flange	15x118
2	Bracket, Rear Hanger	1001270E701
3	Assembly, Axle (with Zerk)	690211E700
4	Pin, Cotter	030x49
5	Washer	17x195
6	Bearing, Spindle	690150
7	Fitting, Grease	092530
8	Hanger, Left Deck	094027E700
9	Screw	26x249
10	Washer	17x113
11	Hanger, Axle	094007E700
12	Hanger, Right Deck	094026E700
13	Bolt, Hex	01x146
14	Assembly, Left Spindle	1001173E701
15	Assembly, Right Spindle	1001175E701
16	Bolt, Shoulder	009x62
17	Locknut, Flange	15x111
18	Locknut, Flange	015x79
19	Plate, Steering Mount	1001121E701
20	Gear, Sector	1001176
21	Washer	17x168
22	Nut, Flange Centerlock	015x84
23	Link, Drag –Right	1001178E701
24	Guide, Belt	094384
25	Link, Drag –Left	1001177E701
26	Bearing, Sector Gear	094123
27	Bolt, Hex	001x84
28	Washer	17x104
29	Bolt, Carriage	002x96



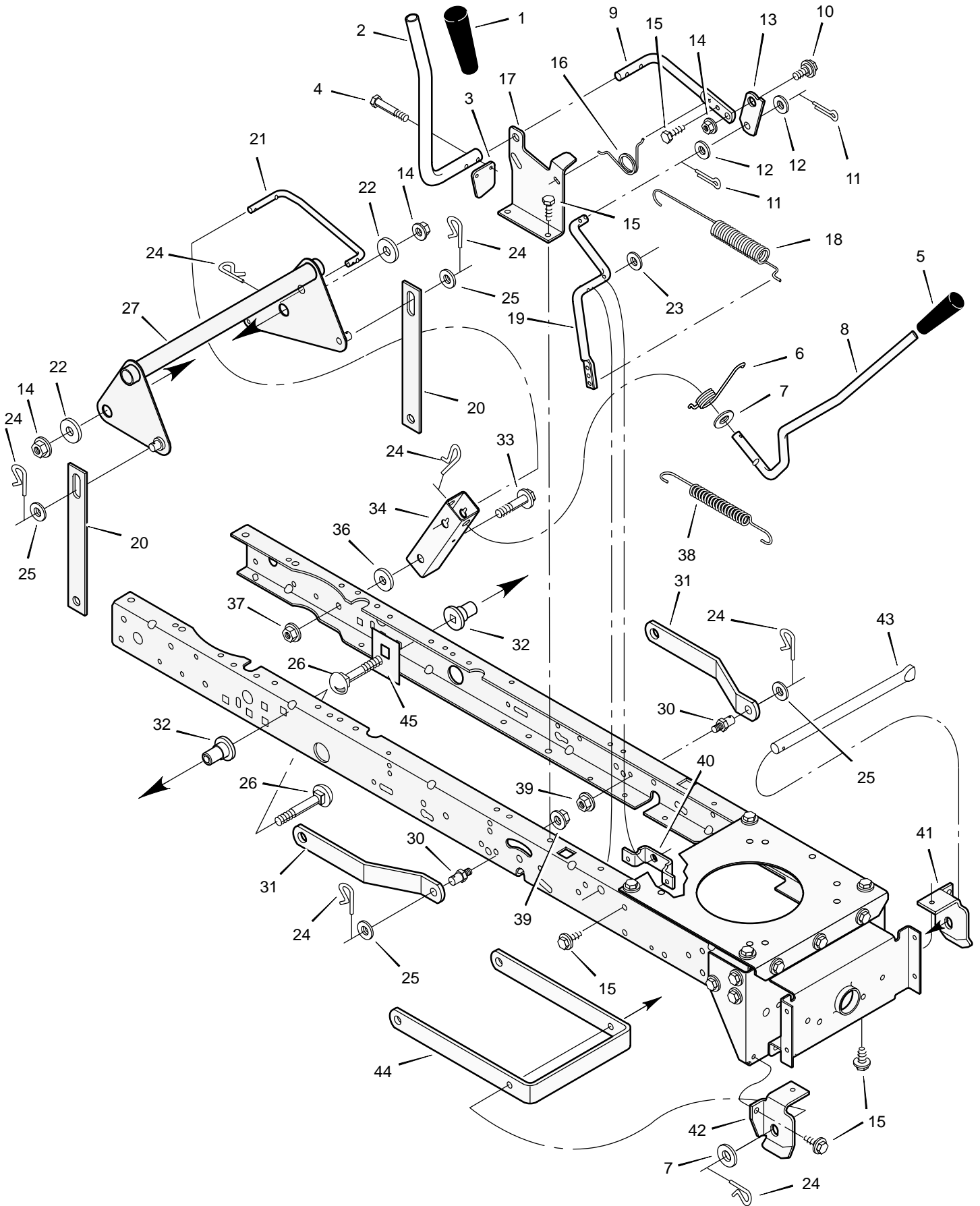
MODEL 425605x692B

REPAIR PARTS FRAME ASSEMBLY

Key No.	Description	Part No.
1	Plate, Top Rear	94186E700
2	Screw	26x270
3	Plate, Rear	690218E700
4	Screw	26x249
5	Plate, Hitch	1001002E701
6	Bracket, Support	690482E701
7	Bracket, Right Transaxle	94184E700
8	Bracket, Left Transaxle	94185E700
9	Frame, Left	1001269E701
10	Frame, Right	1001268E701

MODEL 425605x692B

REPAIR PARTS MOWER HOUSING SUSPENSION



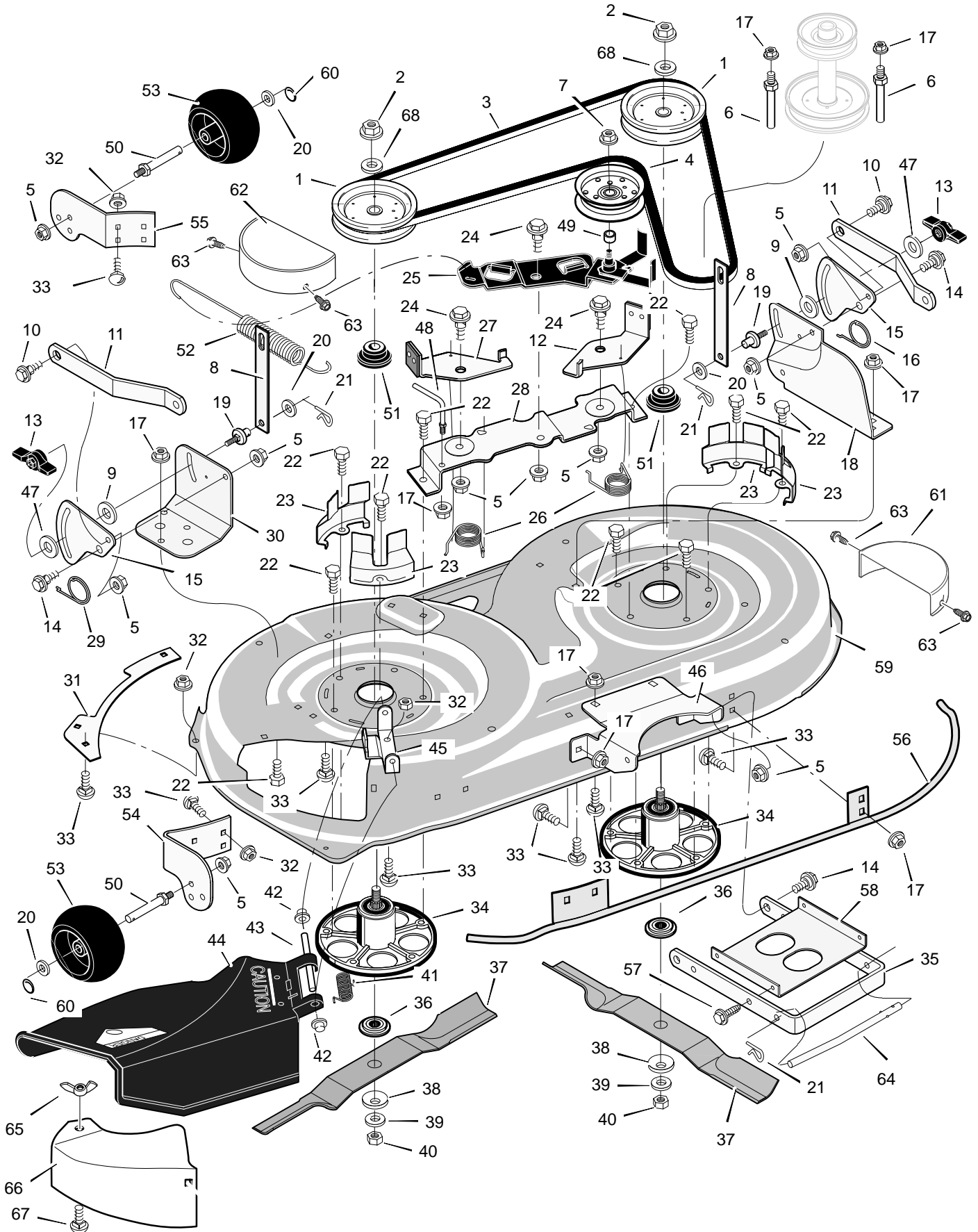
MODEL 425605x692B

REPAIR PARTS MOWER HOUSING SUSPENSION

Key No.	Description	Part No.	Key No.	Description	Part No.
1	Grip	094496	22	Washer	17x168
2	Handle, PTO	094826 Z	23	Washer	017x57
3	Pad, Switch	094022 Z	24	Pin, Hair	00031x4
4	Bolt	0025x3	25	Washer	017x91 Z
5	Grip	094497	26	Bolt, Carriage	002x85
6	Spring	166x40	27	Lever Assembly, Lift	1001111E701
7	Washer	17x103	30	Pin	094067
8	Lever, Lift	690533	31	Bracket, Rear Suspension	094055E700
9	Lever, PTO	094017 Z	32	Spacer, Lifter	690151
10	Bolt, Shoulder	009x39	33	Bolt, Shoulder	009x53
11	Pin, Cotter	030x20	34	Bracket, Pivot	094015E700
12	Washer	017x57	36	Washer	17x191
13	Link, PTO	094004 Z	37	Nut, Flange	015x84
14	Nut, Flange	015x84	38	Spring	165x131
15	Screw	26x249	39	Nut, Flange	015x68
16	Spring	166x39	40	Bracket, PTO Crank	094005E700
17	Bracket, PTO	094018E700	41	Hanger, Left Deck	094027E700
18	Spring	165x119	42	Hanger, Right Deck	094026E700
19	Crank, PTO	690394E700	43	Rod, Hanger	094158 Z
20	Link, Lift	690212E700	44	Bracket, Suspension	690539E700
21	Link, Lift Handle	690122E700	45	Plate, Stiffening	1001098E701

MODEL 425605x692B

REPAIR PARTS MOWER HOUSING



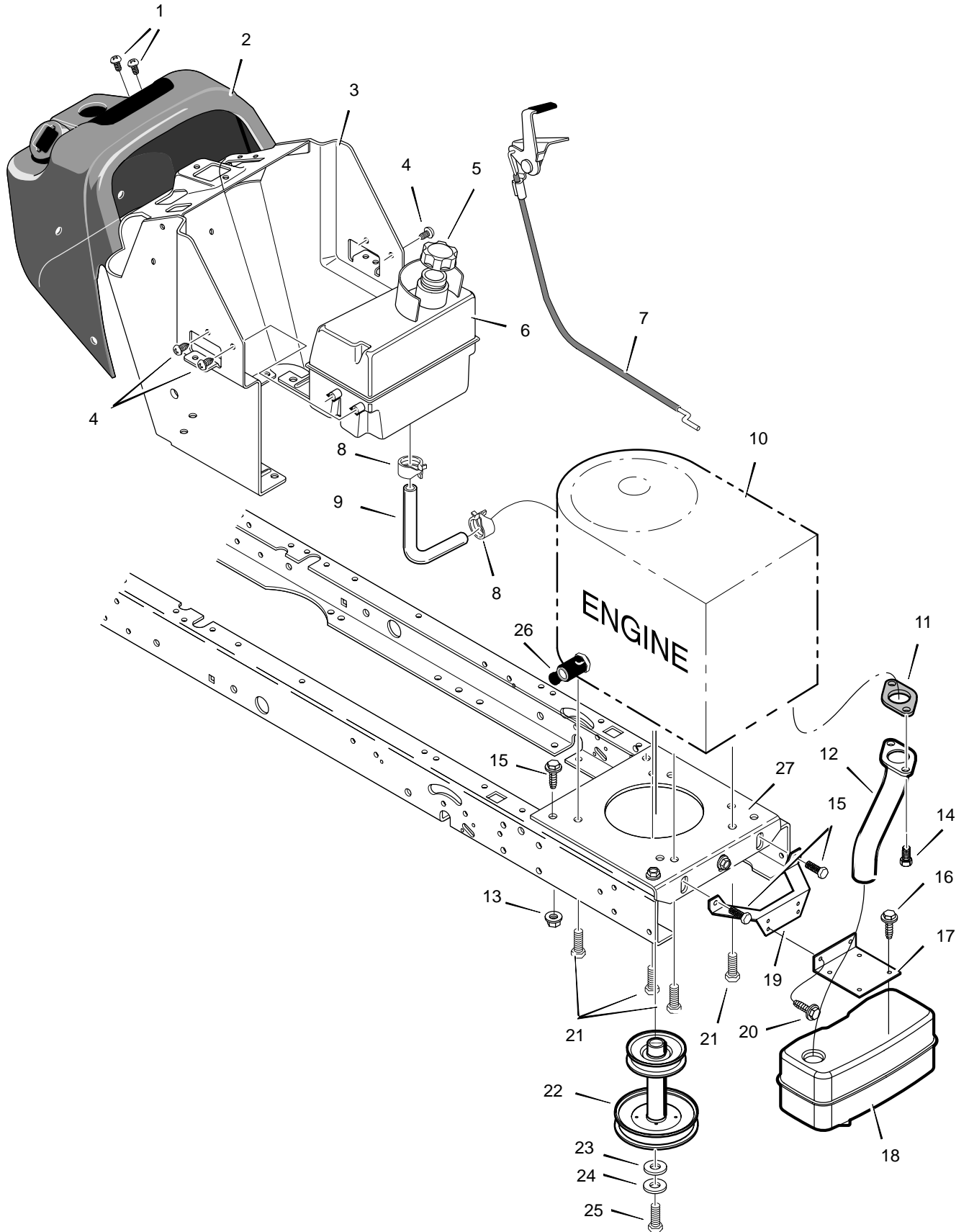
MODEL 425605x692B

REPAIR PARTS MOWER HOUSING

Key No.	Description	Part No.	Key No.	Description	Part No.
1	Pulley, Jackshaft	7769222	36	Adapter, Blade	7769213
2	Nut, Hex	15x121	37	Blade	7769203
3	Belt, Mower Drive	7769210	38	Washer	17x166
4	Pulley, Idler	690387	39	Washer	17x165
5	Nut, Flange	015x84	40	Nut	15x100
6	Guide, Belt	094066	41	Spring	0166x4
7	Nut, Flange	015x98	42	Cap, Push On	028x23
8	Link, Lift	690212E700	43	Rod, Deflector	094957 Z
9	Pad, Friction	094137	44	Deflector Assembly	094707
10	Bolt, Shoulder	009x52	45	Bracket, Deflector Hinge	094956E700
11	Bracket, Suspension	094055E700	46	Bracket, Front Hanger	094190E700
12	Pad Assembly, Left Brake	094049E700	47	Washer	017x45
13	Knob	095004	48	Guide, Belt	094781
14	Bolt, Shoulder	009x51	49	Spacer	690369
15	Plate, Suspension	094128E700	50	Bolt, Axle	094025
16	Spring	166x43	51	Spacer, Pulley	1001197
17	Nut, Flange	015x79	52	Spring, Extension	165x119
18	Bracket, Suspension –LH	094192E700	53	Wheel, Gauge	092265
19	Pin, Hanger	095194	54	Bracket, Right Wheel	1001260E700
20	Washer	017x91	55	Bracket, Left Wheel	92423E700
21	Pin, Hair	0031x4	56	Reinforcement Assembly	1001205E701
22	Bolt	0025x7	57	Screw	026x249
23	Cover, Pulley	094051E701	58	Stiffener	094604E700
24	Bolt, Shoulder	009x39	59	Housing, Blade *	1001152E700
25	Arm, Idler	690408E701	60	Ring, Locking	031x11
26	Spring	166x41	61	Guard, Left Pulley	094668E701
27	Pad Assembly, Right Brake	094047E700	62	Gurad, Right Pulley	094669E701
28	Bracket, Brake	094193E701	63	Screw	26x263
29	Spring	166x42	64	Rod, Front Hanger	094158 Z
30	Bracket, Suspension –RH	094191E700	1–64	Mower Housing Assembly, Complete	776007
31	Plate, Rear	092426E700	65	Wingnut	014x86
32	Nut, Flange	015x88	66	Plate, Mulch	095080E701
33	Bolt, Carriage	002x53	67	Bolt, Carriage	002x64
34	Mandrell Housing	1001200	68	Washer	017x87
35	Bracket, Suspension	690539E701			

* Includes Key No. 17, 18, 30, 31, 32, 33, 45, 46, 53, 54, 55, and 56.

** This part is included with Key number 34.



MODEL 425605x692B

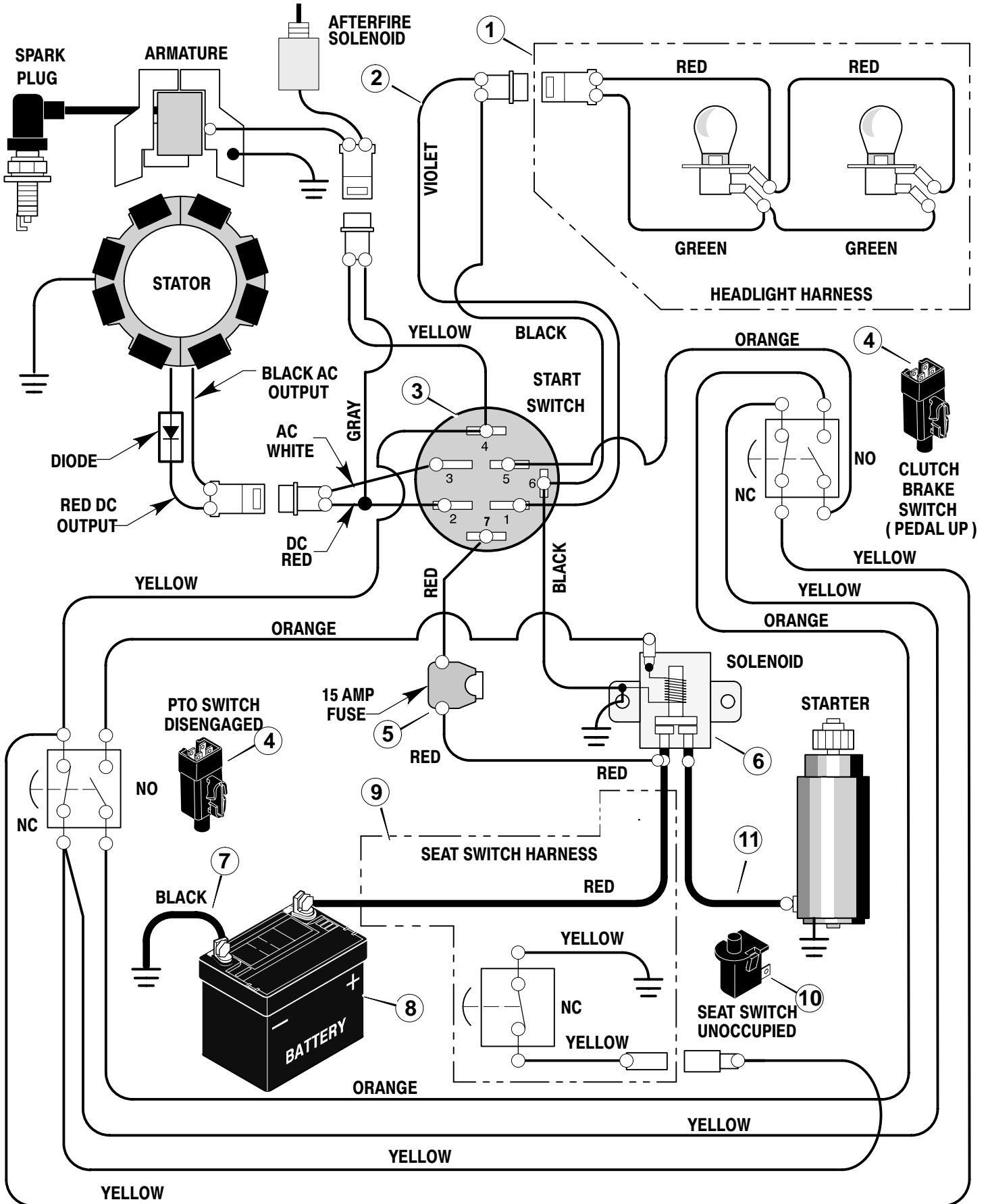
REPAIR PARTS ENGINE

Key No.	Description	Part No.
1	Screw	26x270
2	Dash	1001113
3	Console	095173
4	Screw	26x253
5	Cap, Fuel	092317
6	Tank, Fuel	094086
7	Control, Throttle	1001224
8	Clamp, Hose	095197
9	Line, Fuel (Must cut to length)	7601033
10	Engine *	————
11	Gasket, Exhaust	1001263
12	Tube, Exhaust	1001180
13	Nut	015x88
14	Screw	06x103
15	Screw	26x249
16	Screw	26x229
17	Bracket, Muffler	690538E701
18	Muffler	094654
19	Bracket, Muffler Mount	690537
20	Screw	26x213
21	Bolt, Engine Mount	0025x7
22	Pulley, Stack	690439 Z
23	Washer	17x170
24	Washer, Star	019x35
25	Bolt, Hex	01x140
26	Drain, Oil	325547
--	Drain, Cap	327422
27	Plate, Engine Mount	094006E700

* For information on Replacement Parts see the Central Parts Distributor in your area.

MODEL 425605x692B

REPAIR PARTS ELECTRICAL SYSTEM



MODEL 425605x692B

REPAIR PARTS ELECTRICAL SYSTEM

Key No.	Description	Part No.
1	Harness, Light Wire	250x106
	Socket, Light	092372
	Bulb, Light	090084
2	Harness, Chassis Wire	250x105
3	Switch, Ignition	092556
	Key, Ignition	7769214
	Nut, Hex	091489
	Cap, Ignition	091488
4	Switch, Limit	094136
5	Fuse	054212
	Holder, Fuse	407078
6	Solenoid	7769224
	Screw, Mounting	26x229
	Locknut	15x116
7	Cable, Battery Ground	024x32
	Screw, Ground Cable	26x277
8	Battery	021075
	Bolt, Carriage	002x82
	Wingnut	014x79
	Boot, Cable	024196
9	Harness, Seat Switch Wire	250x104
10	Switch, Seat Sensor	094159
11	Cable	024x31

MODEL 425605x692B

REPAIR PARTS DECALS

Ke No.	Description (Location)	Part No.	Qty.
--	Warning (Seat Deck)	44x7325	1
--	1-6 Hight Adjust -Lift (Seat Deck -Left Side)	48x778	1
--	Brake / Park Barke (Foot Rest -Left Side)	44x6668	1
--	Dump Valve (Under Seat on Pivot Bracket)	44x6669	1
--	Stanley Logo (Hood Sides)	48x771	2
--	Deck Level Position / only (Ht. Adjust Detent Plate)	44x6456	1
--	Hydro Auto (Hood Sides)	48x779	2
--	Stanley Logo	48x773	1
--	Stanley Logo	48x774	1
--	Steel Frame (Seat Deck)	48x789	1
--	Pedal Control Hydro / Auto (Console Sides)	48x777	2
--	Servive Relpacement Parts 42" (Under Hood)	48x3004	1
--	Dura Deck -42" (Mower Deck -Left Side)	48x790	1
--	Ever Start (Battery)	44x8063	1
--	Gage Wheel -Leveling (Suspension Plate -Left)	44x7228	2
--	No Step (Mower Deck -Left Side)	44x6870	1
--	Gage Wheel Instructions (Mower Deck -Left Side)	44x6600	1
--	Cut Finger (Mower Deck (Right Side)	48x236	1
--			
--			