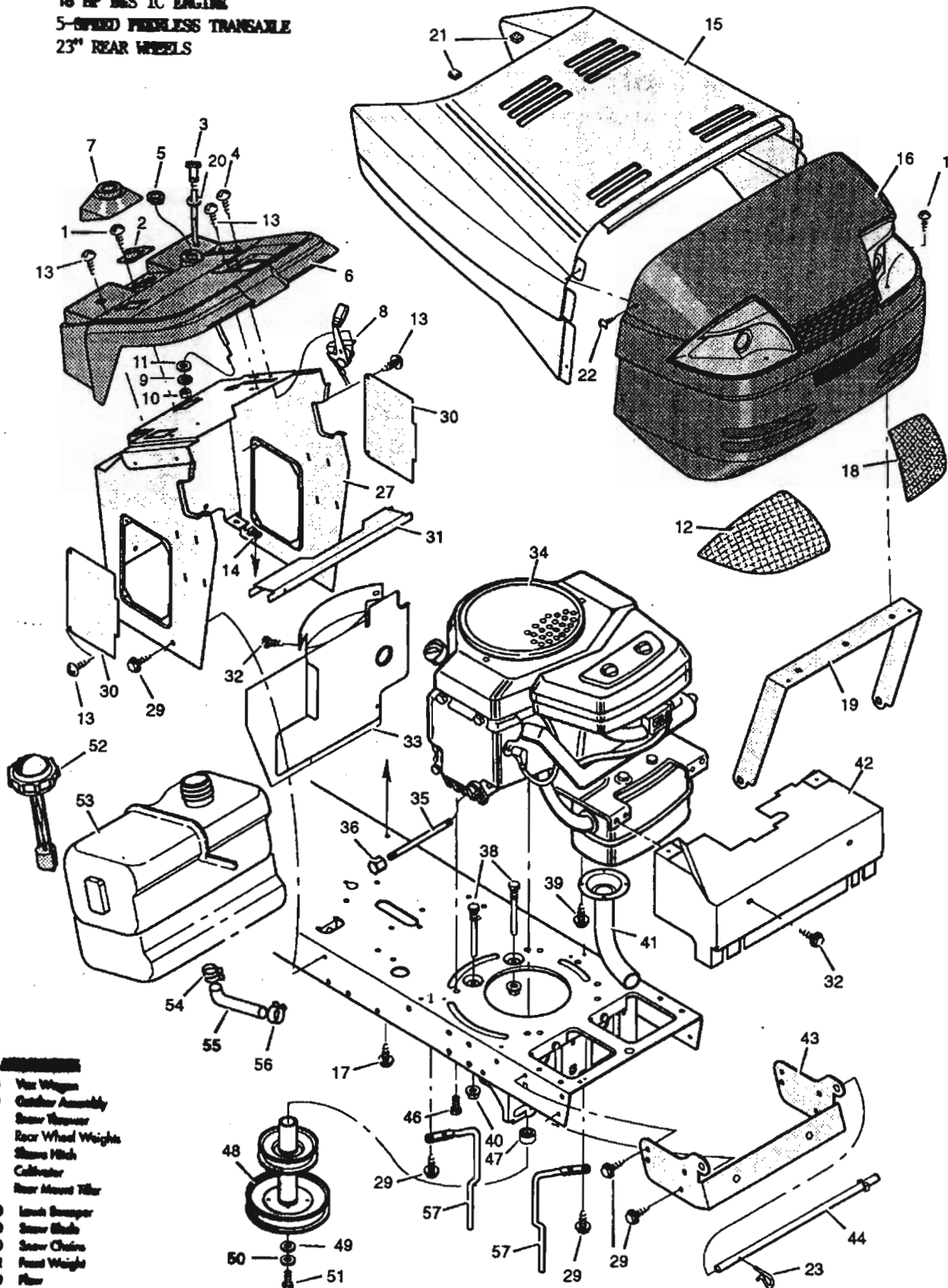


MODELS 46371A & 46371x92A

46" S/D - GARDEN TRACTOR
 18 HP B&S IC ENGINE
 5-SPEED FREELESS TRANSALE
 23" REAR WHEELS

REPAIR PARTS HOOD & ENGINE MOUNT



- 24884 Vex Wagon
- 24789 Outer Assembly
- 24598 Snow Thrower
- 24438 Rear Wheel Weights
- 24808 Snow Pitch
- 24490 Cultivator
- 13455 Rear Mount Tilt
- 24720 Lawn Sweeper
- 24469 Snow Blade
- 24820 Snow Chains
- 24788 Front Weight
- 24429 Flaw
- 24478 Disk Harrow

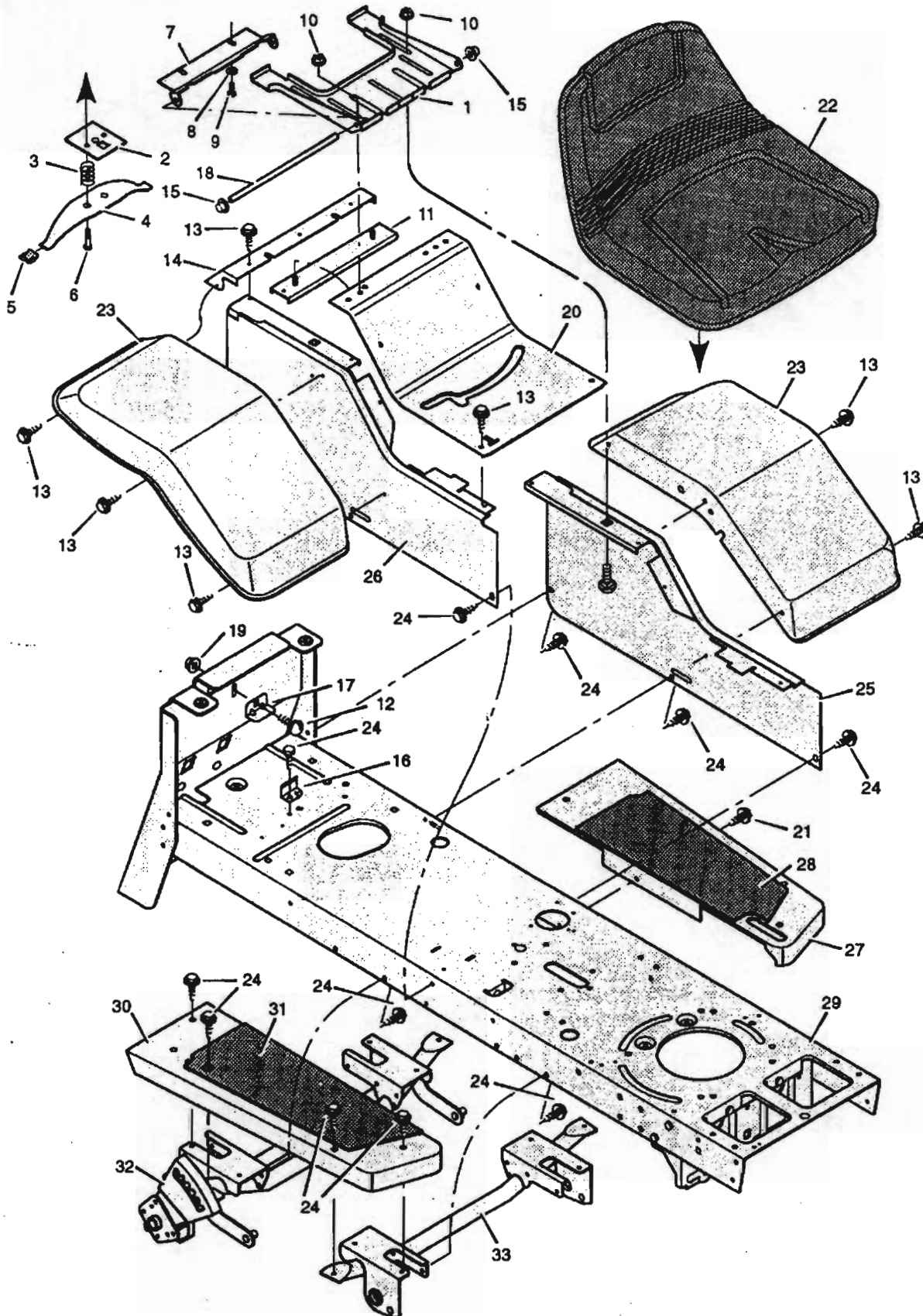
MODELS 46371A & 46371x92A**REPAIR PARTS
HOOD & ENGINE MOUNT**

Key No.	Description	Part No.	Key No.	Description	Part No.
1	Screw	26x239	31	Support, Fuel Tank	91329
2	Bearing, Steering Post	93144	32	Screw	25x2
3	Cable, Choke	91326	33	Baffle, Rear Heat	93214E701
4	Screw	26x201	34	Engine *	422707-1263-01
5	Bushing	55717	35	Oil Drain Extension	23783
6	Dash	93143	36	Oil Drain Cap	21651
7	Support, Bellows	93176	38	Guide, Belt	91754Z
8	Throttle Control	93165	39	Screw	26x208Z
9	Lockwasher	19x8	40	Locknut, Flange	15x88
10	Nut, Hex	15x33	41	Pipe, Exhaust	23743E701
11	Washer	17x52Z	42	Shield, Heat	93188
12	Lens, Right	92539	43	Support, Grille	93145E700
13	Screw	26x270	44	Rod, Pivot	93192Z
14	U-Nut	93154	46	Bolt, Hex	25x7
15	Hood	93215E245	47	Spacer, Engine	93077
16	Grille	92538	48	Pulley Assembly, Stack	92506Z
17	Screw	26x263	49	Washer	17x170
18	Lens, Left	92540	50	Lockwasher	19x35
19	Brace, Grille	92541Z	51	Bolt, Hex	1x140
20	Washer	17x185	52	Cap, Fuel	91349
21	Bumper	92444	53	Fuel Tank	93148
22	Screw	9x47	54	Clamp, Hose	91174
23	Pin, Hair	31x4	55	Fuel Line	90671
27	Console Assembly	93196E700	56	Clamp, Hose	23713
29	Screw	26x249	57	Guide, Belt	23789Z
30	Panel, Side Access	93163E700			

* The Engine Model, Type, and Code Numbers are on the engine. All parts to the engine are available from a Briggs & Stratton Authorized Service Center. See "Engines, Gasoline" or "Gasoline Engines" in the telephone directory.

MODELS 46371A & 46371x92A

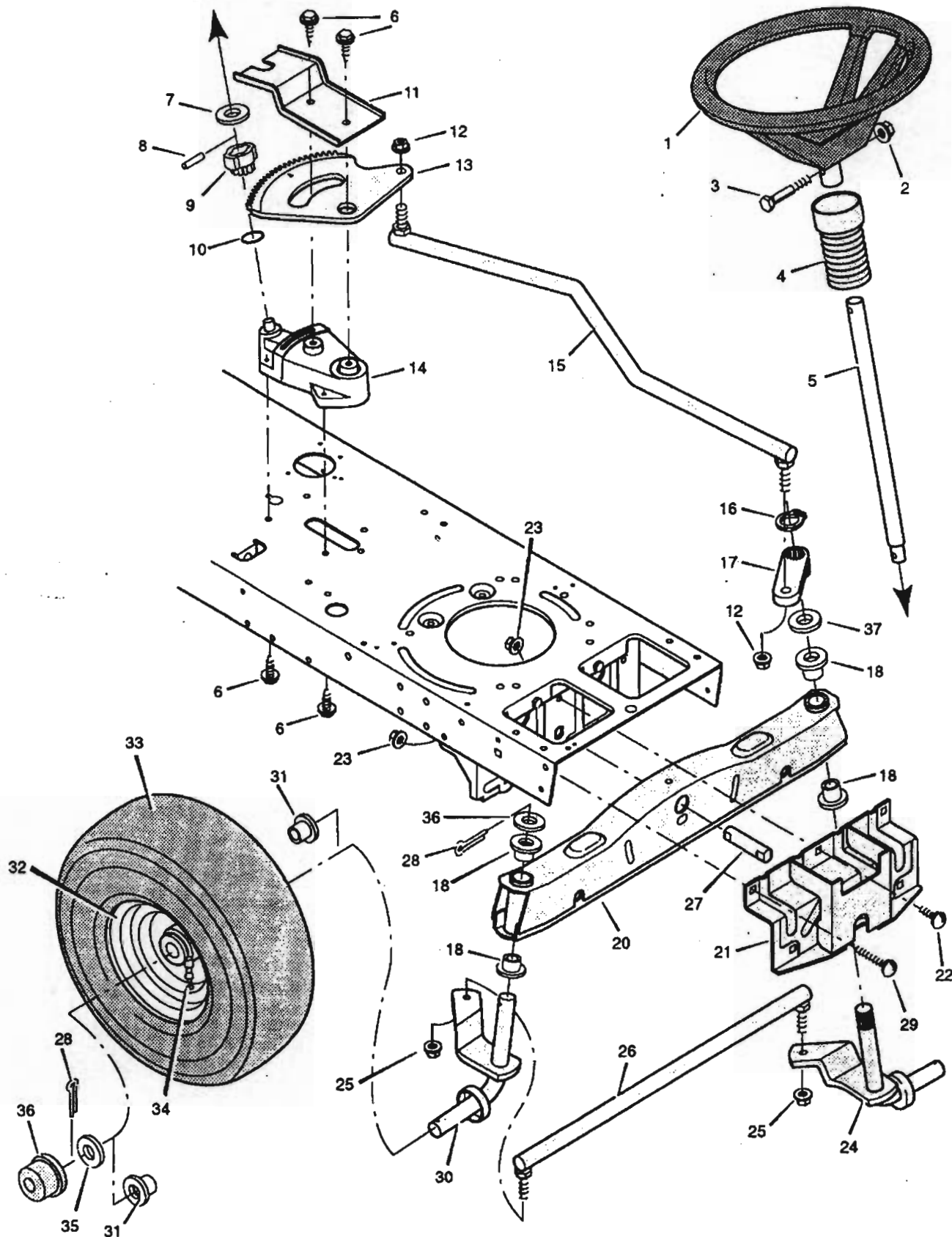
REPAIR PARTS BODY CHASSIS



Key No.	Description	Part No.
1	Support, Seat	92334E700
2	Plate Assembly, Switch	91963Z
3	Spring, Compression	164x26
4	Spring, Seat	91964
5	Glide, Spring	91822
6	Bolt, Shoulder	9x38
7	Bracket, Seat	92546E700
8	Lockwasher	18x16
9	Bolt, Hex	1x45
10	Locknut, Flange	15x88
11	Channel Assembly	92601E700
12	Bolt, Carriage	2x53
13	Screw	26x214
14	Insert, Rear	93043E700
15	Push On Cap	28x23
16	Clip, Battery	55149Z
17	Clamp, Battery	90632Z
18	Rod, Pivot	91730Z
19	Locknut	15x76
20	Panel, Top	93021E700
21	Fastener, Panel	193x1
22	Seat	92040
23	Fender	23006E245
24	Screw	26x249
25	Panel, Left	92599E700
26	Panel, Right	92598E700
27	Running Board, Left	93011E700
28	Mat, Left	93071
29	Frame Channel	403338
30	Running Board, Right	93010E700
31	Mat, Right	93070
32	Lifter and Support Assembly	93114E700
33	Support Assembly, Front	93013E700

MODELS 46371A & 46371x92A

REPAIR PARTS STEERING

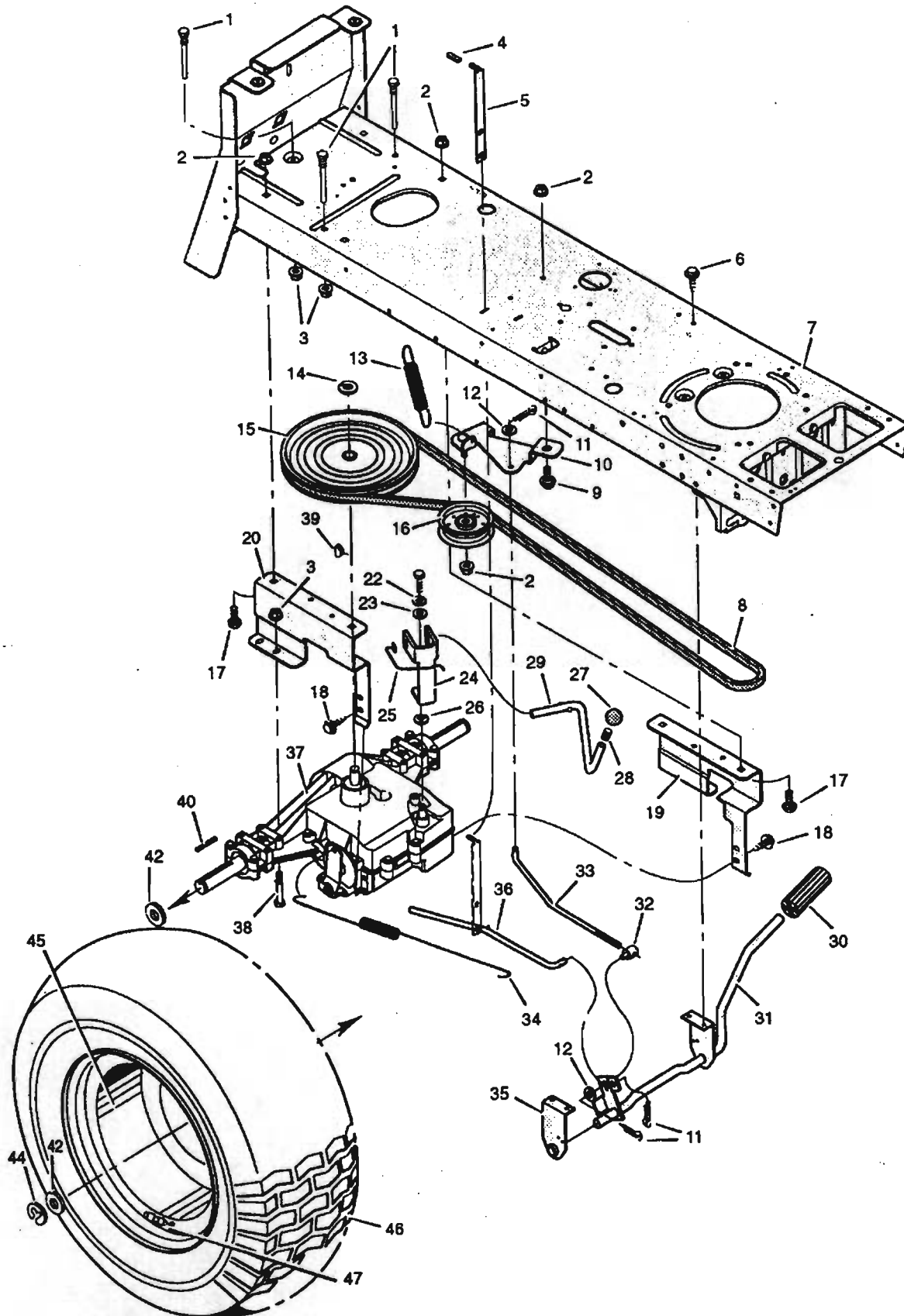


Key No.	Description	Part No.
1	Wheel, Steering	92076
2	Nut, Hex	15x118
3	Bolt, Hex	1x66
4	Bellows	91298
5	Post Assembly, Steering	93039
6	Screw	26x249
7	Washer (Incl'd with Key No. 5)	17x177
8	Pin, Spring (Incl'd with Key No. 5)	32x77
9	Gear Assembly, Pinion	93037
10	O-Ring (Incl'd with Key 9)	93068
11	Clip, Gear Retainer	93081E700
12	Locknut, Flange	15x112
13	Gear, Sector	93062E700
14	Support, Steering	93038
15	Link, Drag	93061E700
16	E-Ring	11x22
17	Arm, Drag Link	93059E700
18	Bearing	93058
20	Axle Assembly (with grease fittings)	93219E700
21	Hanger Assembly, Axle	93080E700
22	Bolt, Carriage	2x56
23	Locknut, Flange	15x84
24	Spindle Assembly, Left	93031E700
25	Locknut, Flange	15x87
26	Rod, Tie	93060E700
27	Pin, Pivot	21469
28	Pin, Cotter	30x49
29	Bolt, Carriage	2x60
30	Spindle Assembly, Right	93030E700
31	Bearing, Wheel (Incl'd with Key 32)	93064
32	Wheel & Tire Assembly	92644-601
33	Tire (Incl'd with Key 32)*	24393
—	Tube (Incl'd with Key 32)	407047
34	Stem, Valve (Incl'd with Key 32)	24373
35	Washer	17x114
36	Hub Cap (Optional)	24582
37	Shim	17x75

* When you order a tire, make sure to give the brand name of the tire so that the tread pattern on the tire will match.

MODELS 46371A & 46371x92A

REPAIR PARTS MOTION DRIVE



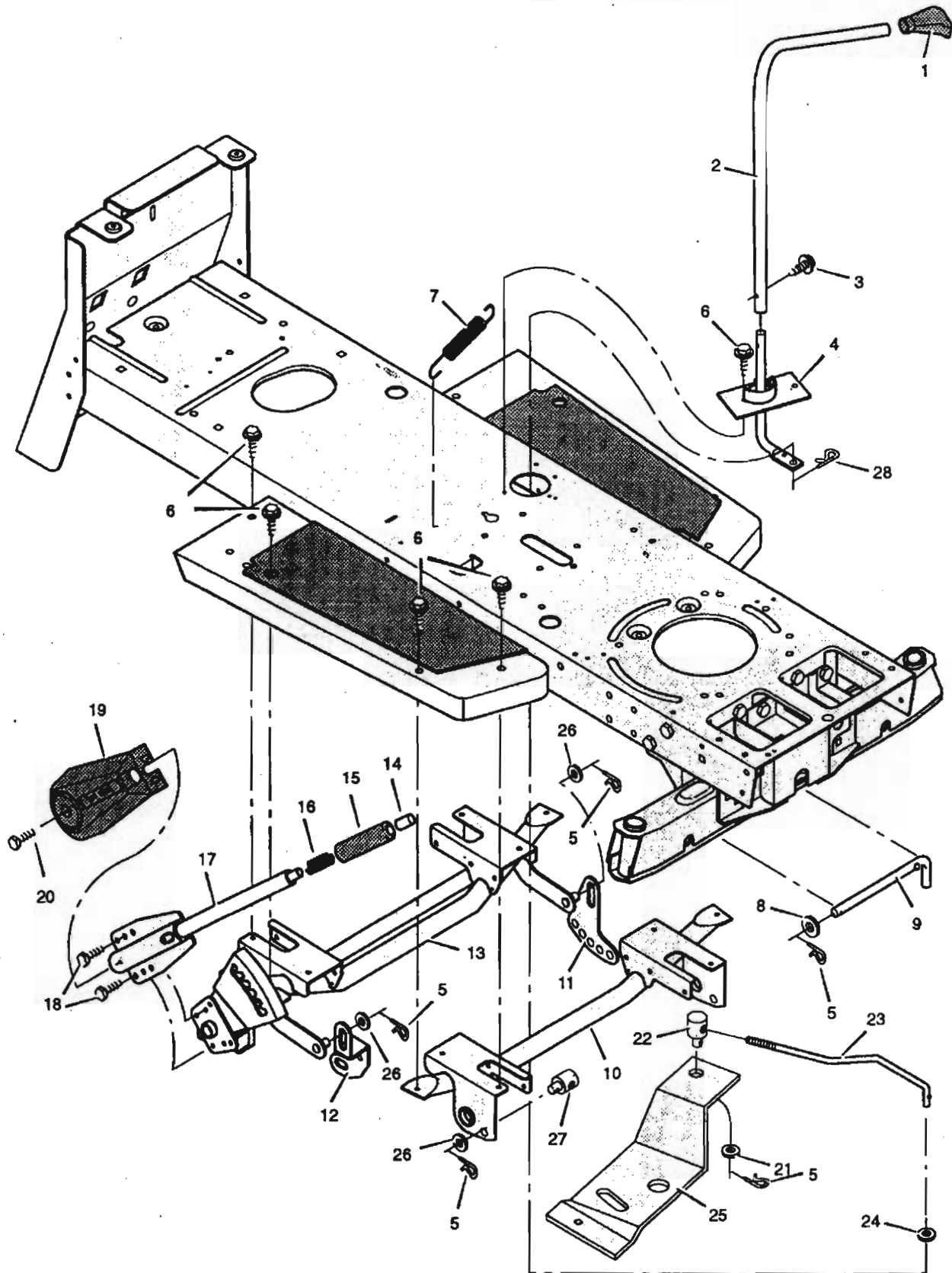
MODELS 46371A & 46371x92A

REPAIR PARTS MOTION DRIVE

Key No.	Description	Part No.	Key No.	Description	Part No.
1	Guide, Belt	20619	24	Yoke, Shift Lever	93019Z
2	Locknut, Flange	15x84	25	Spring	166x35
3	Locknut, Flange	15x88	26	Washer	17x148
4	Grip	91079	27	Knob, Shift Lever	91995
5	Lever, Parking Brake	93044E700	28	Ring, Tolerance	92008
6	Screw	26x249	29	Lever, Shift	93020Z
7	Frame	403338	30	Pedal, Clutch/Brake	21544
8	Belt, Motion Drive	37x68	31	Lever Assembly, Pedal	93082E700
9	Bolt, Shoulder	9x39	32	Nut, Adjustable	21920
10	Bracket Assembly, Idler	93033Z	33	Rod, Clutch	93029Z
11	Pin, Cotter	30x20	34	Spring, Brake Extension	165x82
12	Washer	17x52	35	Bracket, Pedal Support	91713E700
13	Spring, Drive Extension	165x87	36	Rod, Brake Latch	93054
14	Ring, Retainer	11x7	37	Transaxle, Peerless	820-028
15	Pulley, Motion Drive	75073	38	Bolt, Hex	1x132
16	Pulley, Backside Idler	23339	39	Key, Woodruff No. 9	20697
17	Bolt, Carriage	2x78	40	Key, Square	24039
18	Screw	26x207	42	Washer	17x118Z
19	Bracket, Left Transaxle	93003E700	44	E-Ring	11x23
20	Bracket, Right Transaxle	93002E700	45	Wheel & Tire Assembly	93185-601
21	Bolt, Hex	1x82	46	Tire Only (Incl'd with Key No. 45)*	407920
22	Lockwasher	18x32	—	Tube	407051
23	Washer	17x38Z	47	Valve Stem (Incl'd with Key No. 45)	24373

* When you order a tire, make sure to give the brand name of the tire so that the tread pattern on the tire will match.

** Parts are available from a Tecumseh Authorized Service Center. See the telephone directory.



Key No.	Description	Part No.
1	Grip	55449
2	Lever, Blade Control	93162Z
3	Bolt, Hex	25x3
4	Control Assembly, Blade	93218E700
5	Pin, Hair	31x4
6	Screw	26x249
7	Spring, Extension	165x92
8	Washer	17x103
9	Pin, Pull	90827Z
10	Support Assembly, Front	93013E700
11	Plate, Adjuster	93097E700
12	Link, Suspension	93096E700
13	Support, Lifter	93114E700
14	Knob, Steel	91261
15	Grip	91398
16	Spring, Compression	164x21
17	Handle Assembly	918235E
18	Screw	26x49
19	Cover, Lift Lever (Optional)	92157
20	Screw	26x263
21	Washer	17x124
22	Nut, Adjusting	21920
23	Rod, Blade Control	93094Z
24	Washer	17x47Z
25	Bracket, Pivot	93052E700
26	Washer	17x91Z
27	Nut, Adjusting	92132
28	Pin, Hair	31x6

MODELS 46371A & 46371x92A

REPAIR PARTS MOWER HOUSING

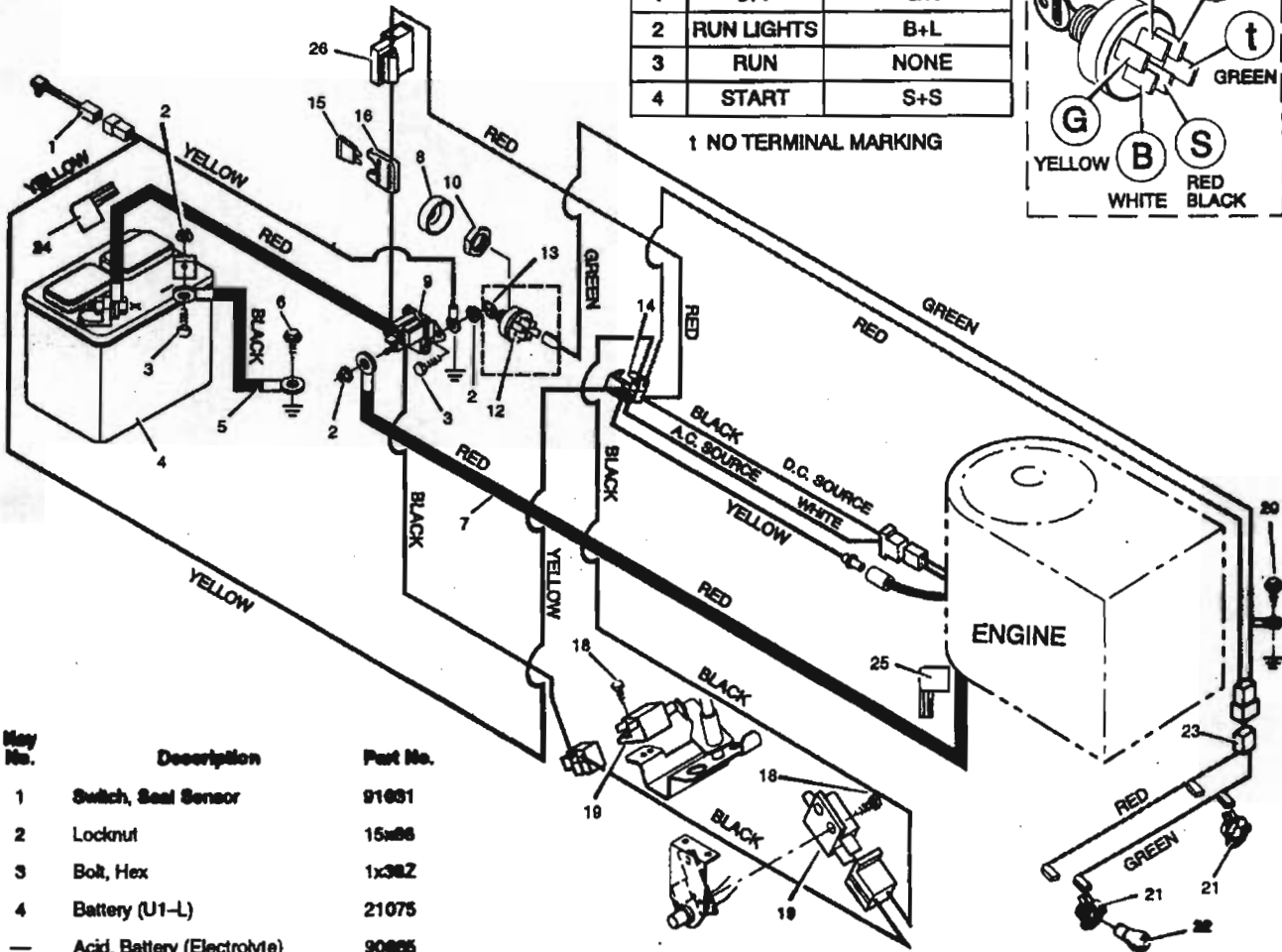
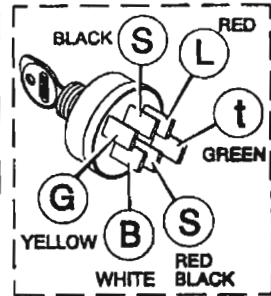
Key No.	Description	Part No.	Key No.	Description	Part No.
1	Cover, Pulley	92145	43	Nut, Adjuster	92132
2	Screw	26x266	44	Rod, Adjuster	92134Z
3	Rod, Brake	92129Z	45	Bracket, Left Cover	92139E700
4	Screw	26x258	46	Guide, Belt	92116Z
5	Cover, Left Pulley	92154	47	Locknut	15x88
6	Nut, Hex	15x100	48	Bracket, Hinge	92104E700
7	Lockwasher	18x33	49	Rod, Deflector	92159Z
8	Pulley	92127	50	Bracket Assembly, Lifter	93088E700
9	Jackshaft	91921	51	Link, Suspension	93096E700
10	Spacer, Bearing	91925	52	Push-On Cap	28x23
11	Belt, Primary Mower Drive	37x69	53	Spring, Torsion	166x34
12	Bracket, Idler	92112E700	54	Deflector	92100
13	Bolt, Shoulder	9x39	55	Deflector, Inside	92103E701
14	Spring, Extension	165x79	56	Bracket, Cover	92140E701
15	Belt, Secondary Mower Drive	37x66	57	Spring, Extension	165x86
16	Locknut	15x84	58	Washer	17x57Z
17	Pulley, Idler	91590	59	Bolt, Carriage	2x53Z
18	Spring Assembly, Brake	92148	60	Rod, Hanger	91739Z
19	Plug	92169	61	Bracket, Front Hanger	93087E700
20	Pulley, Stack	92128	62	Washer	17x124
21	Bracket, Pivot	93052E700	63	Hanger, Front	92119SE
22	Pin, Hair	31x4	65	Roller	92137
23	Washer	17x171Z	66	Pin, Cotter	30x49
24	Pin, Cotter	30x33	67	Bolt, Hex	1x111Z
25	Pulley, Idler	91801	68	Housing, Mandrel	92574
26	Link, Brake	92130Z	69	Guide, Belt	91754Z
27	Screw	25x6	70	Blade (3 required)	92117E701
28	Washer	10851Z	71	Washer, Belleville	17x166
29	Washer	17x91Z	72	Washer	17x165
31	Spring, Extension	165x80	73	Nut, Hex	15x100
32	Washer	17x168Z	74	Indicator, Plastic	92163
33	Bracket, Idler	92220E700	76	Adapter, Blade	92466
34	Bushing	92180	77	Bolt, Carriage	2x73
35	Screw	26x249	78	Bolt, Shoulder	9x23
36	Nut, Hex	15x79Z	79	Wheel, Gauge	92265
37	Support, Pivot	92115E700	80	Bracket, Right Gauge Wheel	92259E700
38	Strut, Pivot	92158E700	81	Bracket, Left Gauge Wheel	92258E700
39	Washer	17x103	82	Washer	17x102
40	Plate, Adjuster	93097E700	83	Housing, Mower	93086E700
41	Channel, Left Cover	92138E700	1-83	Mower Housing, Complete	403337
42	Bracket Assembly, Lifter	92109E700			

MODELS 46371A & 46371x92A

REPAIR PARTS ELECTRICAL SYSTEM

POS.	FUNCTION	CIRCUIT (MAKE)
1	OFF	G+t
2	RUN LIGHTS	B+L
3	RUN	NONE
4	START	S+S

† NO TERMINAL MARKING



Key No.	Description	Part No.
1	Switch, Seal Sensor	91831
2	Locknut	15x88
3	Bolt, Hex	1x38Z
4	Battery (U1-L)	21075
—	Acid, Battery (Electrolyte)	90885
5	Cable, Battery Ground	24x8
6	Screw	28x249
7	Cable, Red Battery	24x12
8	Cap, Ignition	91488
9	Solenoid	24285
10	Nut	91489
12	Switch, Ignition	88377
13	Key, Ignition	20729
14	Harness, Chassis Wire	250x33
15	Fuse	54212
16	Holder, Fuse	407078
18	Screw	28x233
19	Switch, Clutch	24273
20	Screw	25x2
21	Socket, Light	92372
22	Bulb, Light	90084
23	Harness, Light Wire	250x40
24	Cover, Terminal (Optional)	54148
25	Cover (Optional)	24186
26	Ammeter	93156