

NOTE: ALWAYS USE ORIGINAL EQUIPMENT PARTS.
 Use of service/replacement parts other than original
 equipment parts may void your warranty.

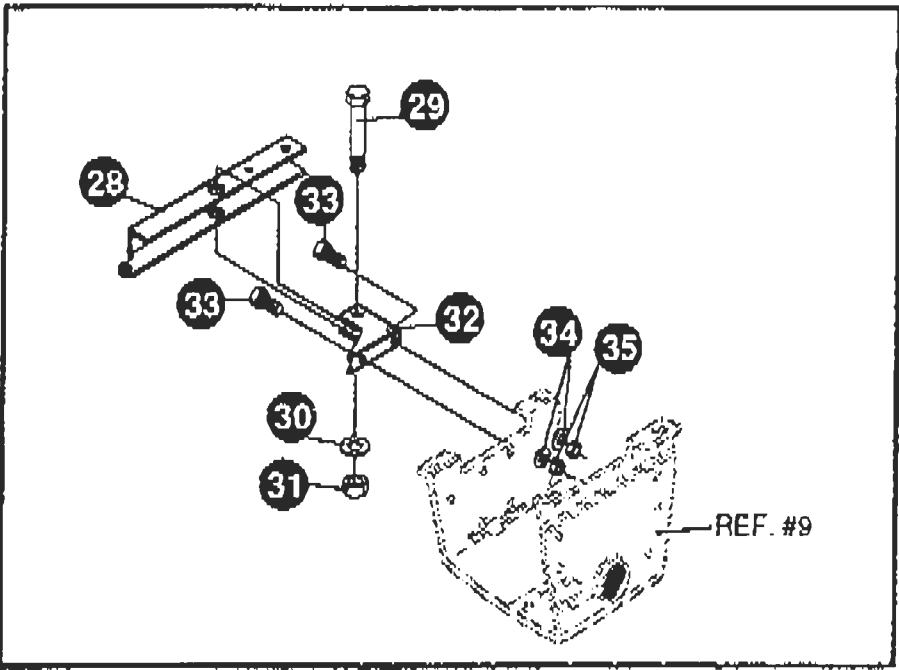
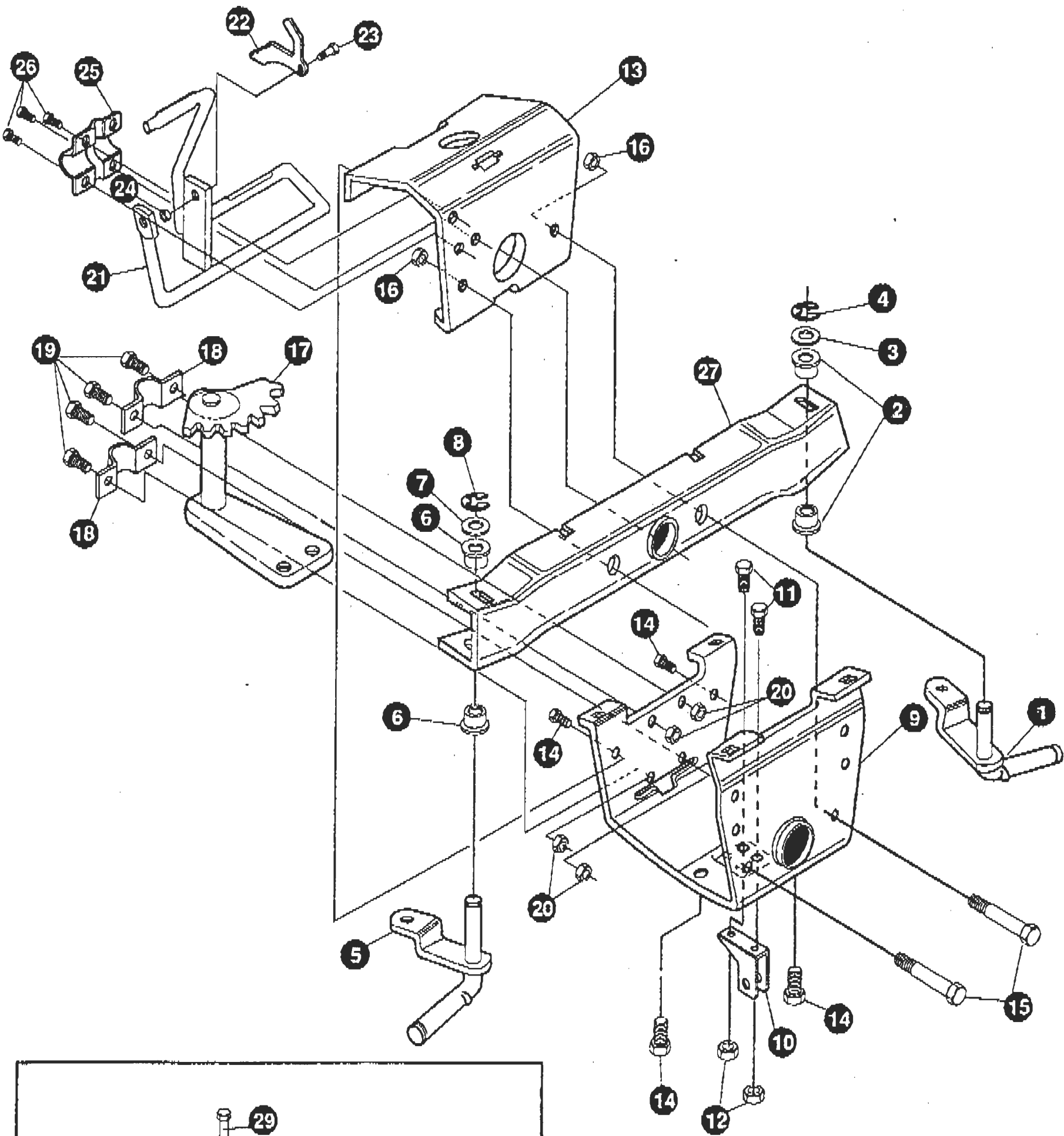
ALL UNNUMBERED
 ITEMS ARE INTERCHANGEABLE
 WITH OPPOSITE SIDE

338726 A

30581X80

BODY GROUP ASSEMBLY

KEY#	PART#	DESCRIPTION	QTY
1	338480-821	FRAME RER.....	1
2	309612	FOOT PAD, RH.....	1
3	309613	FOOT PAD, LH.....	1
4	309235	FASTENER, RATCHET.....	12
5	321288	CONSOLE.....	1
6	710264	SCREW, 1/4-20X .50.....	4
7	303130	HEADLIGHT ASSY.....	1
8	303260	CLIP, TINNEMAN.....	4
9	308347	SCREW, #6-32X .50.....	4
10	330969-821	SUPPORT, SEAT.....	1
11	48901	SCREW, 5/16-18X .63WAHHC.....	2
12	180077	SCREW, 5/16-18X .75 HHC.....	2
13	1498	NUT, 5/16-18 REGHEXCTRLK.....	4
14	301330-853	SEAT BRACKET.....	1
15	180120	SCREW, 3/8-16X .75 HHC.....	2
16	1499	NUT, 3/8-16 REGHXCTRLK.....	2
17	313476-853	SEAT PLATE.....	1
18	20507	BOLT, .437X .156 HSH 5/16-18.....	2
19	1498	NUT, 5/16-18 REGHEXCTRLK.....	2
20	331106-853	SEAT/SHIFT SUPPORT.....	1
21	710312	SCREW, 5/16-18X1.00.....	2
22	1498	NUT, 5/16-18 REGHEXCTRLK.....	2
23	35498	SCREW, 5/16-18X .75 WAHHTAP.....	1
24	180077	SCREW, 5/16-18X .75 HHC.....	2
25	45602	WASHER, FLAT .333X .87X.119.....	2
26	1498	NUT, 5/16-18 REGHEXCTRLK.....	2
27	319136	SPRING, COMP, .97X2.00X.095.....	1
28	120392	WASHER, FLAT .281X .63X.065.....	1
29	180016	SCREW, 1/4-20X .50 HHC.....	1
30	1502	NUT, 1/4-20 REGHEXCTRLK.....	1
31	53446	PIN, 5/16-18 HOOD LATCH.....	2
32	120386	WASHER, FLAT .312X .73X.065.....	6
33	124824	NUT, 5/16-18 HEXJAM.....	2
34	317190	FENDER, RER.....	1
35	44811	SCREW, 1/4-20X .75 WAHHTAP.....	4
36	305645	FENDER SUPPORT.....	2
37	710264	SCREW, 1/4-20X .50.....	4
38	12599	FASTENER, VELCRO, 2" X 1".....	2
	710338	OPERATOR'S MANUAL (NOT SHOWN).....	1
	710339	PARTS MANUAL (NOT SHOWN).....	1



NOTE: ALWAYS USE ORIGINAL EQUIPMENT PARTS.
Use of service/replacement parts other than original
equipment parts may void your warranty.

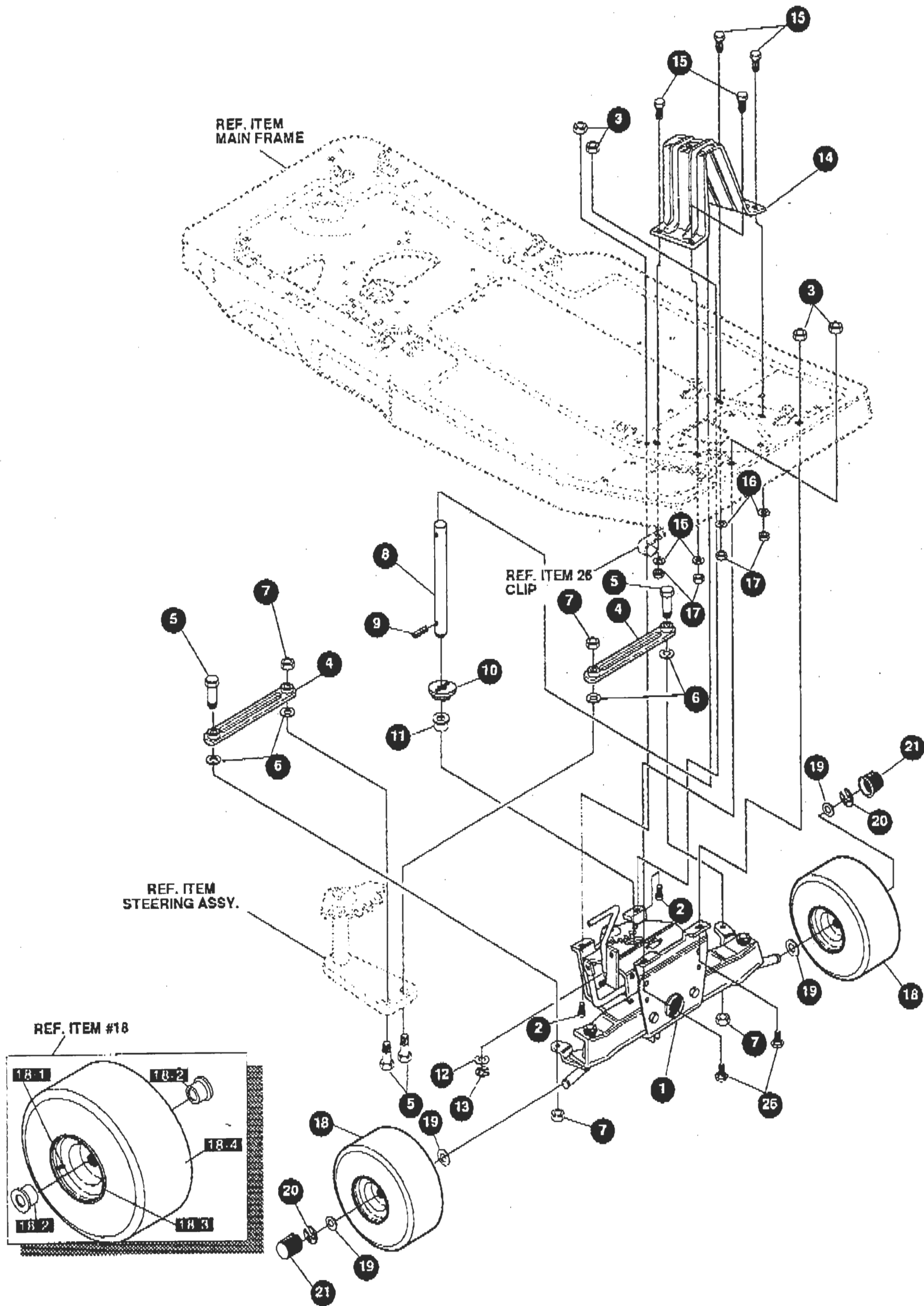
ALL UNNUMBERED
ITEMS ARE INTERCHANGEABLE
WITH OPPOSITE SIDE

338675 A

30581X80

PRE-PAINTED FRONT AXLE ASSEMBLY

KEY#	PART#	DESCRIPTION	QTY
1	316216	ASSY SPINDLE L.H.	1
2	12552	BUSHING, SPINDLE	2
3	4107	WASHER, FLAT .635X1.31X.07	2
4	20859	RING, RET E .48X.04TRU5133-62	1
5	316217	ASSY SPINDLE R.H.	1
6	12552	BUSHING, SPINDLE	2
7	4107	WASHER, FLAT .635X1.31X.07	2
8	20859	RING, RET E .48X.04TRU5133-62	1
9	314228	BRACKET, AXLE, OUTER, FRONT	1
10	323904	HANGER	1
11	180077	SCREW, 5/16-18X .75 HHC	2
12	1498	NUT, 5/16-18 REGHEXCTRLK	2
13	338440	AXLE BRACKET, INNER	1
14	35497	SCREW, 5/16-18X .50 WAHTAP	4
15	180138	SCREW, 3/8-16X3.00 HHC	2
16	1499	NUT, 3/8-16 REGHXCTRLK	2
17	302958	STEERING ASSY RER	1
18	302760	CLAMP .625DIA	2
19	180077	SCREW, 5/16-18X .75 HHC	4
20	1498	NUT, 5/16-18 REGHEXCTRLK	4
21	338888	BRAKE ARM ASSY	1
22	302955	LATCH, PARKING BRAKE	1
23	3275	BOLT, .373X .140 HSH 1/4-20	1
24	1502	NUT, 1/4-20 REGHEXCTRLK	1
25	44112	BRKT. CLUTCH & BRAKE	1
26	35497	SCREW, 5/16-18X .50 WAHTAP	4
27	316218	FRONT AXLE ASSY	1
28	309051	ROCKER ARM, MOWER ENGAGEMENT	1
29	310364	BOLT, .500X1.18 HSH 3/8-16	1
30	845	WASHER, FLAT .390X1.25X.119	1
31	1499	NUT, 3/8-16 REGHXCTRLK	1
32	323904	HANGER	1
33	180077	SCREW, 5/16-18X .75 HHC	2
34	120393	WASHER, FLAT .344X .69X.065	2
35	1498	NUT, 5/16-18 REGHEXCTRLK	2



NOTE: ALWAYS USE ORIGINAL EQUIPMENT PARTS.
 Use of service/replacement parts other than original
 equipment parts may void your warranty.

ALL UNNUMBERED
 ITEMS ARE INTERCHANGEABLE
 WITH OPPOSITE SIDE

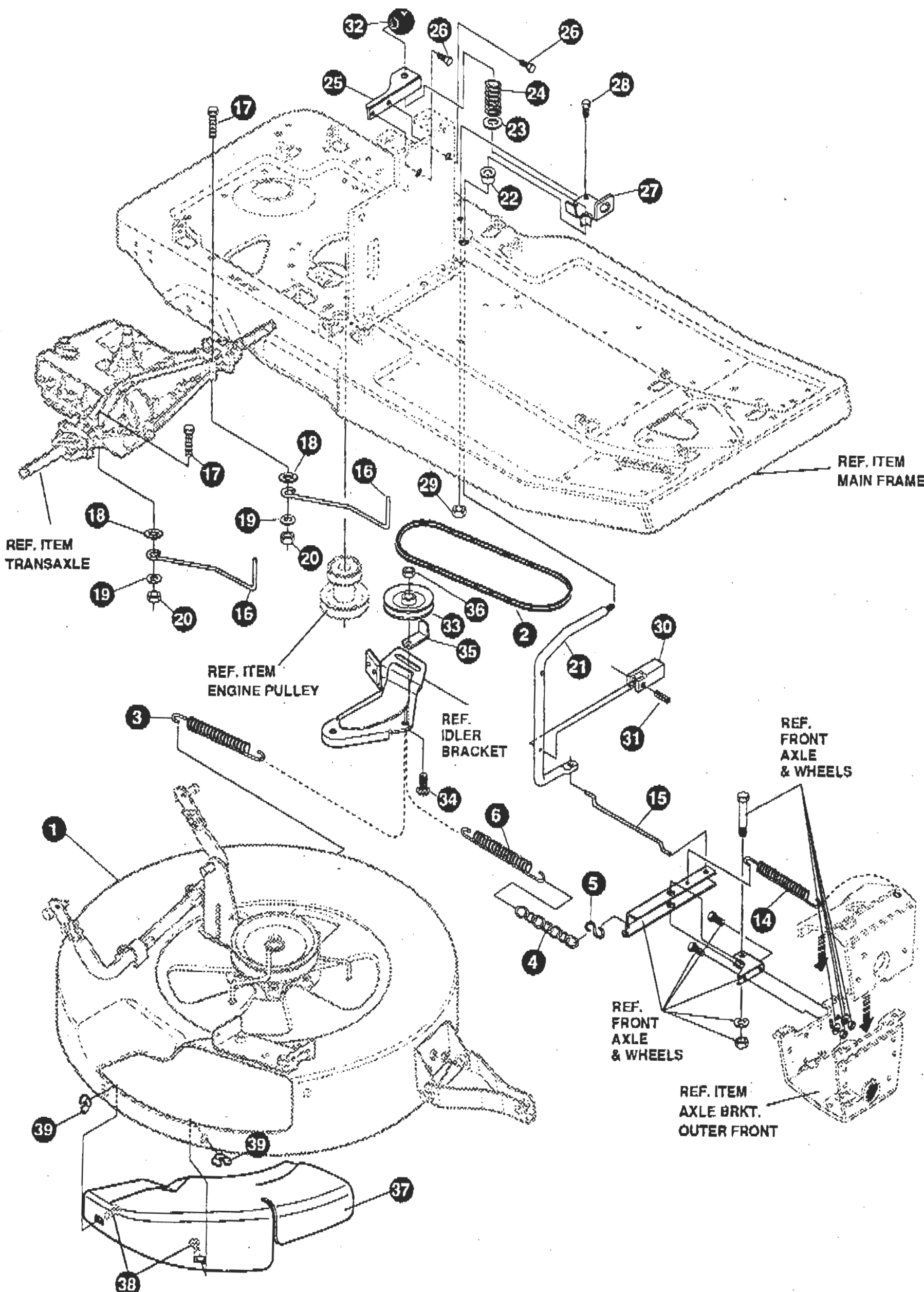
338676 A

30581X80

FRONT AXLE ASSEMBLY

KEY#	PART#	DESCRIPTION	QTY
1	*	FRONT AXLE PIVOTING ASSY	1
2	57072	BOLT, 5/16-18X .63 CARRLN	2
3	45174	NUT, 5/16-18 HEXWDFLLK WHIZ	4
4	303140	TIE ROD, RER.....	2
5	180124	SCREW, 3/8-16X1.25 HHC	4
6	120382	WASHER, REGSPTLK.393X.68X.10	4
7	1499	NUT, 3/8-16 REGHXCTRLK.....	4
8	323906	SHAFT, STEERING.....	1
9	454565	PIN, SPRING.250DIAX1.25LG	1
10	302766	GEAR, PINION	1
11	304010	BUSHING-STEERING	1
12	4107	WASHER, FLAT .635X1.31X.07.....	1
13	20859	RING, RET E .48X.04TRU5133-62	1
14	323905	SUPT, STR SHAFT	1
15	48901	SCREW, 5/16-18X .63WAHHC	4
16	120393	WASHER, FLAT .344X .69X.065.....	4
17	1498	NUT, 5/16-18 REGHEXCTRLK	4
18	338183	TIRE&RIM 11X4.0-4	2
18-1	338512	VALVE STEM	
18-2	338156	RIM, WHEEL	
18-3	338545	BEARING	
18-4	338168	TIRE, 11X44	
19	40677	WASHER, FLAT .640X1.25X.06.....	4
20	20859	RING, RET E .48X.04TRU5133-62	2
21	40394	HUB CAP, 1.500ID X 7/8LG	2
26	180077	SCREW, 5/16-18X .75 HHC	2

*ORDER INDIVIDUAL PARTS ON PAGE 5-ASSEMBLY NOT AVAILABLE



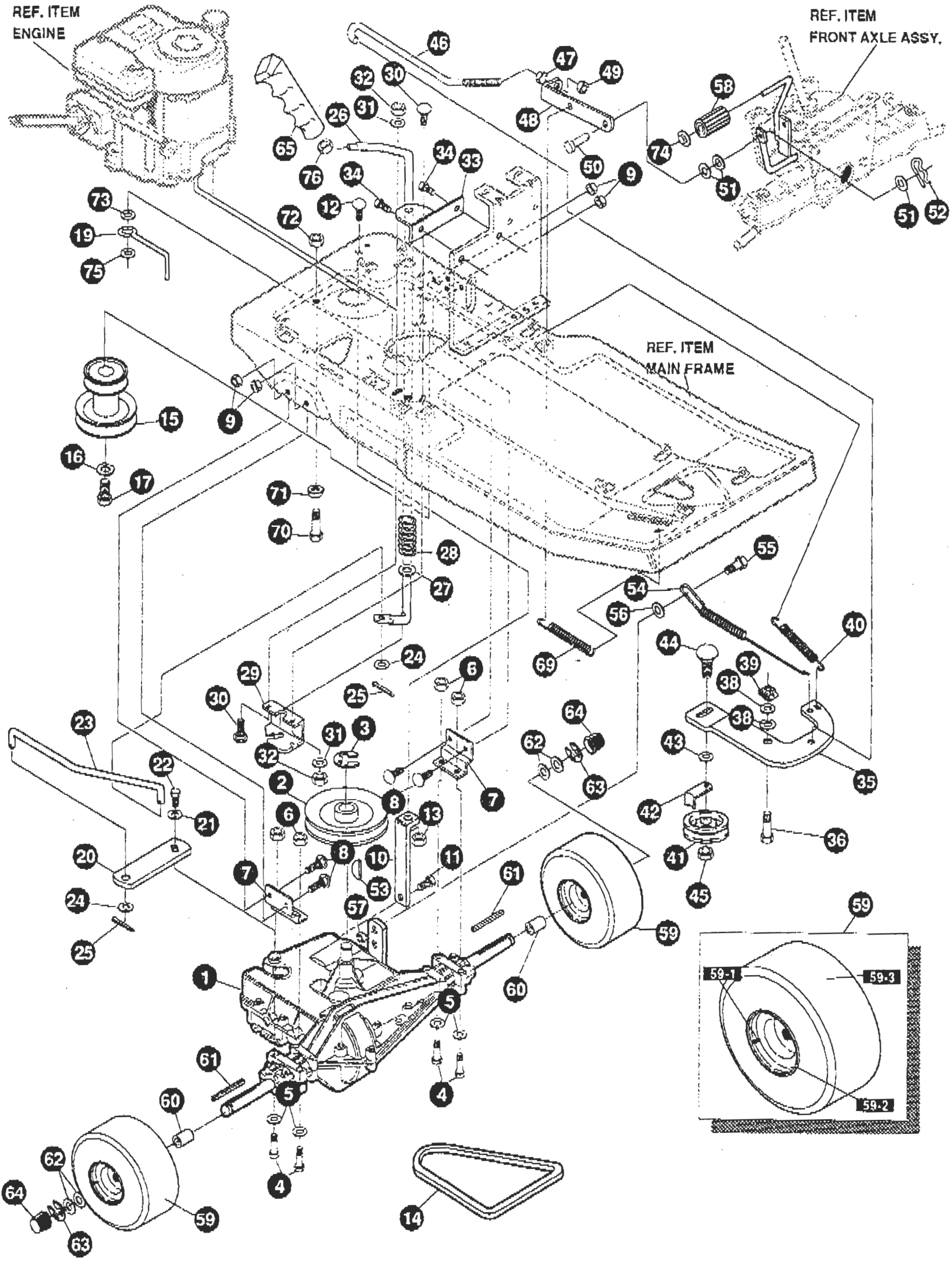
NOTE: ALWAYS USE ORIGINAL EQUIPMENT PARTS.
 Use of service/replacement parts other than original
 equipment parts may void your warranty.

ALL UNNUMBERED
 ITEMS ARE INTERCHANGEABLE
 WITH OPPOSITE SIDE

334829A

KEY#	PART#	DESCRIPTION	QTY
1	*	ASM. DECK, PRE-PAINT	1
2	56537	BELT, V 4L 50.5LG	1
3	35410	SPRING .071 X .62 X 4.37	1
4	334471	KIT CHAIN JACK	5
5	310734	HOOK, S	1
6	300683	SPRING, .75X6.3X.105 TENSION	1
14	35410	SPRING .071 X .62 X 4.37	1
15	309049	ROD, CONNECTING	1
16	310388	GUIDE, BELT	2
17	180091	SCREW, 5/16-18X2.50 HHC	2
18	138485	WASHER, EXLK .320X.61X.03	2
19	120393	WASHER, FLAT .344X .69X.065	2
20	1498	NUT, 5/16-18 REGHEXCTRLK	2
21	309048	HANDLE, MOWER ENGAGEMENT	1
22	310351	BRNG, FL	1
23	304291	SPRING, RETAINING	1
24	304398	SPRING COMPRESSION	1
25	311107-853	SUPPORT BRACKET	1
26	710264	SCREW, 1/4-20X .50	2
27	310309	BRACKET, PTO LIMIT	1
28	35498	SCREW, 5/16-18X .75	1
29	1498	NUT, 5/16-18 REGHEXCTRLK	1
30	305225	STOP, PTO ENGAGE	1
31	326386	PIN, SPRING.187DIAX1.13	1
32	321837	KNOB,ROUND	1
33	45074	PULLEY, IDLER V4L 3.06X .72	1
34	45892	BOLT, 3/8-16X1.50 CARRSN	1
35	39659	RETAINER,BELT	1
36	1499	NUT, 3/8-16 REGHXCTRLK	1
37	327220-830	PLATE, MULCHING	1
38	126358	BOLT, 5/16-18X1.00	2
39	327457	NUT, WING 5/16 - 18	2

*ORDER INDIVIDUAL PARTS FROM THE PRE-PAINTED ASSEMBLY



NOTE: ALWAYS USE ORIGINAL EQUIPMENT PARTS.
 Use of service/replacement parts other than original equipment parts may void your warranty.

ALL UNNUMBERED
 ITEMS ARE INTERCHANGEABLE
 WITH OPPOSITE SIDE

341406A

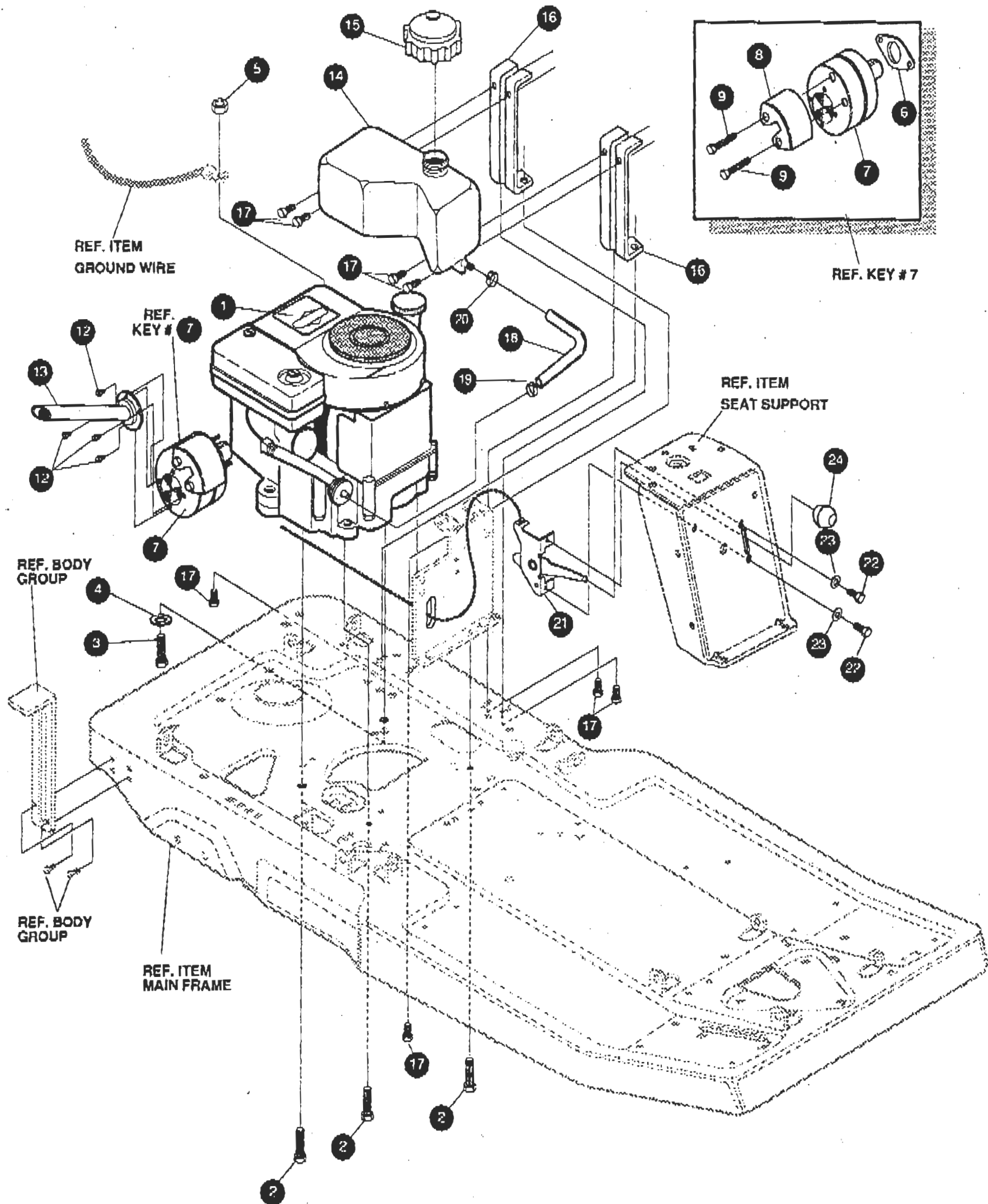
30581X80

TRACTION DRIVE ASSEMBLY

KEY#	PART#	DESCRIPTION	QTY
1	*	TRANSAXLE	1
2	94812	PULLEY,ENGINE	1
3	22053	RING, RETEX .58X.035TRU5100-62	1
4	180113	SCREW, 5/16-18X3.00 HHC	4
5	120393	WASHER, FLAT .344X .69X.065	4
6	1498	NUT, 5/16-18 REGHEXCTRLK	4
7	9796	BRKT, TRANSAXLE	2
8	57072	BOLT, 5/16-18X .63	4
9	1498	NUT, 5/16-18 REGHEXCTRLK	4
10	321376	BRKT, TRNSXL SUPT	1
11	35498	SCREW, 5/16-18X .75	1
12	57072	BOLT, 5/16-18X .63	1
13	1498	NUT, 5/16-18 REGHEXCTRLK	1
14	300575	BELT, V 4L 34.00	1
15	341237	KIT ENGINE PULLEY	1
16	120383	WASHER, REGSPTLK.459X.78X.12	1
17	182759	SCREW, 7/16-20X2.00 HHC	1
19	55488	BELT GUIDE	1
20	323874	SHIFT LEVER BRKT	1
21	57157	WASHER, .750X.250 SP-TRANSAXLE	1
22	56255	SCREW, 1/4-28X .75	1
23	323531	ROD, CONN SHIFT	1
24	120394	WASHER, FLAT .406X .81X.065	2
25	137185	PIN, COTTER .125 DIA X1.00	2
26	323765	HANDLE, SHIFT	1
27	120396	WASHER, FLAT .531X1.06X.095	1
28	301133	SPRING, SHIFT LVR	1
29	309053	BRACKET, DETENT SHIFT	1
30	126216	BOLT, 5/16-18X .75	2
31	120393	WASHER, FLAT .344X .69X.065	2
32	1498	NUT, 5/16-18 REGHEXCTRLK	2
33	303098-853	BRACKET, SHIFT CONTROL	1
34	710264	SCREW, 1/4-20X .50 WAHHTAP	2
35	12593	PIVOT ARM, IDLER	1
36	329989	BOLT, .625X .135 HSH 5/16-18	1
38	45602	WASHER, FLAT .333X .87X.119	2
39	301124	TINNERMAN CLIP	1
40	35410	SPRING .071 X .62 X 4.37	1
41	35374	PULLEY, IDLER V4L 3.06X .62	1
42	39659	RETAINER,BELT	1
43	274517	WASHER, FLAT .406X .73X.063	1
44	45892	BOLT, 3/8-16X1.50 CARRSN	1
45	1499	NUT, 3/8-16 REGHXCTRLK	1
46	323532	ROD, CLUTCH RER	1
47	271184	NUT, 5/16-18 HEXKEPS	1
48	321378	BRKT, CLUTCH BRAKE	1
49	1498	NUT, 5/16-18 REGHEXCTRLK	1
50	39522	PIN, CLEVIS .312 X .812	1
51	120393	WASHER, FLAT .344X .69X.065	3
52	8260	PIN, HAIR .091 DIA X1.66LG	1
53	50795	KEY, HI-PRO 606 .75DIA X.187WD	1
54	309251	SPRING, BRAKE	1
55	326131	BOLT, .495X .31 HSH5/16-18	1
56	308188	WASHER, FLAT .515X1.31X.09	1
57	1498	NUT, 5/16-18 REGHEXCTRLK	1
58	52840	FOOT PEDAL	1
59	692308	TIRE&RIM 16X6.5-8	2
59-1	338512	VALVE STEM	
59-2	338172	RIM	
59-3	338170	TIRE, 16X6.5-8	
60	300588	SPACER, AXLE	2
61	52928	KEY, SQUARE .187SQ X2.25LG	2
62	42815	WASHER, FLAT .755X1.53X.07	4
63	36625	RING, RETEX .57X.05TRU5133-75	2
64	40394	HUB CAP, 1.500ID X 7/8LG	2
65	304729	HANDLE, 1/2-13	1
69	313854	IDLER SPRING	1
70	180091	SCREW, 5/16-18X2.50 HHC	1
71	271184	NUT, 5/16-18 HEXKEPS	1
72	1498	NUT, 5/16-18 REGHEXCTRLK	1
73	138489	WASHER, EXLK .384X.69X.04	1
74	44582	CAP, PUSH-ON FITS 7/16 ROD	1
75	120394	WASHER, FLAT .406X .81X.065	1
76	120238	NUT, 1/2-13 HEXJAM	1

* CONTACT YOUR NEAREST TRANSAXLE DEALER FOR PARTS & SERVICE

REPAIR PARTS



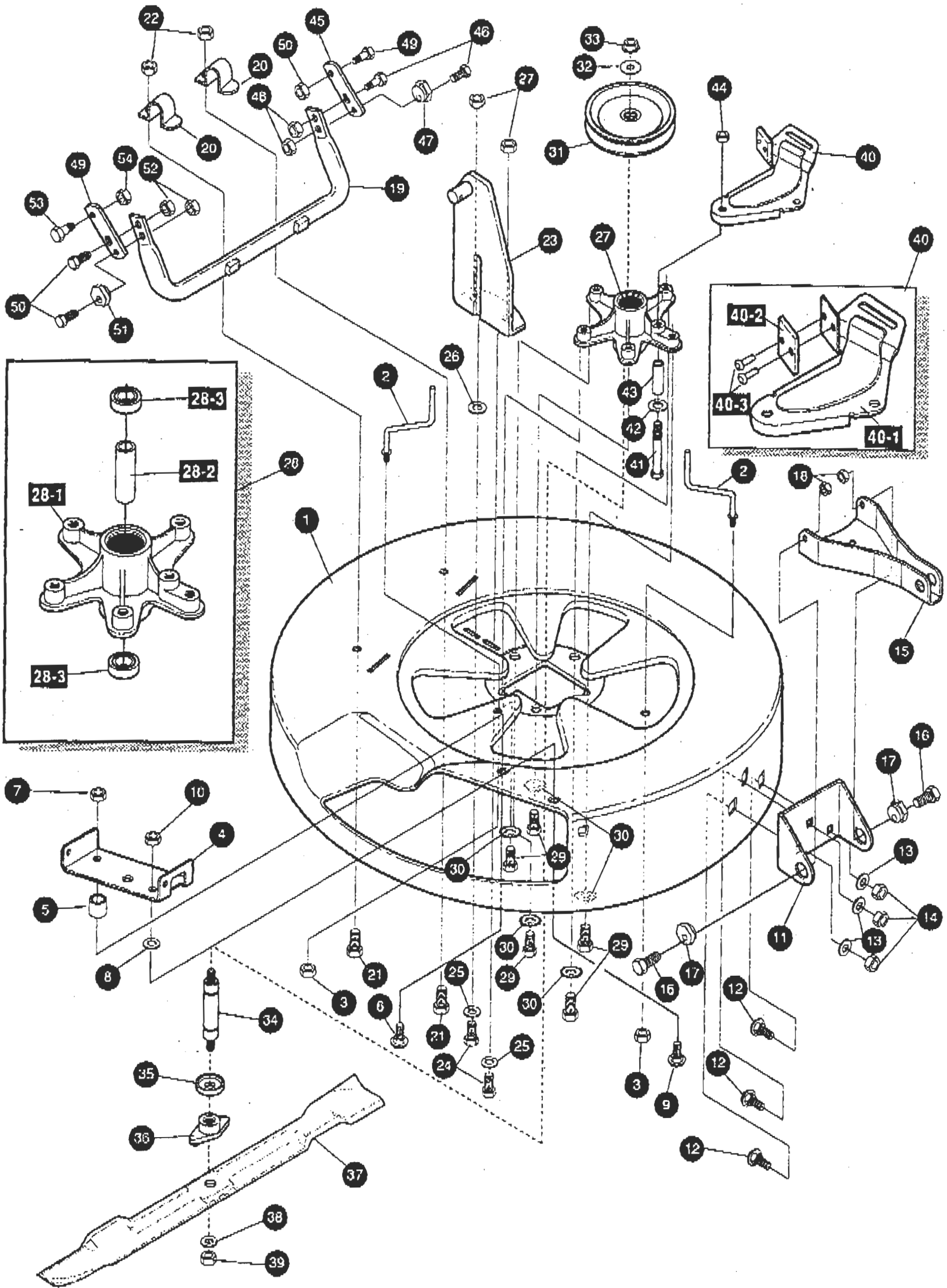
NOTE: ALWAYS USE ORIGINAL EQUIPMENT PARTS. Use of service/replacement parts other than original equipment parts may void your warranty.

ALL UNNUMBERED ITEMS ARE INTERCHANGEABLE WITH OPPOSITE SIDE

333105B

KEY#	PART#	DESCRIPTION	QTY
1	ENGINE	10-12HP B&S(SEE ENGINE MANUAL)	1
2	50947	SCREW, 3/8-16X1.25 WAHHTAPBLKP	3
3	180083	SCREW, 5/16-18X1.50 HHC	1
4	138485	WASHER, EXLK .320X.61X.03	1
5	710205	NUT, 5/16-18 WDFLLK (15X88)	1
6	46708	GASKET, MUFFLER	1
7	54766	MUFFLER-ROUND	1
8	54767	SHIELD, HEAT, FOR ROUND MUFFLER	1
9	54980	SCREW, 5/16-18X3.50 HHC	2
12	57366	SCREW, 10-16X .50 DRILLTITE	4
13	311650-853	PIPE ASSY	1
14	314986	TANK, GAS	1
15	12501	CAP, FUEL	1
16	313150-853	SUPPORT, GAS TANK	2
17	710264	SCREW, 1/4-20X .50 WAHHTAP	8
18	47216	TUBING, .25X.50X BULK GAS LINE	22inches
19	47345	CLAMP, HOSE SCREW TYPE	2
20	47345	CLAMP, HOSE SCREW TYPE	1
21	321240	THROTTLE CONTROL	1
22	35287	SCREW, #8-32X .38 HHWATAPGR2	2
23	414106	WASHER, FLAT .188X .38X.040	2
24	50607	KNOB, ROUND THROTTLE	1

REPAIR PARTS



NOTE: ALWAYS USE ORIGINAL EQUIPMENT PARTS.
Use of service/replacement parts other than original
equipment parts may void your warranty.

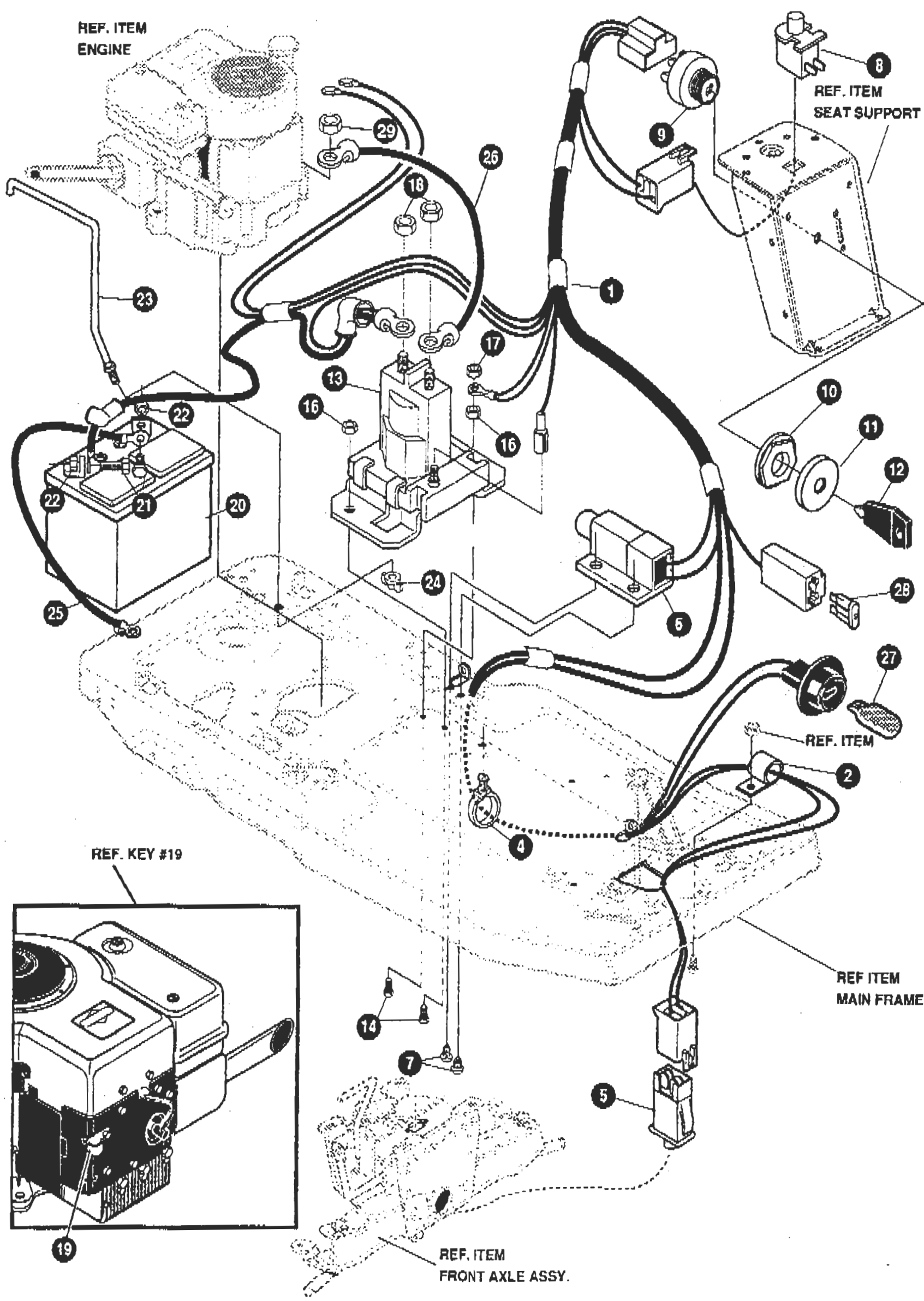
ALL UNNUMBERED
ITEMS ARE INTERCHANGEABLE
WITH OPPOSITE SIDE

334827A

KEY/#	PART#	DESCRIPTION	QTY
1	321982	DECK, MOWER 30"	1
2	57318	GUIDE, BELT 5/16-18	2
3	1498	NUT, 5/16-18 REGHEXCTRLK	2
4	317017	BRACKET CHUTE MOUNT	1
5	314702	SPACER, SLEV .344X1.00X .500	1
6	120230	BOLT, 5/16-18X1.25 CARRLN	1
7	1498	NUT, 5/16-18 REGHEXCTRLK	1
8	45602	WASHER, FLAT .333X .87X.119	1
9	126216	BOLT, 5/16-18X .75 CARRLN	1
10	1498	NUT, 5/16-18 REGHEXCTRLK	1
11	311237	BRACKET, MOUNTING, FRONT	1
12	57072	BOLT, 5/16-18X .63 CARRLN	3
13	120393	WASHER, FLAT .344X .69X.065	3
14	1498	NUT, 5/16-18 REGHEXCTRLK	3
15	311236	BRACKET, BAR, TOW, FRONT	1
16	710312	SCREW, 5/16-18X1.00 HHC	2
17	58247	NUT, ADJUST	2
18	1498	NUT, 5/16-18 REGHEXCTRLK	2
19	313372	ASSY., TUBE, PIVOT	1
20	310672	SUPPORT, PIVOT TUBE	1
21	180077	SCREW, 5/16-18X .75 HHC	2
22	1498	NUT, 5/16-18 REGHEXCTRLK	2
23	314119	ASSY LIFT BRKT	1
24	45602	WASHER, FLAT .333X .87X.119	1
25	180077	SCREW, 5/16-18X .75 HHC	2
26	120393	WASHER, FLAT .344X .69X.065	2
27	1498	NUT, 5/16-18 REGHEXCTRLK	2
28	313588	ASSEMBLY, QUILL	1
28-1	314272	QUILL, MACHINED CASTING	1
28-2	314274	TUBE, SPACER, STEEL	1
28-3	313576	BRNG, BALL 6204-2AA-C3	2
29	35498	SCREW, 5/16-18X .75 WAHTAP	5
30	138485	WASHER, EXLK .320X.61X.03	5
31	314273	PULLEY ASSEMBLY	1
32	22265	WASHER, FLAT .515X1.38X.119	1
33	1500	NUT, 1/2-13 REGHCTRLK	1
34	314271	SHAFT, QUILL 30" MOWER	1
35	313577	SHIELD, DUST, BEARING	1
36	313584	HUB, BLADE ADAPTOR	1
37	327224	BLADE, MULCHING 30" TD	1
38	22265	WASHER, FLAT .515X1.38X.119	1
39	1500	NUT, 1/2-13 REGHCTRLK	1
40	12229	BRACKET, IDLER ASSEMBLY	1
40-1	313510	BRACKET, ARM, IDLER	1
40-2	306973	BRAKE PAD - HARD-	1
40-3	41601	RIVET, OVSET .187DIAX .50LG ST	2
41	180091	SCREW, 5/16-18X2.50 HHC	1
42	45602	WASHER, FLAT .333X .87X.119	1
43	314824	SPACER, SLEV .322X .63X1.810	1
44	710205	NUT, 5/16-18 WDFLLK (15X88)	1
45	314099	BRACKET, BAR, REAR	2
46	710312	SCREW, 5/16-18X1.00 HHC	4
47	58247	NUT, ADJUST	2
48	1498	NUT, 5/16-18 REGHEXCTRLK	4
49	51940	BOLT, .500X .437 HSH 3/8-16	2
50	1499	NUT, 3/8-16 REGHXCTRLK	2

REAR SUSPENSION ASSEMBLY

KEY#	PART#	DESCRIPTION	QTY
1	47817	PIN, CLEVIS LONG.....	1
2	8280	PIN, HAIR .091 DIAX1.66LG.....	1
3	321371	BRKT, REAR SUPT RH.....	1
4	41462	SPACER, SLEV .328X .75X .312PM.....	1
5	321370	BRKT, REAR SUPT LH.....	1
6	41462	SPACER, SLEV .328X .75X .312PM.....	1
7	313719-853	HANDLE, HEIGHT ADJUST.....	1
8	313763	GRIP, HANDLE, LIFT.....	1
9	54855	BOLT, .500X .345 HSSH 3/8-16.....	1
10	1499	NUT, 3/8-16 REGHXCTRLK.....	1
11	35410	SPRING .071 X .62 X 4.37.....	1
12	323897	BRKT, LINK UPPER.....	1
13	54855	BOLT, .500X .345 HSSH 3/8-16.....	1
14	1499	NUT, 3/8-16 REGHXCTRLK.....	1
15	323898	BRKT, RER FRAME.....	1
16	710312	SCREW, 5/16-18X1.00.....	1
17	1498	NUT, 5/16-18 REGHEXCTRLK.....	1
18	323899	BRKT, LINK LOWER.....	1
19	313560	BOLT, .500X .225 HSSH 5/16-18.....	2
20	1498	NUT, 5/16-18 REGHEXCTRLK.....	2
21	56180	PIN, HAIR .53DIAX1.62LG.....	1
22	315314	CHUTE DEFLECTOR.....	1
23	314975	SPRING, TORSION CHUTE DEFLECTOR.....	1
24	304424	ROD, PIVOT DECK .312DX7.25.....	1
25	73787	WASHER, FLAT .330X .75X.1793.....	1
26	73787	WASHER, FLAT .330X .75X.1793.....	1



NOTE: ALWAYS USE ORIGINAL EQUIPMENT PARTS. Use of service/replacement parts other than original equipment parts may void your warranty.

ALL UNNUMBERED ITEMS ARE INTERCHANGEABLE WITH OPPOSITE SIDE

338681B

ELECTRICAL ASSEMBLY

KEY#	PART#	DESCRIPTION	QTY
1	338605	WIRE HARNESS	1
2	57569	RETAINER, .31IDX.62X.03 WIRE	1
4	309698	CLIP, WIRE ROUTING, SNAP-IN	1
5	320082	SWITCH, DOUBLE POLE	1
6	57476	SWITCH, SCR MNT	1
7	57220	SCREW, #12 X .50	2
8	326654	SWITCH, SNAP	1
9	327354	SWITCH, IGNITION & LIGHTS	1
10	327352	NUT, 5/8-8ACME	1
11	300194	BOOT, IGN SWITCH	1
12	327350	KEY, IGNITION	1
13	53716	SOLENOID	1
14	187745	SCREW, 1/4-20X .75 HXSEMMA	2
16	1502	NUT, 1/4-20 REGHEXCTRLK	2
17	271172	NUT, 1/4-20 REGHEXKEPS	1
18	271187	NUT, 5/16-24 HKEPS	2
19	57569	RETAINER, .31IDX.62X.03	1
20	302257	BATTERY 12V 7 PLATE	1
21	180020	SCREW, 1/4-20X .75 HHC	2
22	271172	NUT, 1/4-20 REGHEXKEPS	2
23	327784	SUPPORT BATTERY HOLDDOWN	1
24	325232	NUT, WING 1/4-20 NYLON	1
25	55511	WIRE, GROUND, 12.5"	1
26	322698	WIRE, STARTER, RED	1
27	52572	BULB, HEADLAMP	1
28	302031	FUSE SPADE TYPE 32V 15A	1
29	124818	NUT, 1/4-20 REGHXJAM	1

WIRING SCHEMATIC

