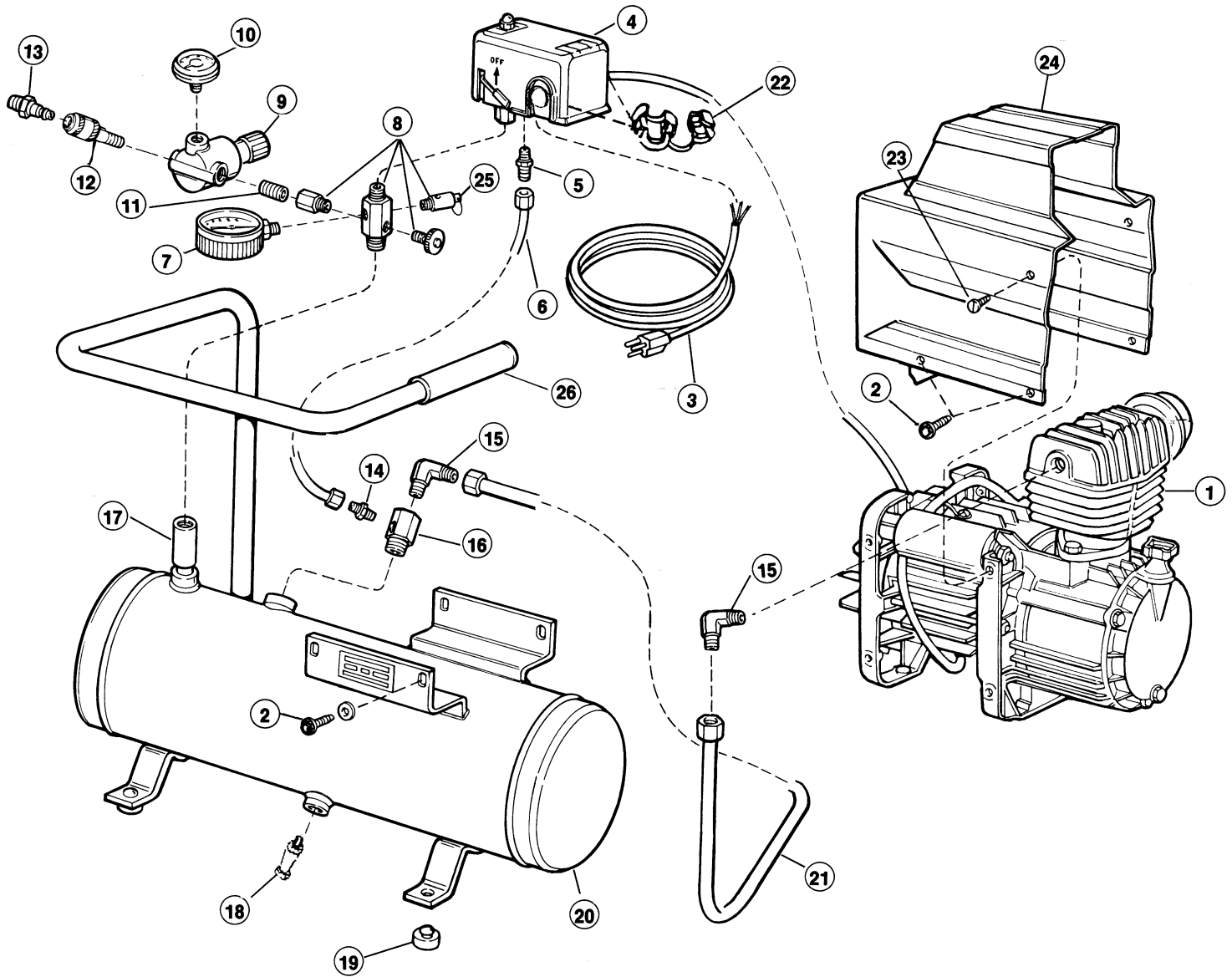


Rol-Air

SCHEMATIC FOR MODELS
D075LS3 D1500HS3
D075HS3



**Associate Engineering Corporation**

606 S. Lake Street P.O. Box 346

Hustisford, Wisconsin 53034-0346

Phone: 920-349-3281

Sales Fax: 920.349.3691 Service Fax: 920.349.8861

www.rolair.net**PARTS LIST FOR MODELS****D075LS3****D1500HS3****D075HS3**

Schematic #	Description	Part #	Qty.
1	1 HP Pump/Motor – Model D075HS3	PMP11MK100FI	1
	1 HP Pump/Motor – Model D075LS3	PMP11MK105FI	1
	2 HP Pump/Motor – Model D1500HS3	PMP11MK200FI	1
2	12-14 x 1" Hex Head Zinc Screw	MIS10036	4
3	6' 16-3 Cord Assembly	176	1
4	Pressure Switch (Includes PS2020RV)	PS2020	1
5	Relief Valve	PS2020RV	1
6	1/4" Nylon Tube	Specify Model	1
7	Pressure Gauge	GA0250200	1
8	Brass Manifold	154A	1
9	1/4" Regulator	REG0250M	1
10	Pressure Gauge	GA0125200	1
11	Nipple	BLNP0250X1500	1
12	Quick Disconnect	308	1
13	Male Coupler Plug	310	1
14	Brass Str. Connector (D075LS3, D075HS3 Only)	BRST0250X012538	1
15	Brass Elbow (D075LS3, D075HS3 Only) (D1500HS3 Only) Includes Compression Fitting	BREL0375X037539	1
		BREL0500X037539	1
16	Check Valve (D1500HS3 Only) With Bleeder Valve Installed	CV3X4TWB	1
	1/8" Bleeder Valve Only	CSV0125	1
	(All Other Models)	CV3X4T	1
17	1/2" Coupling	BLCP0500	1
18	1/4" Drain Cock	132B	1
19	Rubber Feet	218	4
20	Tank Assembly	TNKASYS3	1
21	3/8" Copper Tube (D075LS3, D075HS3 Only)	Specify Model	1
	1/2" Copper Tube (D1500HS3 Only)	Specify Model	1
22	3/8" Straight Box Connector	160	2
23	1/2" Hex Head Screw	014006121F	2
24	Shroud	199657000F	1
25	Safety Relief Valve	Consult Factory	1
26	Handle Grip	328	1
	Filter Assembly	317013000F	
	Filter Element	317013004FE	