

# SERVICE PARTS LIST

# MODEL

# PART NUMBER

GEN PWRBASE 2KW LA

PL0542000

GEN PWRBASE 2KW

PM0542000

GEN PWRBASE 2KW LA (BRUSHLESS)

PL0542000.01

GEN PWRBASE 2KW (BRUSHLESS)

PM0542000.01

GEN PWRBASE 2KW LO LA

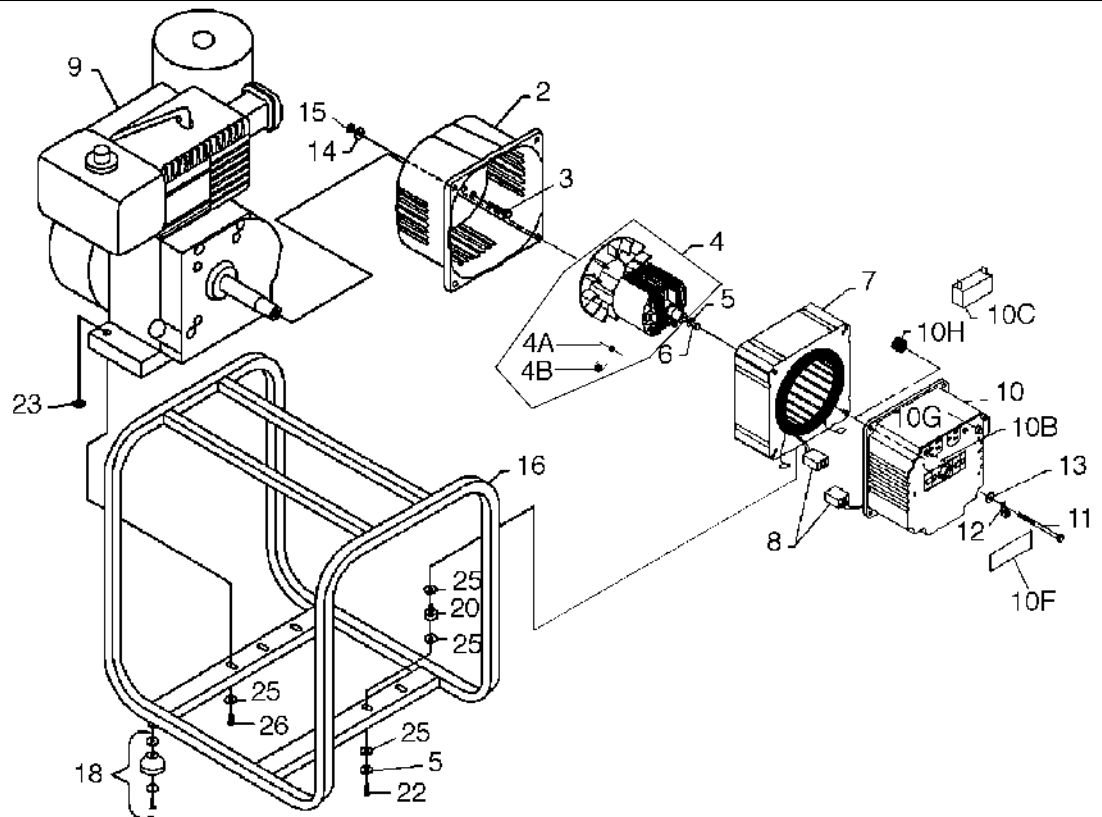
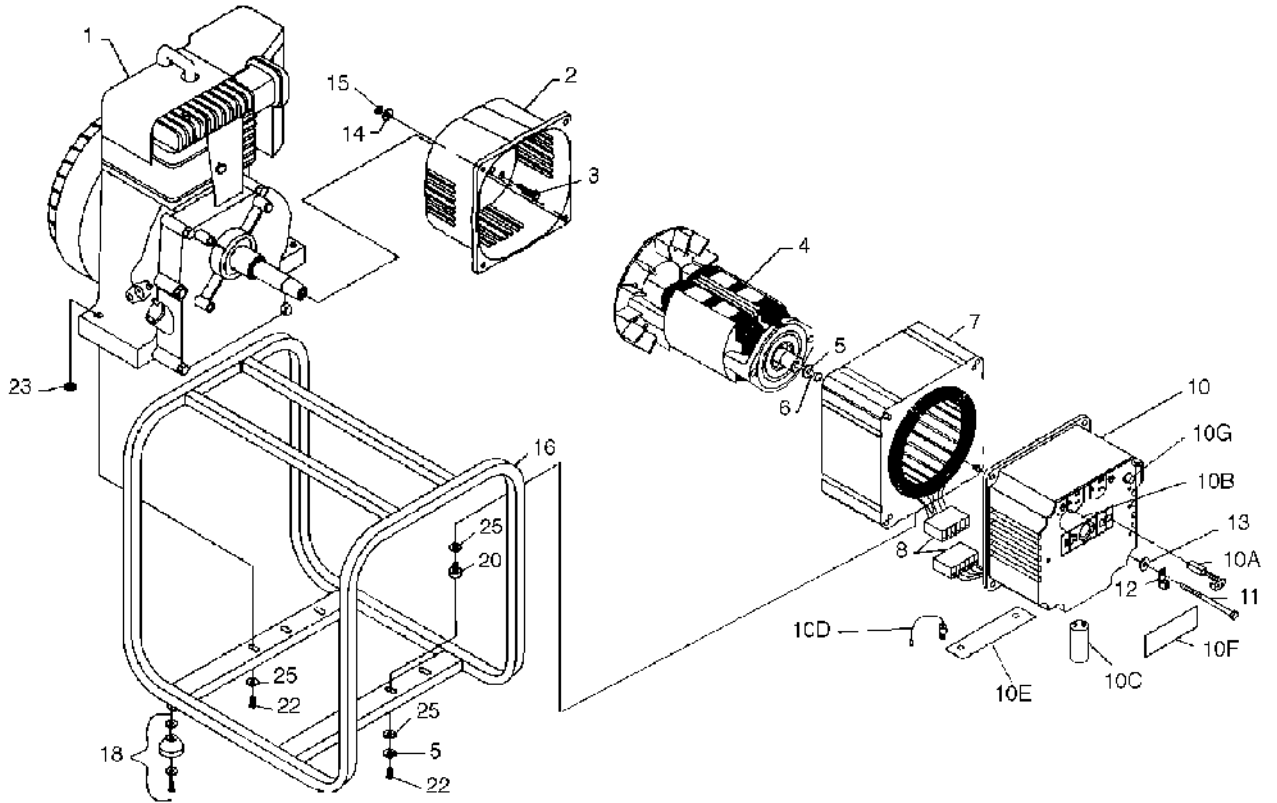
PL0542200

GEN PWRBASE 2KW LO

PM0542200

GEN PWRBASE 2KW LO (BRUSHLESS)

PM0542200.01



**SERVICE PARTS LIST**

**MODEL**

**PART NUMBER**

GEN PWRBASE 2KW LA

PL0542000

GEN PWRBASE 2KW

PM0542000

GEN PWRBASE 2KW LA (BRUSHLESS)

PL0542000.01

GEN PWRBASE 2KW (BRUSHLESS)

PM0542000.01

GEN PWRBASE 2KW LO LA

PL0542200

GEN PWRBASE 2KW LO

PM0542200

GEN PWRBASE 2KW LO (BRUSHLESS)

PM0542200.01

REF. NO.	PART NO.	DESCRIPTION	MODEL NUMBER						
			PL0542000	PM0542000	PL0542000.01	PM0542000.01	PL0542200	PM0542200	PM0542200.01
1	NOTE A	ENGINE, 5HP B/S STD	1	1	1	1			
1	NOTE A	ENGINE, 5HP B/S LO					1	1	1
2	0050448.01	ADAPTER, ENGINE	1	1	1	1	1	1	1
4	0049617	ROTOR, 2KW B/S RF5 (BRUSH)	1	1			1	1	
4	0051249	ROTOR, 2KW B/S RF5 (BRUSHLESS)			1	1			1
4A	0047801	DIODE, MR760			2	2			2
4B	0054962	VARISTOR, V510LA40A			2	2			2
7	0055503	STATOR, 2.0KW 60HZ BRUSH	1	1			1	1	
7	0055504	STATOR, 2.0KW 60HZ BRSHLES			1	1			1
8	0034801	CONNECTOR HSG. SET, ENDBELL	1	1			1	1	
8	0049835	CONNECTOR HSG. SET, ENDBELL			1	1			1
10	0048164.01	ENDBELL, WIRED COMPLETE (BRUSH)	1	1			1	1	
10	0051252.01	ENDBELL, WIRED COMPLETE (BRUSHLESS)			1	1			1
10A	0050439	BRUSH, E-4R	2	2			2	2	
10B	0035188	BEARING, NEEDLE FTT-1212	1	1	1	1	1	1	1
10C	0034819.01	CAPACITOR, 130MF	1	1			1	1	
10C	0051251	CAPACITOR, 12MF			1	1			1
10D	0034843.01	DIODE	1	1			1	1	
10E	0038976	HEAT SINK FOR DIODE	1	1			1	1	
10F	0038968	COVER, BRUSH	1	1	1	1	1	1	1
10G	0049071	CIRCUIT BREAKER, 20 AMP	1	1	1	1	1	1	1
12	0008854	LUG, GROUND	1	1	1	1	1	1	1
16	0037952	CARRIER, ASSY	1	1	1	1	1	1	1
17	0038596	RUBBER FOOT, ASSY	4	4	4	4	4	4	4
20	0035121	ISOLATOR, STATOR	1	1	1	1	1	1	1

**NOTE A:** COLEMAN POWERMATE WILL NOT PROVIDE ENGINES AS REPLACEMENT PARTS. ENGINES ARE COVERED THROUGH THE ENGINE MANUFACTURER'S WARRANTY.