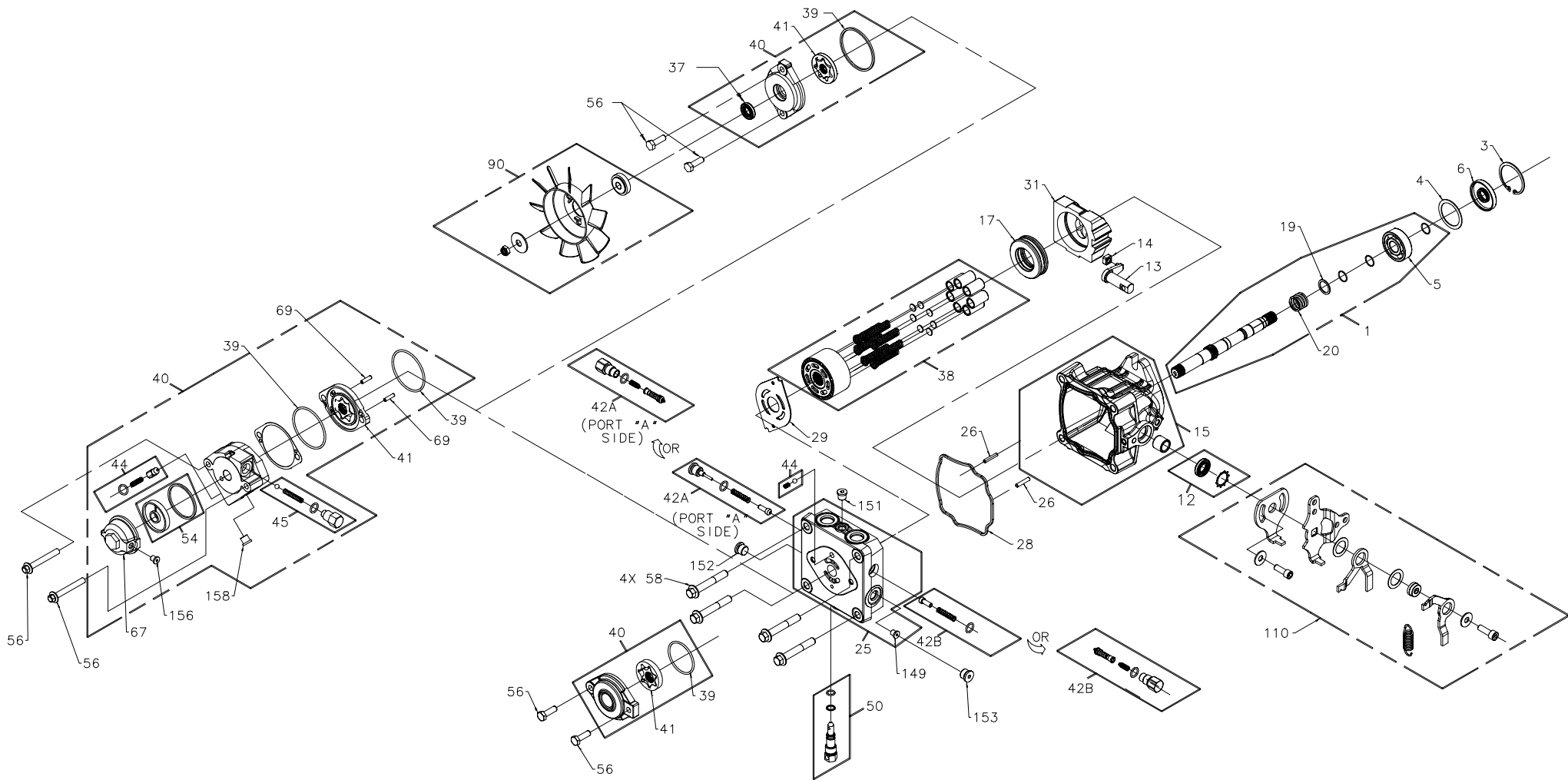
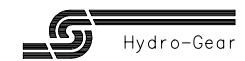


PR SERIES SERVICE SCHEMATIC (P-16A)



99 - OVERHAUL SEAL KIT



PR SERIES CROSS REFERENCE MATRIX

REFERENCE NO	MODEL NO	PUMP SHAFT (KIT #1)	HOUSING (KIT #15)	ENDCAP (KIT #25)	BYPASS VALVE (KIT #50)	CHECK VALVE (RH) (KIT #42A)	CHECK VALVE (LH) (KIT #42B)	TRUNNION ARM	CHARGE PUMP (KIT #40)	CHARGE RELIEF (KIT #44)	INPUT ROTATION	RTN (KIT #110)
BDP-16A-100	PR-1DNN-KY1X-XXXX	70581	70738	70736	2513030	2510050	2510050	LH	70470	70402	CW	
BDP-16A-105	PR-2DAA-GA11-XXXX	70578	70738	70736	2513030	70741	70741	LH	70924	70402	CW	70869
BDP-16A-200	PR-3ACC-EY1X-XXXX	70580	70738	70736	2513030	70743	70743	RH	70470	70402	CW	
BDP-16A-203	PR-1AAA-EY1X-XXXX	70581	70738	70736	2513030	70741	70741	RH	70470	70402	CW	
BDP-16A-301	PR-3JCC-EY1X-XXXX	70580	70738	70736	2513030	70743	70743	LH	2510080	70402	CCW	
BDP-16A-302	PR-5JQC-FY1X-X1XX	2510091	70738	70736	2513030	2510027	70743	LH	70924	70402	CCW	
BDP-16A-306	PR-1MCC-EY1X-XXXX	70581	70738	70736	2513030	70743	70743	LH	2510071	70402	CCW	
BDP-16A-307	PR-1JBC-EY1X-XXXX	70581	70738	70736	2513030	70742	70743	LH	2510071	70402	CCW	
BDP-16A-308	PR-1KCC-EY1X-XXXX	70581	70738	70736	2513030	70743	70743	LH	2510071	70402	CCW	
BDP-16A-312	PR-1KCC-EG1X-XXXX	70581	70738	70736	2513030	70743	70743	LH	2510071	70402	CCW	70872
BDP-16A-315	PR-2KDD-G11X-XXXX	70578	70738	70736	2513030	70744	70744	LH	70924	70402	CCW	
BDP-16A-401	PR-5GQC-FY1X-X1XX	2510091	70738	70736	2513030	2510027	70743	RH	70924	70402	CCW	
BDP-16A-407	PR-1HCC-EY1X-XXXX	70581	70738	70736	2513030	70743	70743	RH	2510071	70402	CCW	
BDP-16A-409	PR-1LCC-EY1X-XXXX	70581	70738	70801	2513030	70743	70743	RH	2510071	70402	CCW	
BDP-16A-410	PR-1HBC-EY1X-XXXX	70581	70738	70736	2513030	70742	70743	RH	2510071	70402	CCW	
BDP-16A-414	PR-1HCC-EG1X-XXXX	70581	70738	70736	2513030	70743	70743	RH	2510071	70402	CCW	70872
BDP-16A-416	PR-2HDD-G11X-XXXX	70578	70738	70736	2513030	70744	70744	RH	70924	70402	CCW	
BDP-16A-801	PR-1KCC-JY1X-XXXX	70581	70738	70737	2513030	70743	70743	LH	70472	70471	CCW	
BDP-16A-901	PR-1HCC-JA1X-XXXX	70581	70738	70737	2513030	70743	70743	RH	70472	70471	CCW	70869



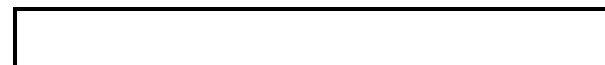
Hydro-gear Drawing Note: See IDEAS Drawing 70728 for Sheet 1 of 4

		1411 S. HAMILTON ST. SULLIVAN, IL 61951 PHONE: (217) 728-2581	
SERVICE DRAWING - PR (16cc)		P 2 of 4	
PART NUMBER:		DATE:	09/29/03
		70728	REV: P9


PR SERIES Item # Listing

ITEM #	PART #	DESCRIPTION
1	70580	KIT PUMP SHAFT (19T SPLINE)
	70581	KIT PUMP SHAFT (17mm KEYED)
	70578	KIT PUMP SHAFT (17mm KEYED THRU TAPER)
	2510091	PUMP SHAFT KIT (DOUBLE TAPERED THRU SHAFT)
3	2000038	RETAINING RING
4	2000023	SPACER
5	2000032	SHAFT BALL BEARING
6	51092	LIP SEAL 17 X 47 X 8 PTCN1
12	70739	TRUNNION SEAL KIT
13	2000014	TRUNNION ARM (STD)
	51596	TRUNNION ARM (SQR. TAPER)
14	2000015	SLOT GUIDE
15	70738	HOUSING KIT
17	51462	THRUST BALL BEARING ASSEMBLY
19	2000024	BLOCK THRUST WASHER
20	2000025	BLOCK SPRING
25	70736	END CAP KIT (FOR POPPETS & STD CHG)
	70801	END CAP KIT (FOR POPPETS & AUX CHG TCD)
	70737	END CAP KIT (FOR POPPETS & AUX CHG)
	70801	END CAP KIT (W/POPPETS & STD CHG)
26	50641	PIN
28	51437	O-RING
29	51455	VALVE PLATE
31	51436	VARIABLE SWASHPLATE
38	70735	CYLINDER BLOCK KIT (16cc)
39	9004100-1430	O-RING
	51016	R-RING -144
40	70470	CHARGE PUMP KIT (.13 STD SPLINED)
	2510071	CHARGE PUMP KIT (.19 STD SPLINED)
	2510080	CHARGE PUMP KIT (.13 STD THRU SHAFT)
	70924	CHARGE PUMP KIT (.19 STD THRU SHAFT))
	2510074	CHARGE PUMP KIT (CW - IRON AUX, 40-70 PSI, .002" SHIM)
	70389	CHARGE PUMP KIT (CW - IRON AUX, 135-165 PSI, .002"SHIM)
	2510075	CHARGE PUMP KIT (CCW - IRON AUX, 40-70 PSI, .002" SHIM)
	70387	CHARGE PUMP KIT (AL AUX, 7/16 SAE PORT, 40-70 PSI, .002" SHIM)
	70472	CHARGE PUMP KIT (AL AUX, 7/16 SAE PORT, (75-105 PSI, .002" SHIM)
41	50656	GEROTOR ASSEMBLY (.13 cu.in./rev)
	50406	GEROTOR ASSEMBLY (.19 cu.in./rev)
	50761	AUX GEROTOR & HSG ASSEMBLY (0.19 cu.in./rev)
42	2510050	CHECK VALVE KIT (BLANK ORIFICE)
	2510062	CHECK VALVE KIT (.024" ORIFICE)
	2510027	CHECK VALVE KIT (.031" ORIFICE)
	2510034	CHECK VALVE KIT (.044" ORIFICE)
	70741	SHOCK VALVE KIT (BLANK ORIFICE) 200 BAR
	70742	SHOCK VALVE KIT (.024" ORIFICE) 200 BAR
	70743	SHOCK VALVE KIT (.031" ORIFICE) 200 BAR
	70744	SHOCK VALVE KIT (.044" ORIFICE) 200 BAR
	70836	(BLANK ORIFICE) 160 BAR
	70837	(.024" ORIFICE) 160 BAR
	70838	(.031" ORIFICE) 160 BAR
	70839	(.044" ORIFICE) 160 BAR
	70840	(BLANK ORIFICE) 120 BAR
	70841	(.024" ORIFICE) 120 BAR
	70842	(.031" ORIFICE) 120 BAR
	70843	(.044" ORIFICE) 120 BAR

ITEM #	PART #	DESCRIPTION
44	70402	CHARGE RELIEF KIT (1/4 PLASTIC BALL & 2000029 SPRING)
	70403	CHARGE RELIEF KIT (1/4 PLASTIC BALL & 50654 SPRING)
	2510081	CHARGE RELIEF KIT (W/ 9/16 SAE VALVE PLUG, 40-70 PSI)
	70471	CHARGE RELIEF KIT (W/ 9/16 SAE VALVE PLUG, 75-105 PSI)
	2510061	CHARGE RELIEF KIT (W/ 1/2 SAE VALVE PLUG, 40-70 PSI)
	70388	CHARGE RELIEF KIT (W/ 1/2 SAE VALVE PLUG, 135-165 PSI)
45	2510082	AUX RELIEF VALVE KIT
49	2510020	AUX BYPASS/CHECK KIT
50	2513030	BYPASS VALVE KIT (BLANK ORIFICE)
	2513031	BYPASS VALVE KIT (.031" ORIFICE)
	2510084	BYPASS VALVE KIT (.043" ORIFICE)
54	2510090	AUXILIARY FILTER KIT
56	50173	SOC HD CAP SCREW (M8 X 1.25-25MM LG.)
	51055	FLANGE HD SCREW, (5/16-18 x 2.5)
58	51457	HEX SCREW, FLANGED HEAD (M10 X 1.50-65MM LG.)
69	50408	DOWEL PIN
99	70740	OVERHAUL SEAL KIT
110	70899	CONTROL ARM KIT
	70869	RTN-STD (ILLUSTRATED)
	70870	RTN-CW RETURN
	70871	RTN-CCW RETURN
	71024	KIT-RTN-MED
	71025	KIT-RTN-CW-MED
	71026	KIT-RTN-CCW-MED
	70872	RTN-HVY
	70873	RTN-HVY CW RETURN
	70874	RTN-HVY CCW RETURN
149	9005110-3100	5/16-24 STEEL PLUG
151	9005110-4400	7/16-20 STEEL PLUG
152	9005100-5600	9/16-18 STEEL PLUG
153	9005110-5600	9/16-18 STEEL PLUG
156	9005110-3100	5/16-24 STEEL PLUG
158	9005110-4400	7/16-20 STEEL PLUG



Hydro-gear Drawing Note: See IDEAS Drawing 70728 for Sheet 1 of 4

		1411 S. HAMILTON ST. SULLIVAN, IL 61951 PHONE: (217) 728-2581	
		SERVICE DRAWING - PR (16cc)	
		P 3 of 4	
		DATE:	09/29/03
PART NUMBER:		70728	REV: P9


PR SERIES GENERIC SERVICE KITS

Model Number Format: **PR - XXXX - XXXX - XXXX**
 Character Number: 1 2 3 4 5 6 7 8 9 10 11 12 13 14

Character 3		Character 5 or 6		Character 4		Character 7						RTN		BYPASS VALVE		FAN		
PUMP SHAFT	HOUSING		CHECK VALVE		END CAP		END CAP		CHARGE PUMP	CHARGE RELIEF		RTN		BYPASS VALVE		FAN		
KIT #1	KIT #15		KIT #42	Char 4	KIT #25	Char 7	KIT #25		KIT #40	KIT #44	Char 8	KIT #110	Char 9	KIT #50	Char 10	KIT #90		
1	70581	70738 (STD)	A	70741	E,F,L,M	70801 (Top CD, Chg)	E,F,G,K,L,M,N	70736 (Chg)	E	2510071	70402	A,B	70869	1	2513030	1	70916	
2	70578		B	70742					C,D	70870		2	2513031	2	70888			
3	70580		C	70743					E,F	70871				4	70618			
4	71019		D	70744					G,H	70872				5	70675			
5	2510091		E	70836					J,K	70873								
7	70713		F	70837					L,M	70874								
C	71022		G	70838					N,P	71024								
6	70606	70965 (Tandem, Input)	H	70839					P,V	70387	2510081	Q,R	71025					
P	70754		J	70840					Q	70927	70926	T,U	71026					
T	70753		K	70841					J	70472	70471	V,W	70899					
U	70605		L	70842					1, 2, 3	70976 (Tandem)	NA	NA	NA					
V	71020	70966 (Tandem, Second)	M	70843														
W	71021		N	2510050														
Y	70607		P	2510062														
			Q	2510027														
			R	2510034														



Hydro-gear Drawing Note: See IDEAS Drawing 70728 for Sheet 1 of 4

	1411 S. HAMILTON ST. SULLIVAN, IL 61951 PHONE: (217) 728-2581	
	SERVICE DRAWING - PR (16cc)	P 4 of 4
PART NUMBER:	70728	REV: P9
	DATE:	09/29/03