



# *ELITE Series*<sup>TM</sup>

## PORTABLE GENERATORS

### Illustrated Parts List

Questions? Help is just a moment away!

Preguntas? La ayuda es justa un momento lejos!

Call: **Generator Helpline**

Llame: **Línea Directa del Generador**

**1-800-743-4115** M-F 8-5 CT

web: [www.briggsandstratton.com](http://www.briggsandstratton.com)

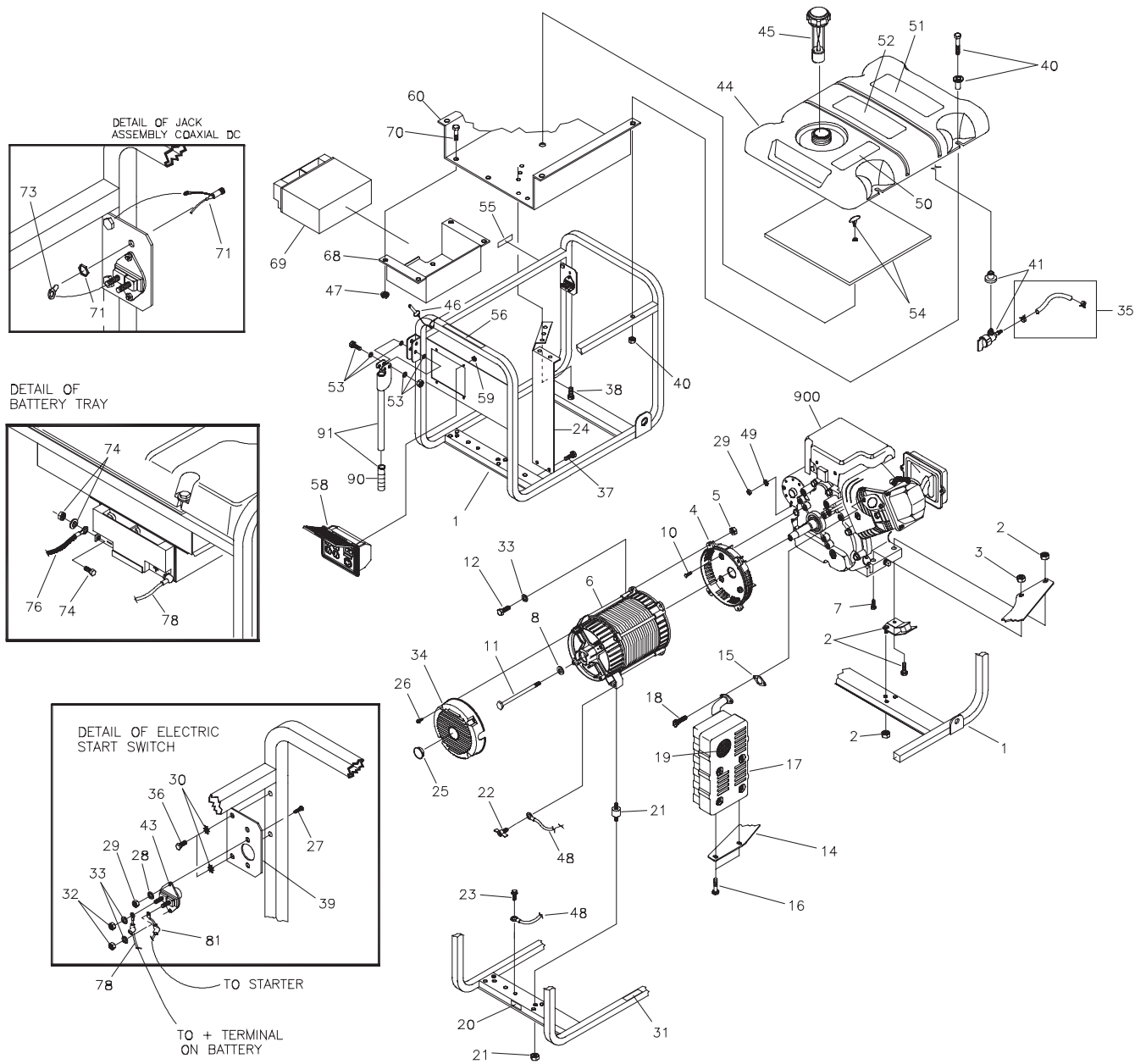
# 030242 (6200W)



**BRIGGS & STRATTON POWER PRODUCTS GROUP, LLC**  
**JEFFERSON, WISCONSIN, U.S.A.**

Manual No. 197523A Revision I (07/17/2006)

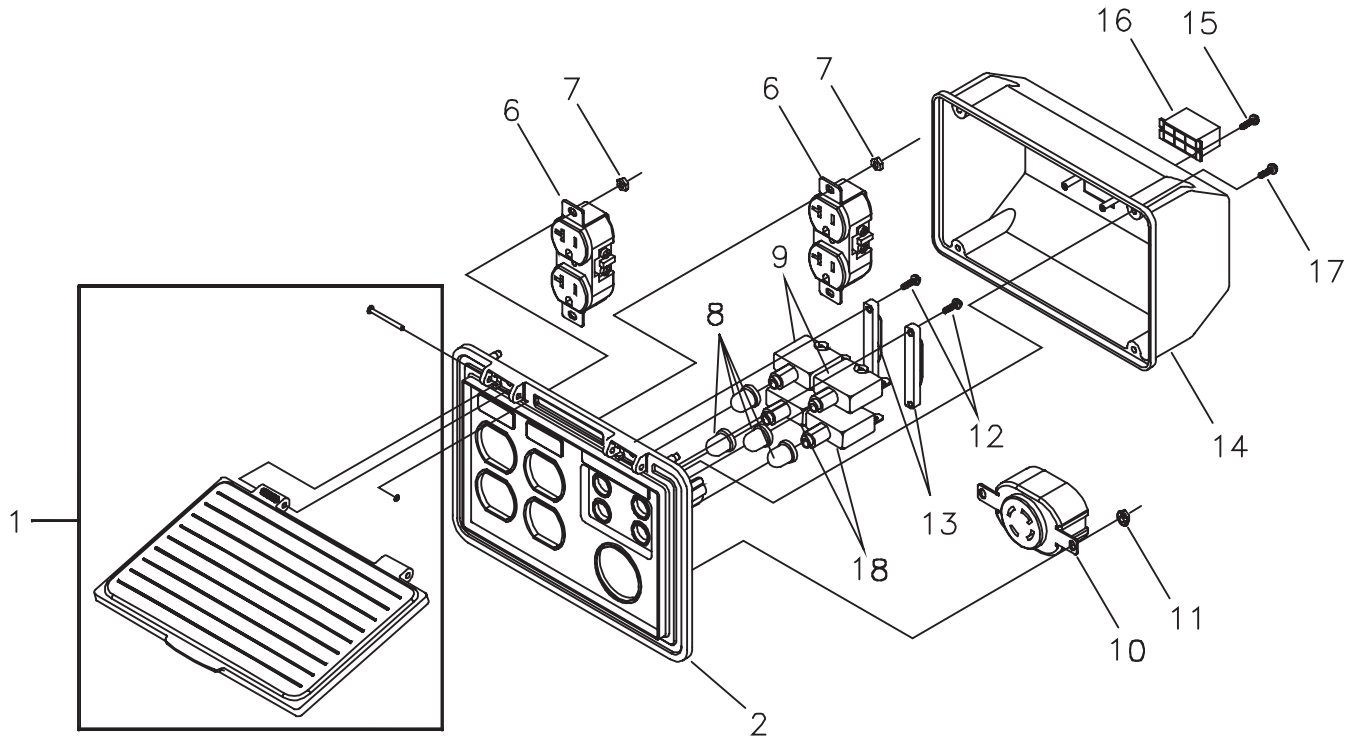
# EXPLODED VIEW - MAIN UNIT



Copyright © 2006 Briggs & Stratton Power Products Group, LLC. All rights reserved. No part of this material may be reproduced or transmitted in any form by any means without the express written permission of Briggs & Stratton Power Products Group, LLC.



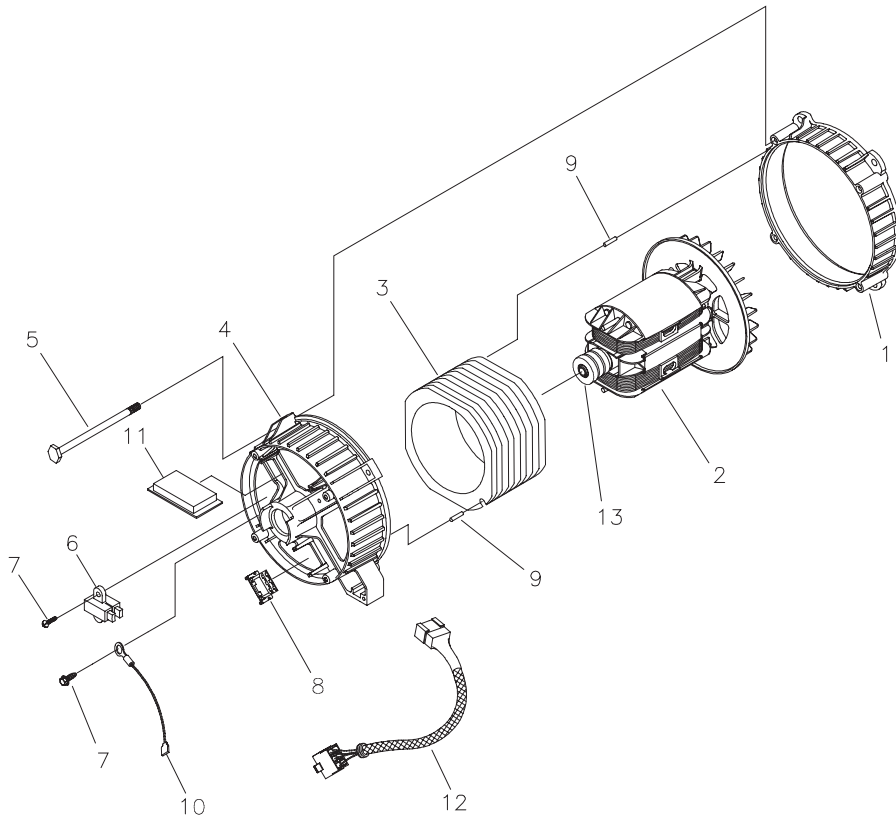
## EXPLODED VIEW AND PARTS LIST - CONTROL PANEL



Item	Part #	Description
1	195112GS	KIT, Control Panel Lid
2	191450GS	CONTROL PANEL, Compact
6	68759GS	OUTLET, 120V, 20A, Duplex
7	*	NUT, Palnut, 5/32
8	84198GS	CAP, Breaker, Circuit
9	75207AGS	BREAKER, Circuit, 30A
10	43437GS	OUTLET, 120/240V Locking, 30A
11	*	NUT, Palnut, 3/16
12	*	PPPHS, M3- 0.5 x 18
13	93857GS	BAR, Retaining
14	188890GS	COVER, Back, Control Panel
15	82308GS	SCREW, Tapping, STC 3 x 18
16	22694GS	HOUSING, Receptacle
17	192241GS	SCREW, Tapping, 3.5 x 14
18	75207PGS	BREAKER, Circuit, 25A

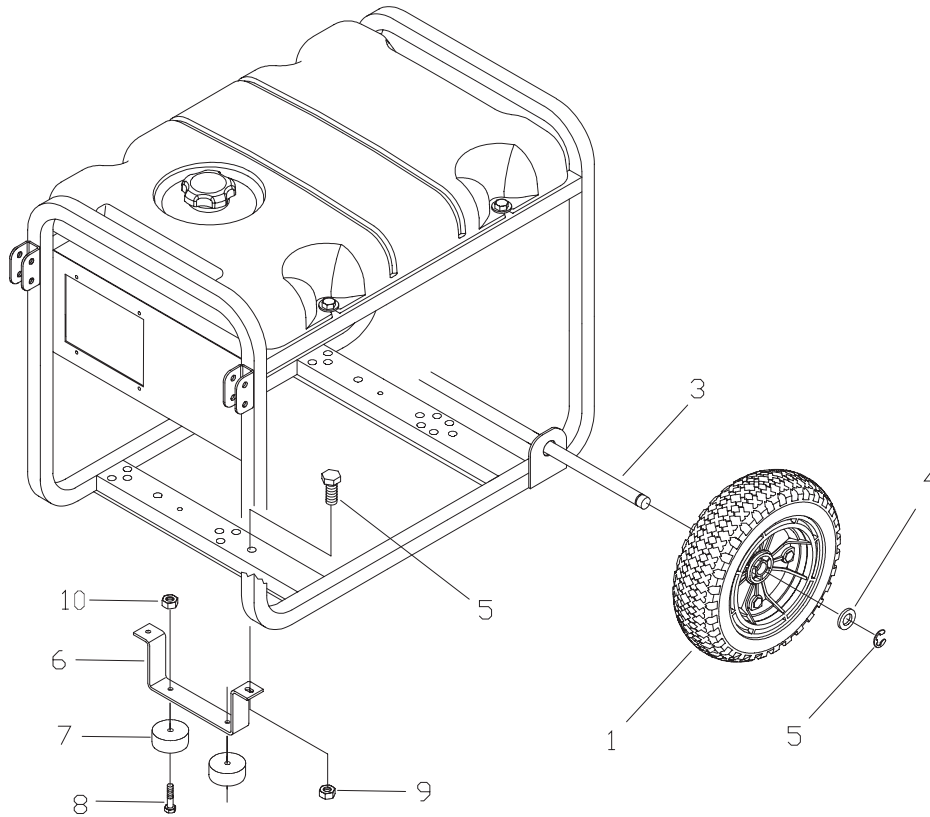
\* - Items without part numbers are common fasteners and are available at your local hardware store.

## EXPLODED VIEW AND PARTS LIST - ALTERNATOR



Item	Part #	Description
1	186059GS	ADAPTER, Mounting, Alternator
2	191876GS	ROTOR (Includes Item 13)
3	194006AGS	STATOR
4	186060GS	RBC, (with O-Ring, p/n 189197GS)
5	86308HGS	HHCS, M6 - 1.0 x 140 SEMS
6	66386GS	ASSY, Holder, Brush
7	66849GS	TAPTITE, M5 - 0.8 x 16
8	22694GS	RECEPTACLE, 6 pin
9	81917GS	PIN, Roll, 4mm x 10
10	193428AGS	ASSY, Wire, Ground
11	189769GS	REGULATOR, Voltage, AVR
12	194274GS	HARNESS, Wire, Power
13	65791GS	BEARING

## EXPLODED VIEW AND PARTS LIST - WHEEL KIT



Item	Part #	Description
1	*	WASHER, 5/8
2	196517GS	WHEEL
3	191267GGS	AXLE, 5/8" x 23.62"
4	191265GS	E-RING, 5/8
5	*	HHCS, M8 - 1.25 x 20
6	B187101GS	LEG, Support
7	87841GS	MOUNT, Vibration
8	*	HHCS, 1/4 - 20 x 1
9	52858GS	NUT, M8 - 1.25 Lock
10	192432GS	NUT, 1/4 - 20 Serrated Lock

\* - Items without part numbers are common fasteners and are available at your local hardware store.