



44P700

Illustrated Parts List

Model Series

44P700

TYPE NUMBERS
0016 through 0884.

TABLE OF CONTENTS

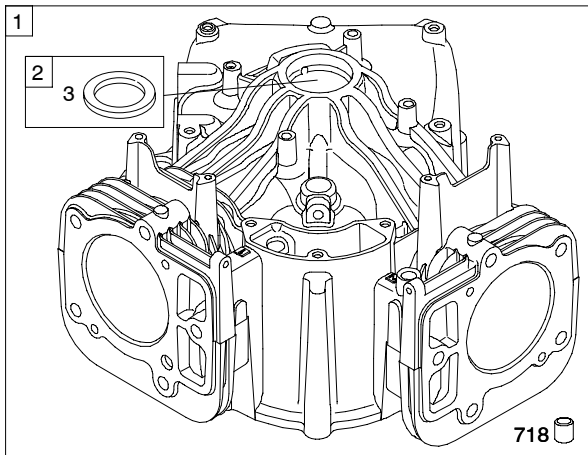
Air Cleaner	6
Alternators	8
Blower Housing/Shrouds	6
Camshaft	3
Carburetor	5
Controls	7
Crankshaft	3
Cylinder	2
Cylinder Head	4
Electric Starter	7
Engine Sump	2
Exhaust System	5
Flywheel	7
Ignition	8
Gasket Set - Engine	2
Gasket Set - Valve	4
Lubrication	3
Kit-Carburetor Overhaul	5
Piston, Rings, Connecting Rod	3
Valves	4



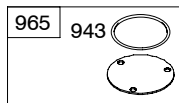
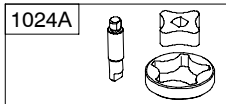
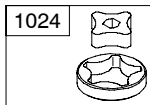
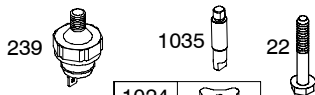
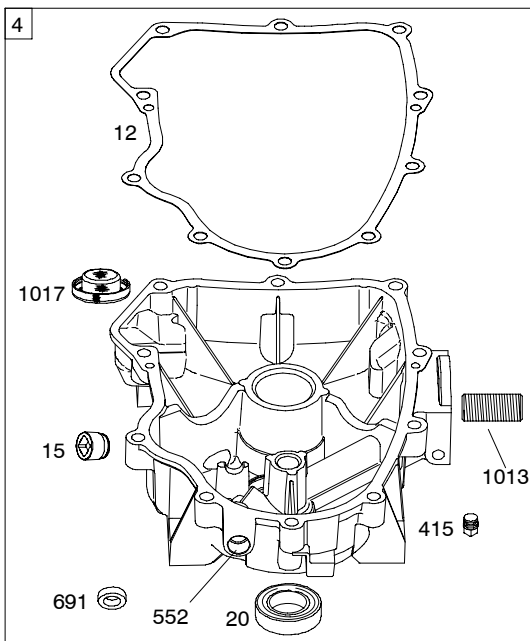
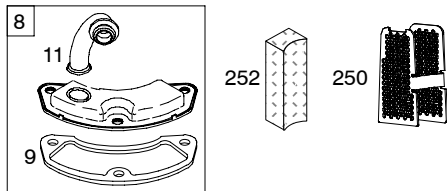
PRINTED IN U.S.A.

COPYRIGHT by BRIGGS & STRATTON CORPORATION
All rights reserved. No part of this material may be reproduced or transmitted, in any form or by any means, electronic or mechanical, including photocopying, recording or by any information storage and retrieval system, without permission in writing from Briggs & Stratton Corporation.

44P700



10

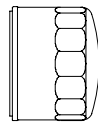
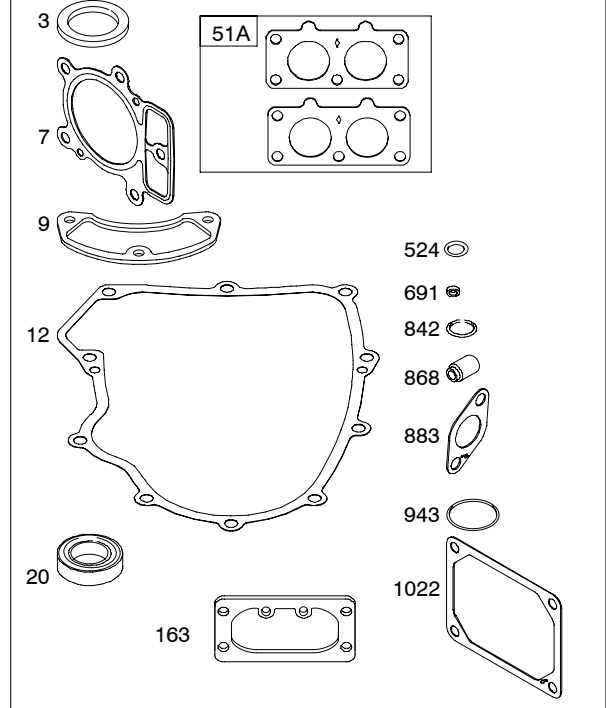


750

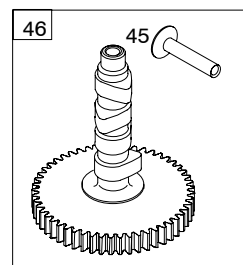
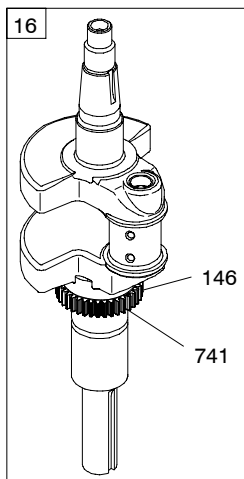
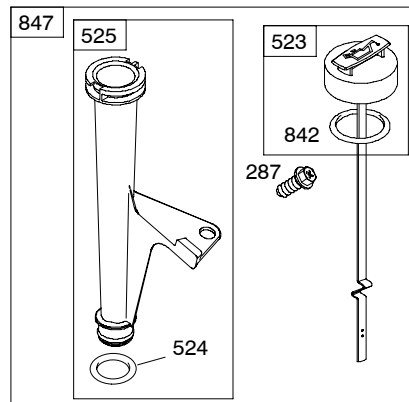
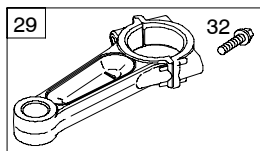
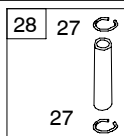
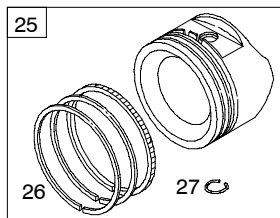
1058 OPERATOR'S MANUAL

1330 REPAIR MANUAL

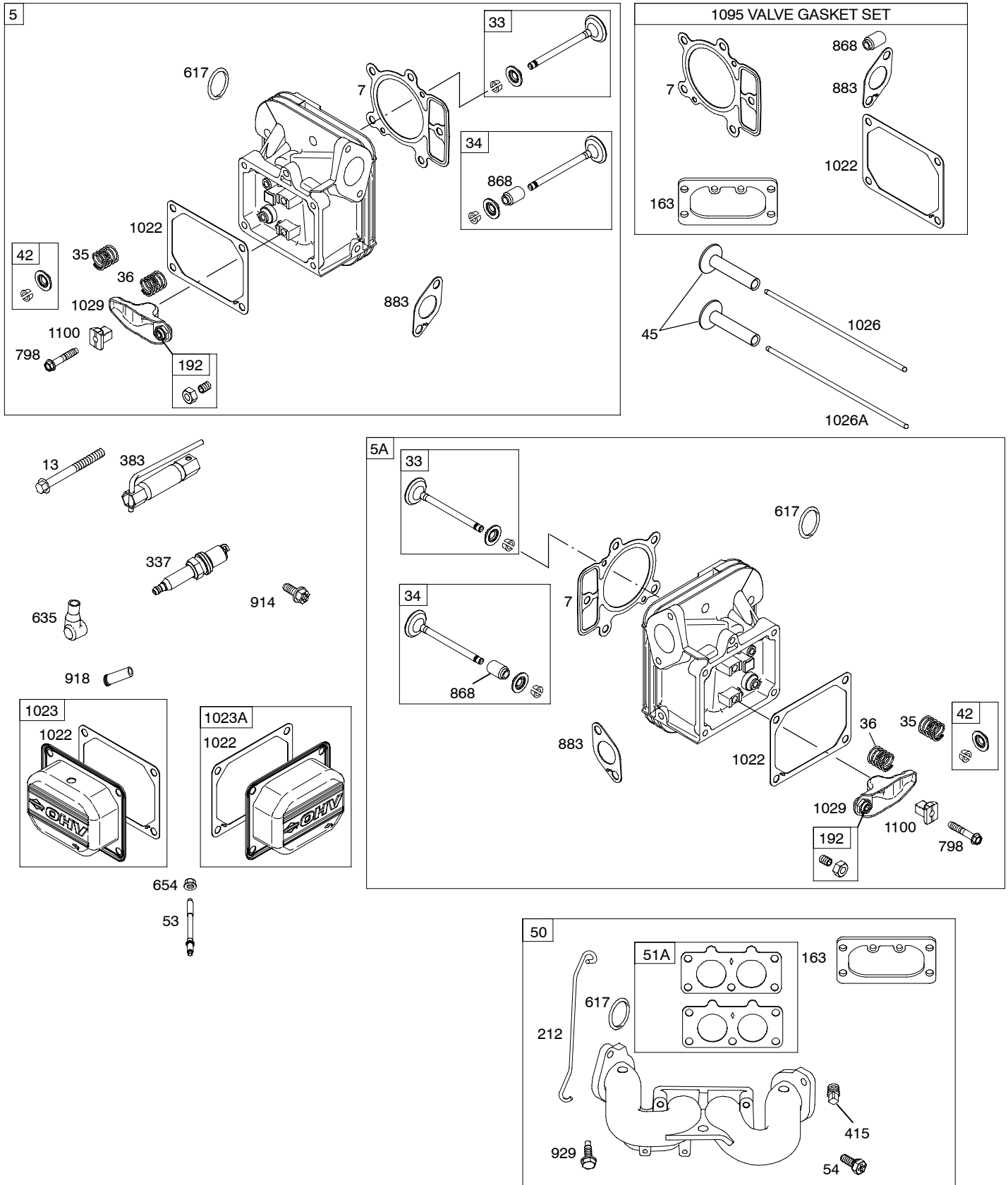
358A ENGINE GASKET SET



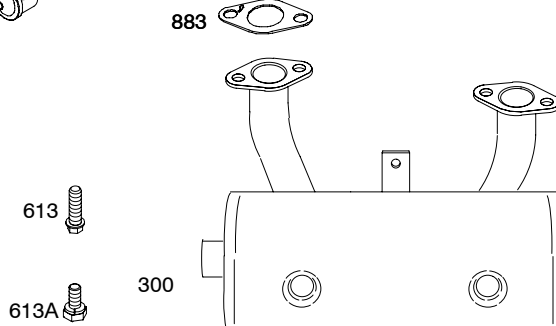
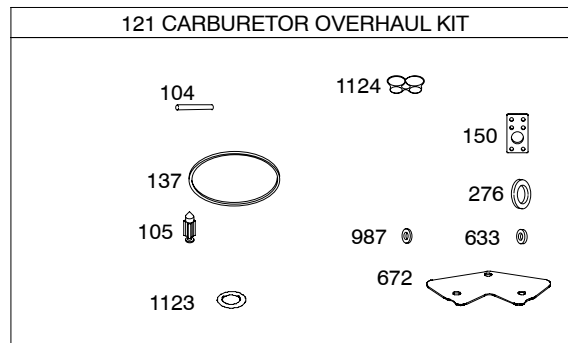
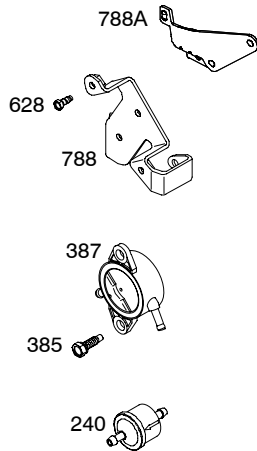
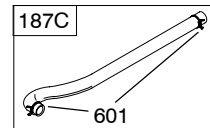
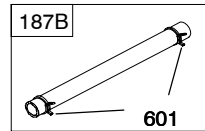
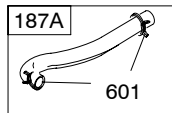
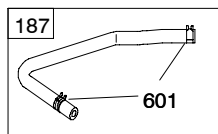
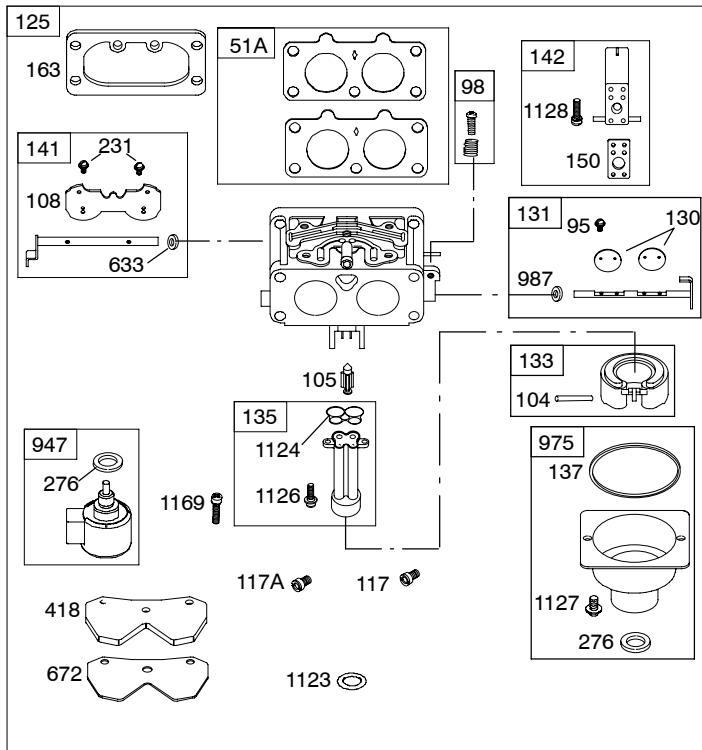
Illustrations cover a range of engines. Parts shown without corresponding text may not be used on your specific engine.



44P700

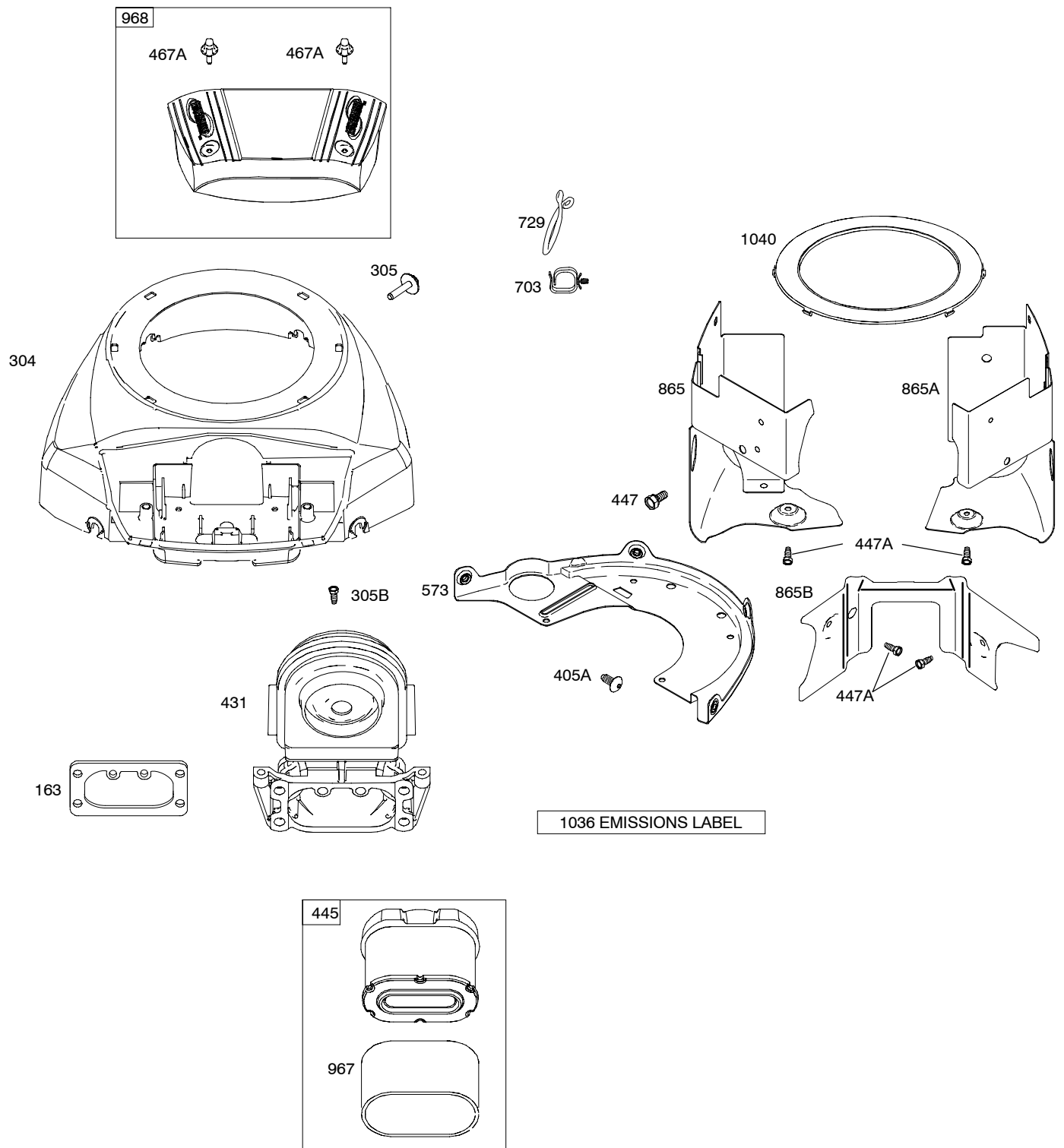


Illustrations cover a range of engines. Parts shown without corresponding text may not be used on your specific engine.



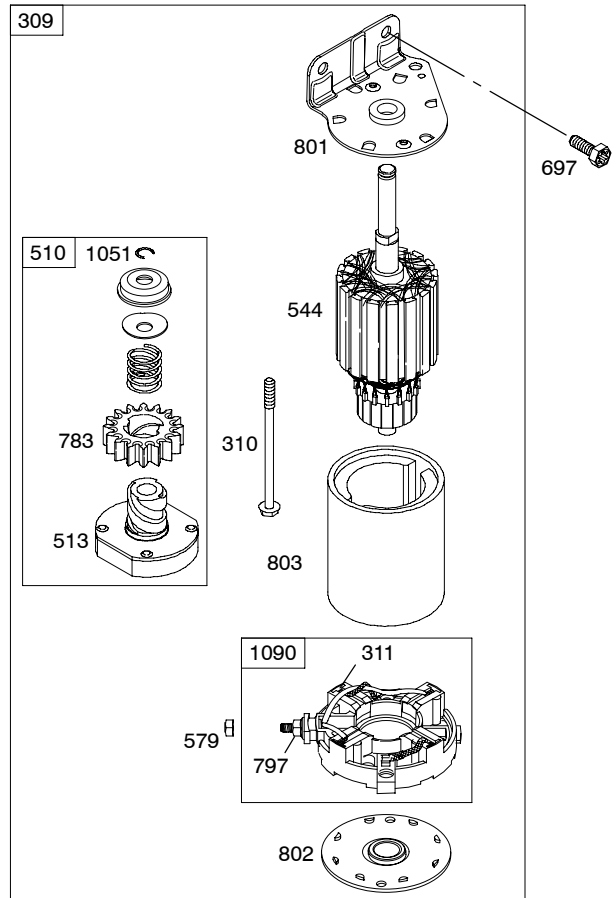
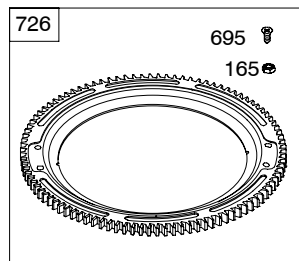
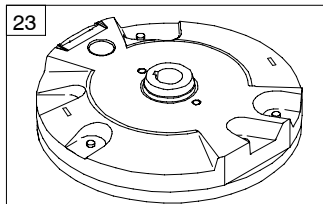
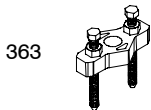
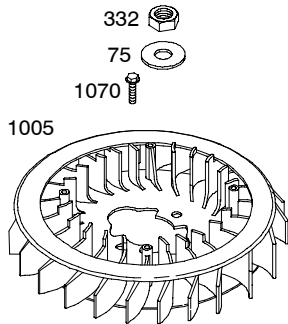
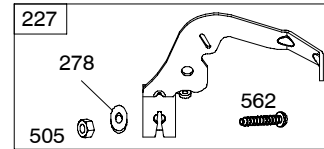
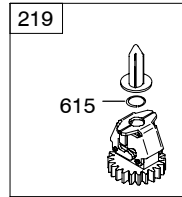
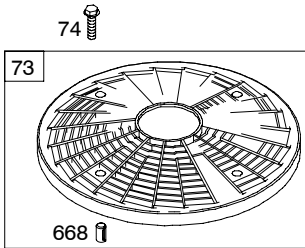
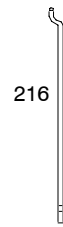
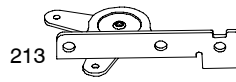
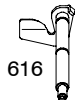
Illustrations cover a range of engines. Parts shown without corresponding text may not be used on your specific engine.
 3581-5 Assemblies include all parts shown in frames. 04/26/2007

44P700



Illustrations cover a range of engines. Parts shown without corresponding text may not be used on your specific engine.
3581-6 Assemblies include all parts shown in frames.

04/26/2007



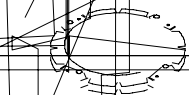
Illustrations cover a range of engines. Parts shown without corresponding text may not be used on your specific engine.
 3581-7 Assemblies include all parts shown in frames. 04/26/2007

44P700

DUALCIRCUIT

474C

877C



10 - 16 AMP

474B

1059

877B




878C



578A

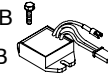


NOTE: All stators use a No. 1119 mounting screw. 

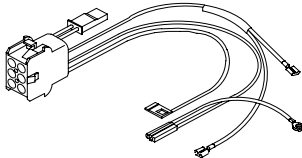
NOTE: The proper flywheel part number and/or the alternator magnet size will determine the alternator type or output. See repair instruction manual for additional information.

526B

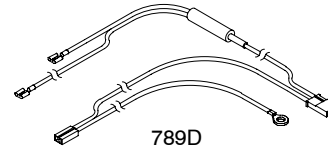
501B



789B

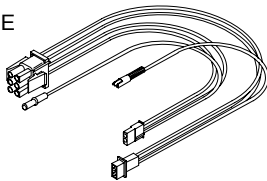


789A



789D

789E



1054

1119

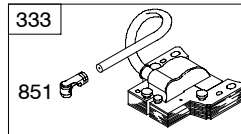
729

635

334

333

851



Illustrations cover a range of engines. Parts shown without corresponding text may not be used on your specific engine.

44P700

REF. NO.	PART NO.	DESCRIPTION	REF. NO.	PART NO.	DESCRIPTION	REF. NO.	PART NO.	DESCRIPTION		
1	793564	Cylinder Assembly	25	793560	Piston Assembly (Standard)	98	699721	Kit-Idle Speed		
2	499585	Kit-Bushing/Seal (Magneto Side)			----- Note -----	104	●694918	Pin-Float Hinge		
3	★391086s	Seal-Oil (Magneto Side)			793563 Piston Assembly (.020" Oversize)	105	●698537	Valve-Float Needle		
4	699747	Sump-Engine			26	793561	Ring Set (Standard)	108	699723	Valve-Choke
5	793558	Head-Cylinder (Cylinder 1)			----- Note -----	117	792296	Jet-Main (Standard) (Left)(Nikki)		
5A	793559	Head-Cylinder (Cylinder 2)			792073 Ring Set (.020" Oversize)	117A	842627	Jet-Main (Standard) (Right)(Nikki)		
7	★△693997	Gasket-Cylinder Head	27	690975	Lock-Piston Pin	118	699457	Jet-Main (High Altitude) (Left)(Nikki)		
8	792185	Breather Assembly	28	690229	Pin-Piston (Standard)	118A	699733	Jet-Main (High Altitude) (Right)(Nikki)		
9	★690937	Gasket-Breather	29	699699	Rod-Connecting (Standard)	121	792455	Kit-Carburetor Overhaul		
10	691108	Screw (Breather Assembly)	32	690976	Screw (Connecting Rod)	125	792295	Carburetor		
11	792184	Tube-Breather	33	793557	Valve-Exhaust	130	690993	Valve-Throttle		
12	★697227	Gasket-Crankcase	34	793556	Valve-Intake	131	499805	Kit-Throttle Shaft		
13	791130	Screw (Cylinder Head)	35	694865	Spring-Valve (Intake)	133	699724	Float-Carburetor		
15	690946	Plug-Oil Drain	36	694865	Spring-Valve (Exhaust)	135	699729	Tube-Fuel Transfer		
16	699700	Crankshaft	42	499586	Keeper-Valve	137	●690994	Gasket-Float Bowl		
		----- Note -----	45	690977	Tappet-Valve	141	699722	Kit-Choke Shaft		
		790136 Crankshaft Used on Type No(s). 0025.	46	793663	Camshaft	142	699726	Nozzle-Carburetor (Standard)		
		790132 Crankshaft Used on Type No(s). 0016, 0026, 0110, 0111, 0115, 0120, 0412.	50	695241	Manifold-Intake	146	690979	Key-Timing		
20	★791892	Seal-Oil (PTO Side)	51A	★791677	Gasket-Intake	150	●690995	Gasket-Nozzle		
22	694966	Screw (Crankcase Cover/Sump)	53	690951	Stud (Carburetor)	163	★△691001	Gasket-Air Cleaner		
23	691053	Flywheel	54	699816	Screw (Intake Manifold)	165	693148	Nut (Ring Gear)		
24	222698s	Key-Flywheel	73	494439	Screen-Rotating	187	791881	Line-Fuel (Molded)		
			74	698425	Screw (Rotating Screen)	187A	791801	Line-Fuel (Molded)		
			75	691056	Washer (Flywheel)	187B	791766	Line-Fuel (15" Long)(Cut to Required Length)		
			95	690718	Screw (Throttle Valve)	187C	791744	Line-Fuel (Formed)(Cut to Required Length)		
						188	691108	Screw (Control Bracket)		

★ Included in Engine Gasket Set-Ref. No.358.

△ Included in Valve Gasket Set-Ref. No 1095.

● Included in Carburetor Overhaul Kit-Ref. No. 121.

Illustrations cover a range of engines. Parts shown without corresponding text may not be used on your specific engine.

44P700

REF. NO.	PART NO.	DESCRIPTION	REF. NO.	PART NO.	DESCRIPTION	REF. NO.	PART NO.	DESCRIPTION
192	690083	Adjuster-Rocker Arm	211	691019	Spring-Governed Idle	304	792301	Housing-Blower
209	793340	Spring-Governor (Orange) (Used After Code Date 06081400). Used on Type No(s). 0025, 0026, 0027, 0412.	212	695238	Link-Throttle	305	691005	Screw (Blower Housing)
		----- Note -----	213	691021	Bracket-Choke Control	305B	790690	Screw (Blower Housing to Intake Elbow)
		697674	216	691022	Link-Choke	309	499521	Motor-Starter
		Spring-Governor (Brown) (Used Before Code Date 06081500). Used on Type No(s). 0025, 0026, 0027, 0412.	219	793338	Gear-Governor (Used After Code Date 06081400).	310	691263	Screw (Starter Motor)
					----- Note -----	311	497608	Brush Set
					698231	332	691059	Nut (Flywheel)
					Gear-Governor (Used Before Code Date 0608100).	333	691060	Armature-Magneto
			220	690412	Washer (Governor Gear)	334	691061	Screw (Magneto Armature)
			222	698761	Bracket-Control	337	491055s	Plug-Spark
					----- Note -----			----- Note -----
					698757	358A	694012	Gasket Set-Engine
					Bracket-Control Used on Type No(s). 0884.	363	19203	Puller-Flywheel
			227	792492	Lever-Governor Control	383	19374s	Wrench-Spark Plug
			231	690718	Screw (Choke Valve)	385	691108	Screw (Fuel Pump)
			239	792028	Switch-Oil Pressure	387	808656	Pump-Fuel
					----- Note -----	404	690442	Washer (Governor Crank)
					697049	405A	697820	Screw (Backplate)
					Switch-Oil Pressure Used on Type No(s). 0115, 0119.	415	690283	Plug
			240	695666	Filter-Fuel	418	690999	Plate-Carburetor
			250	690957	Retainer-Breather	431	792297	Elbow-Intake
			252	690956	Collector-Oil	445	792105	Filter-Air Cleaner Cartridge
			265	691024	Clamp-Casing	447	691003	Screw (Air Guide Cover)
			267	691044	Screw (Casing Clamp) Used on Type No(s). 0025, 0027, 0113, 0115, 0116, 0117, 0119, 0120.	447A	691108	Screw (Air Guide Cover)
			267A	695134	Screw (Casing Clamp) Used on Type No(s). 0016, 0026, 0100, 0110, 0111, 0112, 0412, 0884.	467A	790697	Knob-Air Cleaner
						474B	696458	Alternator (10-16 Amp Regulated)
			276	695410	Washer-Sealing	474C	696459	Alternator (Dual Circuit)
			278	792651	Washer (Governor Control Lever)	501B	691185	Regulator (10-16 Amp Regulated)
			280	691526	Bracket-Rod			
			287	691108	Screw (Dipstick Tube)			
			300	626226	Muffler			

★ Included in Engine Gasket Set-Ref. No.358.

● Included in Carburetor Overhaul Kit-Ref. No. 121.

△ Included in Valve Gasket Set-Ref. No 1095.

Illustrations cover a range of engines. Parts shown without corresponding text may not be used on your specific engine.

44P700

REF. NO.	PART NO.	DESCRIPTION	REF. NO.	PART NO.	DESCRIPTION	REF. NO.	PART NO.	DESCRIPTION
505	691029	Nut (Governor Control Lever)	672	●690234	Gasket-Carburetor Plate	918	793147	Hose-Vacuum (Used After Code Date 06072700).
510	696541	Drive-Starter	691	★790574	Seal-Governor Shaft			----- Note -----
513	692024	Clutch-Drive	695	693149	Screw (Ring Gear)			694000 Hose-Vacuum (Used Before Code Date 06072800).
523	691036	Dipstick	697	690372	Screw (Drive Cap)	929	695239	Screw (Choke Control Bracket)
524	★691032	Seal-Dipstick Tube	703	691010	Clip	943	★690589	Seal-O Ring (Oil Pump Cover)
525	691037	Tube-Dipstick	718	690959	Pin-Locating	947	841546	Solenoid-Fuel
526B	691108	Screw (Regulator)	726	499612	Gear-Ring	965	499613	Cover-Oil Pump
544		Armature-Starter (Serviced By 499521 Starter Motor Only)	729	694123	Clip-Wire	967	792303	Filter-Pre Cleaner
552	690552	Bushing-Governor Crank	741	690980	Gear-Timing	968	792289	Cover-Air Cleaner
552A	690553	Bushing-Governor Crank	742	690328	Retainer-E Ring	975	791232	Bowl-Float
562	690311	Bolt (Governor Control Lever)	750	696999	Screw (Oil Pump Cover)	987	●691000	Seal-Throttle Shaft
573	790444	Plate-Back	783	695708	Gear-Pinion	1005	791236	Fan-Flywheel
578A	691208	Wire Assembly	788	691039	Bracket-Fuel Pump (Used Before Code Date 06072800).	1013	690954	Nipple-Oil Filter
579	691029	Nut (Starter Cable)	788	793145	Bracket-Fuel Pump (Used After Code Date 06072700).	1017	690770	Screen-Oil Pump
601	691038	Clamp-Hose	789A	790544	Harness-Wiring	1022	★Δ690971	Gasket-Rocker Cover
613	690341	Screw (Muffler)	789B	698330	Harness-Wiring	1023	793146	Cover-Rocker (Cylinder 1) (Used After Code Date 06072700).
613A	690297	Screw (Muffler)	789D	691220	Harness-Wiring			----- Note -----
615	698290	Retainer-Governor Shaft	789E	695050	Harness-Wiring			499599 Cover-Rocker (Cylinder 1) (Used Before Code Date 06072800).
616	691045	Crank-Governor	797	693167	Nut (Brush Retainer)	1023A	499600	Cover-Rocker (Cylinder 2)
617	697891	Seal-O Ring (Intake Manifold)	798	697890	Screw (Rocker Arm)	1024	499054	Pump-Oil (Used Before Code Date 07022600).
628	691108	Screw (Fuel Pump Bracket) (Used Before Code Date 06072800).	801	691283	Cap-Drive	1024A	794416	Pump-Oil (Used After Code Date 07022500).
633	●690998	Seal-Choke/Throttle Shaft	802	691286	Cap-End	1026	690981	Rod-Push (Steel)
635	66538s	Boot-Spark Plug	803		Housing-Starter (Serviced By 499521 Starter Motor Only)	1026A	690982	Rod-Push (Aluminum)
654	690958	Nut (Carburetor)	842	★691031	Seal-O Ring (Dipstick Tube)	1027	696854	Filter-Oil
668	Δ691215	Spacer	847	499602	Dipstick/Tube Assembly	1029	690972	Arm-Rocker
			851	493880s	Terminal-Spark Plug	1035	691042	Shaft-Pump (Used Before Code Date 07022600).
			865	691012	Cover-Air Guide (Cylinder 1)			Label-Emissions (Available from a Briggs and Stratton Authorized Service Dealer)
			865A	793205	Cover-Air Guide (Cylinder 2)			
			865B	792286	Cover-Air Guide (Valley)			
			868	★Δ690968	Seal-Valve			
			877B	399916	Wire/Connector-Alternator			
			877C	393456	Wire/Connector-Alternator			
			878C	398661	Harness-Alternator			
			883	★Δ690970	Gasket-Exhaust			
			914	691127	Screw (Rocker Cover)			

★ Included in Engine Gasket Set-Ref. No.358.

Δ Included in Valve Gasket Set-Ref. No 1095.

● Included in Carburetor Overhaul Kit-Ref. No. 121.

Illustrations cover a range of engines. Parts shown without corresponding text may not be used on your specific engine.

44P700

REF. NO.	PART NO.	DESCRIPTION	REF. NO.	PART NO.	DESCRIPTION	REF. NO.	PART NO.	DESCRIPTION
1040	791237	Plate-Trim	1090	691293	Retainer-Brush	1126	690991	Screw (Fuel Transfer Tube)
1051	691265	Ring-Retaining	1095	694013	Gasket Set-Valve	1127	695407	Screw (Float Bowl)
1054	280275	Tie-Cable	1100	791959	Pivot-Rocker Arm	1128	690990	Screw (Carburetor Nozzle)
1058	277103	Operator's Manual	1119	691183	Screw (Alternator)	1330	273521	Repair Manual
1059	698516	Kit-Screw/Washer	1123	●841653	Seal-O Ring (Solenoid Retainer)			
1070	691058	Screw (Flywheel Fan)	1124	●690988	Seal-O Ring (Fuel Transfer Tube)			

★ Included in Engine Gasket Set-Ref. No.358.

● Included in Carburetor Overhaul Kit-Ref. No. 121.

△ Included in Valve Gasket Set-Ref. No 1095.

Illustrations cover a range of engines. Parts shown without corresponding text may not be used on your specific engine.