



Illustrated Parts List

Model Series

121300

TYPE NUMBERS
0014 through 0571.

TABLE OF CONTENTS

Air Cleaner	6
Blower Housing	7
Camshaft	2
Carburetor	4
Controls	5
Crankcase Cover	2
Crankshaft	2
Cylinder	2
Cylinder Head	3
Electric Starter	5
Exhaust System	6
Flywheel	7
Fuel Supply	4
Gear Reduction	6
Governor Spring	5
Ignition	5
Kits/Gaskets - Carburetor	4
Kits/Gaskets - Engine	2
Kits/Gaskets - Valve	3
Lubrication	2
Piston Group	2
Rewind Starter	7

PRINTED IN U.S.A.



COPYRIGHT by BRIGGS & STRATTON CORPORATION
All rights reserved. No part of this material may be reproduced or transmitted,
in any form or by any means, electronic or mechanical, including photocopying,
recording or by any information storage and retrieval system, without permission
in writing from Briggs & Stratton Corporation.

121300

1319 WARNING LABEL



REQUIRED when replacing parts with warning labels affixed.

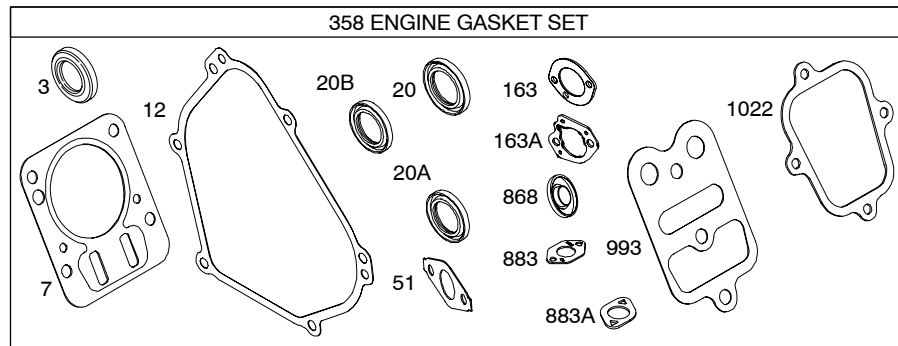
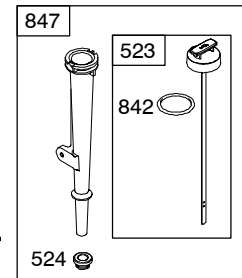
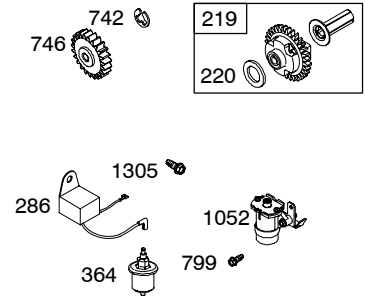
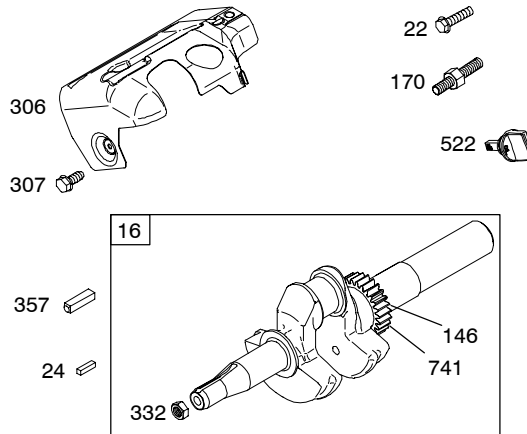
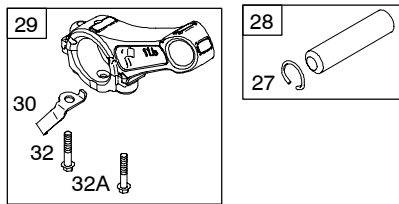
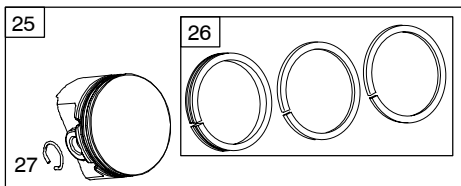
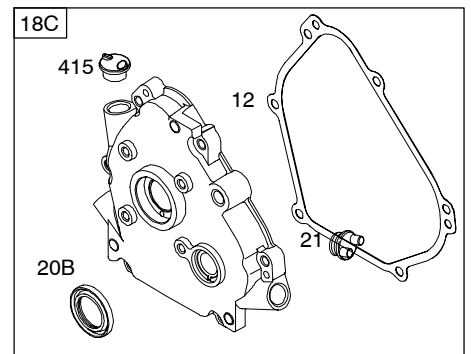
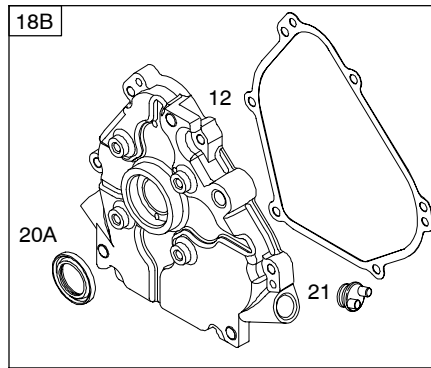
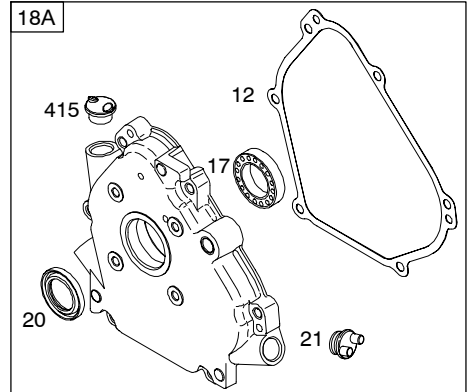
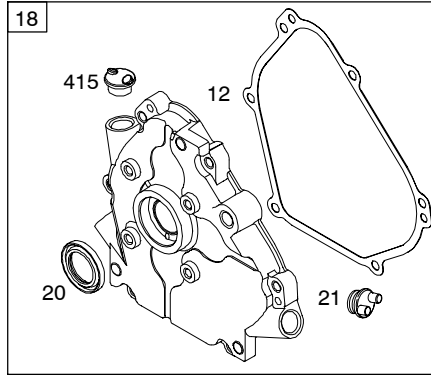
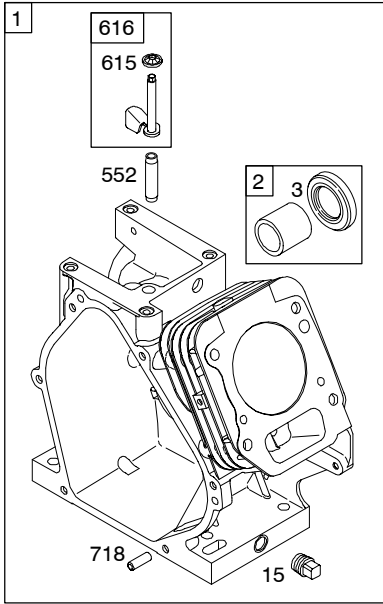
1058 OPERATOR'S MANUAL



1330 REPAIR MANUAL



1019 LABEL KIT

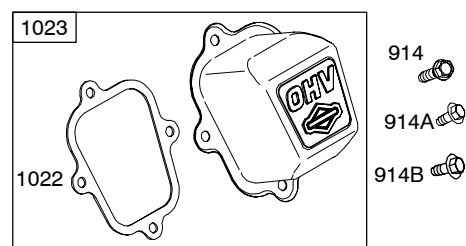
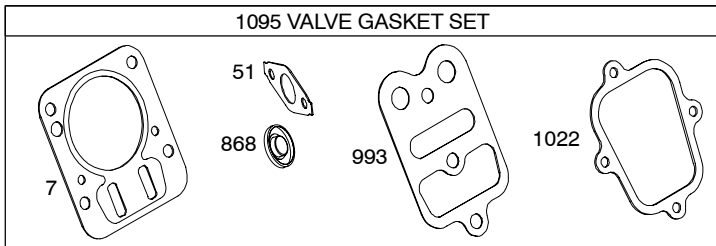
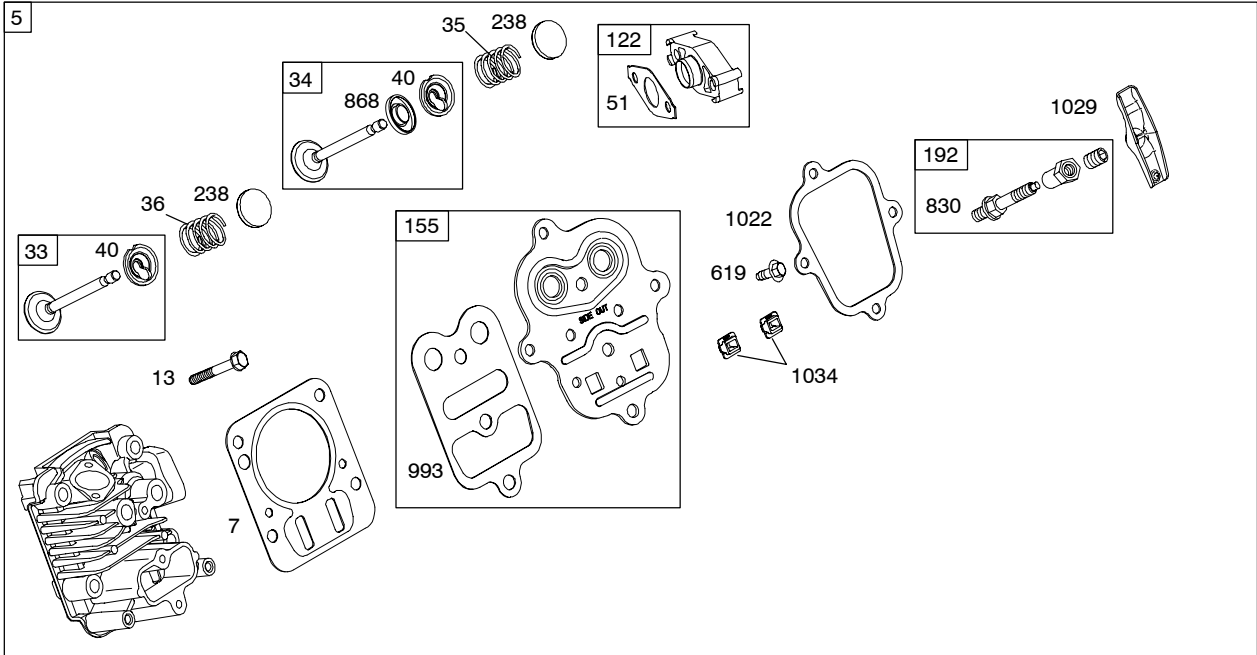


Illustrations cover a range of engines. Parts shown without corresponding text may not be used on your specific engine.

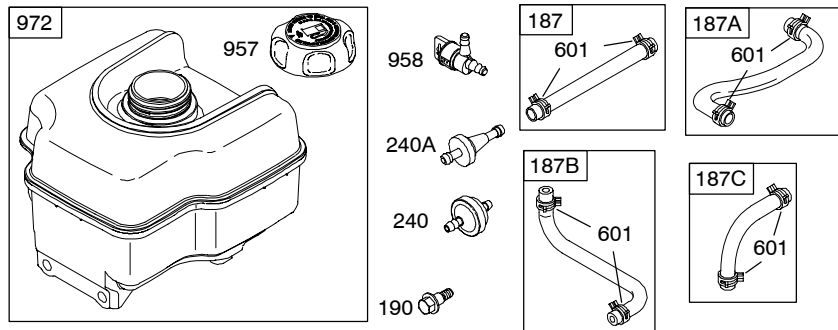
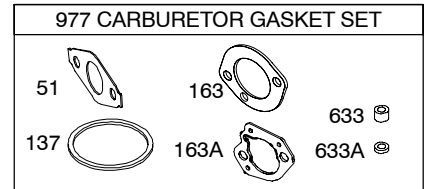
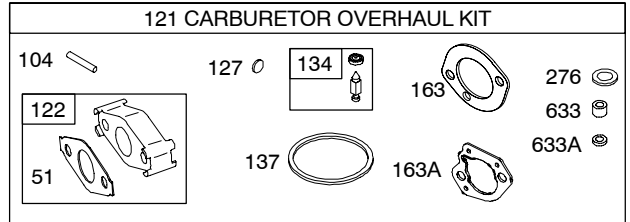
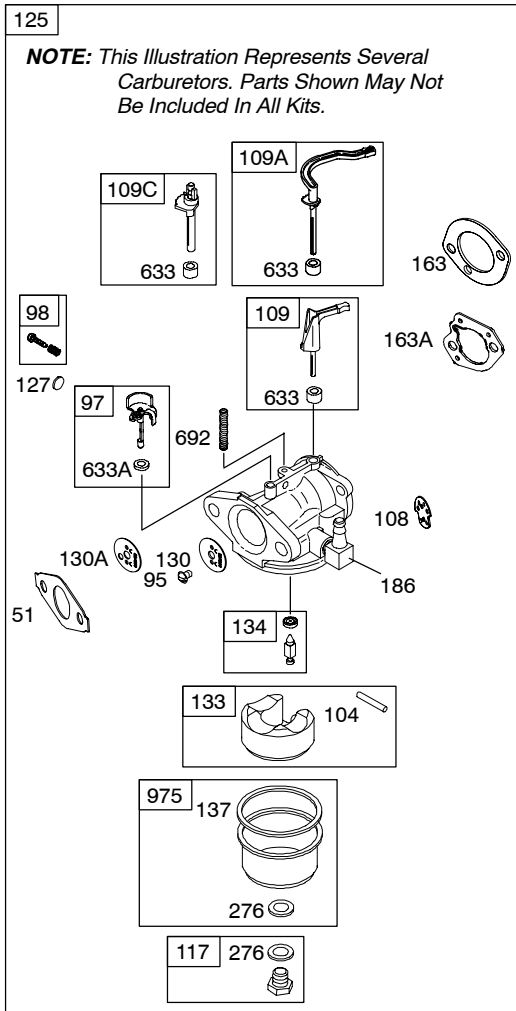
5687-2

Assemblies include all parts shown in frames.

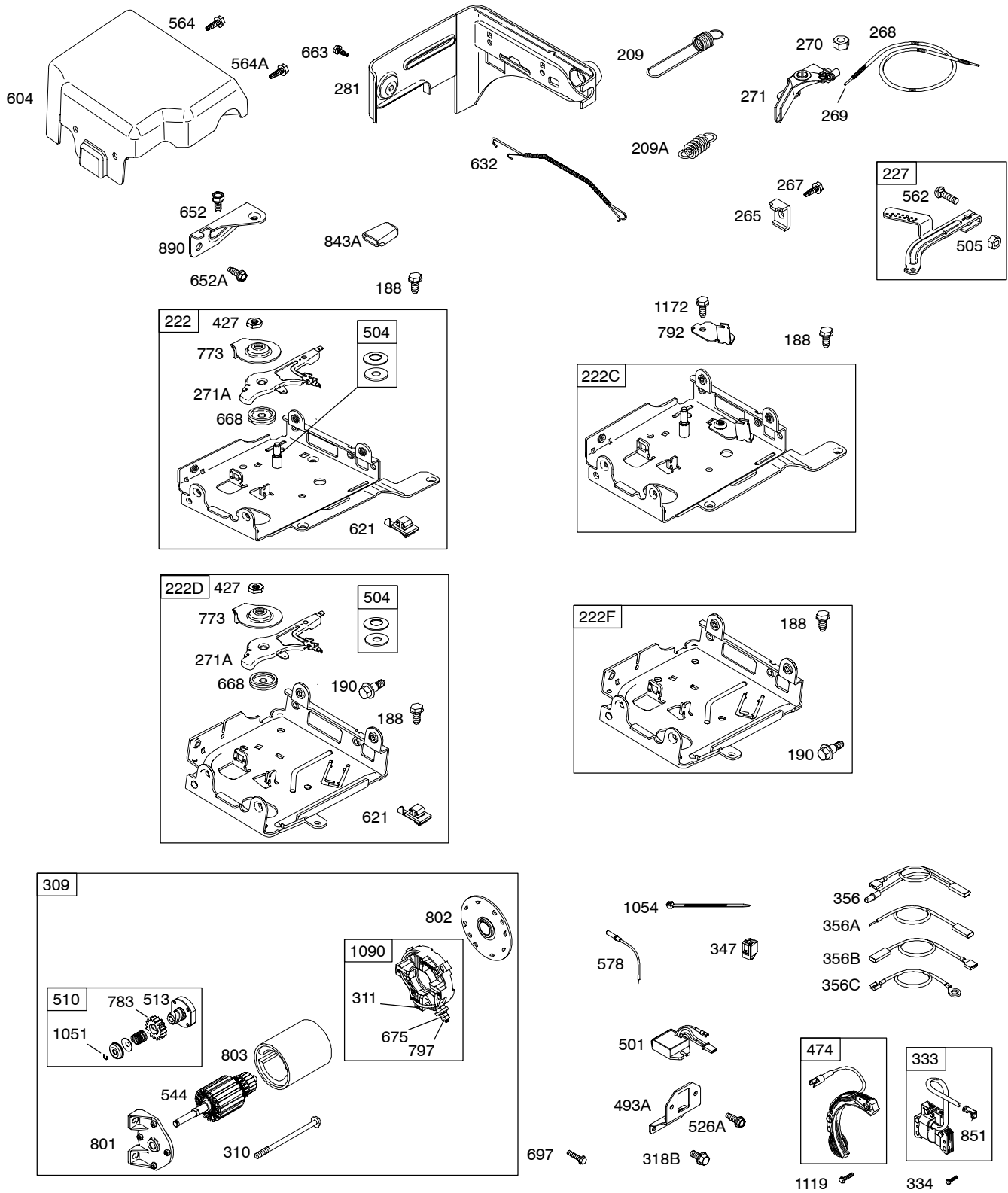
10/17/2007



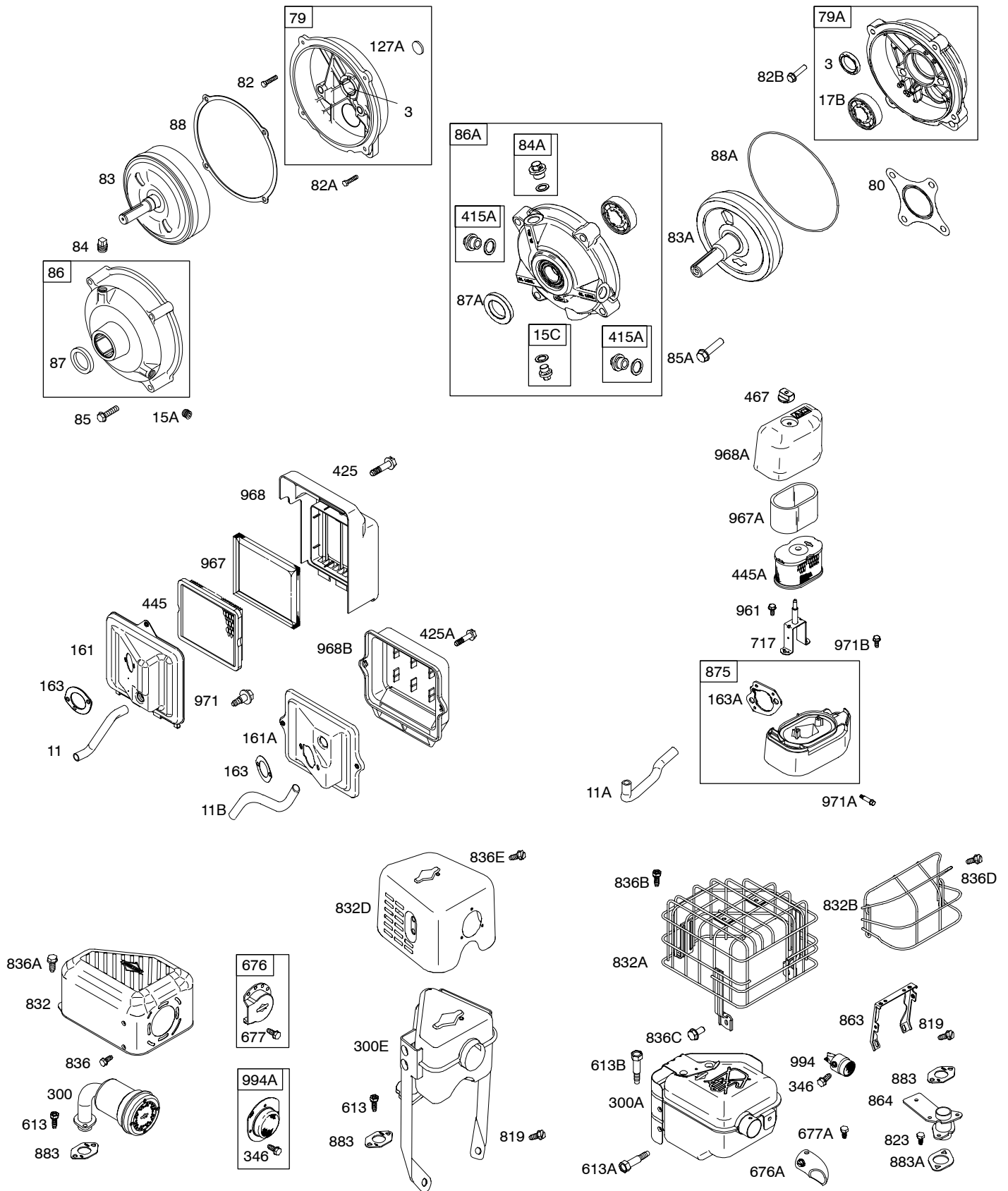
Illustrations cover a range of engines. Parts shown without corresponding text may not be used on your specific engine.



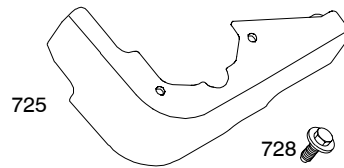
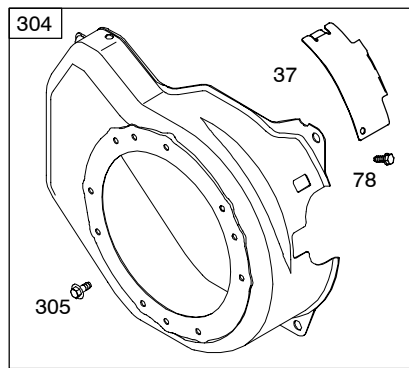
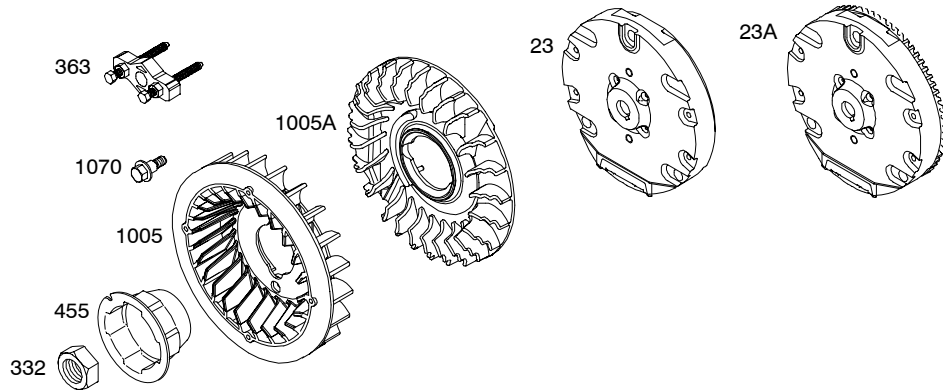
Illustrations cover a range of engines. Parts shown without corresponding text may not be used on your specific engine.



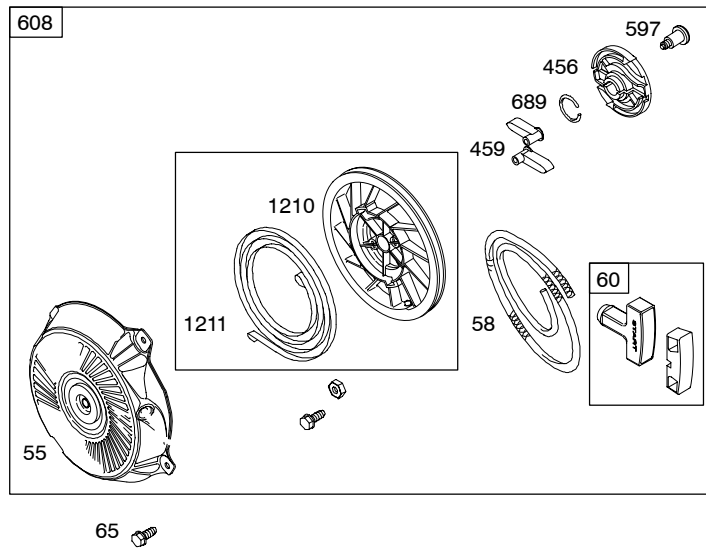
Illustrations cover a range of engines. Parts shown without corresponding text may not be used on your specific engine.



Illustrations cover a range of engines. Parts shown without corresponding text may not be used on your specific engine.



1036 EMISSIONS LABEL



Illustrations cover a range of engines. Parts shown without corresponding text may not be used on your specific engine.

121300

REF. NO.	PART NO.	DESCRIPTION	REF. NO.	PART NO.	DESCRIPTION	REF. NO.	PART NO.	DESCRIPTION
1	699505	Cylinder Assembly ----- Note ----- 699490 Cylinder Assembly Used on Type No(s). 0111, 0112, 0113, 0132, 0323.	16	699445	Crankshaft ----- Note ----- 792883 Crankshaft (Used After Code Date 06051600). Used on Type No(s). 0014, 0049, 0130, 0163, 0191, 0218, 0227, 0293, 0294, 0295, 0298. 699444 Crankshaft (Used Before Code Date 06051600). Used on Type No(s). 0014, 0049, 0163, 0191, 0218, 0227. 699447 Crankshaft (Used Before Code Date 06051700). Used on Type No(s). 0026, 0122, 0125, 0126, 0140, 0175, 0176, 0177, 0209, 0210, 0212, 0213, 0224, 0271, 0526. 699452 Crankshaft Used on Type No(s). 0028, 0114, 0145, 0280, 0322, 0355, 0528. 699449 Crankshaft Used on Type No(s). 0144, 0247, 0269, 0326, 0401, 0522. 699451 Crankshaft Used on Type No(s). 0060, 0071, 0109, 0110, 0135, 0136, 0157, 0170, 0171, 0178, 0183, 0192, 0198, 0214, 0260, 0560, 0571.			699442 Crankshaft Used on Type No(s). 0033, 0119, 0133, 0156, 0184, 0193, 0220, 0233, 0240, 0241, 0533. 699441 Crankshaft Used on Type No(s). 0111, 0164, 0168, 0187, 0235, 0243, 0535. 699443 Crankshaft Used on Type No(s). 0036, 0050, 0112, 0113, 0116, 0120, 0128, 0129, 0131, 0132, 0147, 0148, 0165, 0182, 0186, 0190, 0196, 0197, 0199, 0200, 0203, 0222, 0225, 0236, 0242, 0250, 0251, 0265, 0270, 0278, 0282, 0283, 0290, 0292, 0296, 0297, 0356, 0357, 0536, 0550. 696259 Crankshaft Used on Type No(s). 0323.
2	399269	Kit-Bushing/Seal (Magneto Side)						
3	*299819S	Seal-Oil (Magneto Side)						
5	699486	Head-Cylinder						
7	*Ø698210	Gasket-Cylinder Head						
11	692600	Tube-Breather (Flat Panel Air Cleaner)						
11A	693647	Tube-Breather (High Mount Air Cleaner)						
11B	790632	Tube-Breather (Ultra Low Air Cleaner)						
12	*699485	Gasket-Crankcase						
13	699482	Screw (Cylinder Head)						
15	691686	Plug-Oil Drain (Square Head)						
15A	691682	Plug-Oil Drain (Flush)						
15C	792750	Plug-Oil Drain				17	692517	Bearing-Ball
						17B	99158	Bearing-Ball

★ Included in Engine Gasket Set-Ref. No.358.

● Included in Carburetor Overhaul Kit-Ref. No. 121.

◆ Included in Carburetor Gasket Set-Ref. No. 977.

Ø Included in Valve Gasket Set-Ref. No 1095.

Illustrations cover a range of engines. Parts shown without corresponding text may not be used on your specific engine.

REF. NO.	PART NO.	DESCRIPTION	REF. NO.	PART NO.	DESCRIPTION	REF. NO.	PART NO.	DESCRIPTION
18	699804	Cover-Crankcase ----- Note ----- 699696 Cover-Crankcase Used on Type No(s). 0115, 0161, 0194, 0216, 0281, 0299, 0353, 0520. 699804 Cover-Crankcase (Used After Code Date 07070200). Used on Type No(s). 0014, 0049, 0218, 0293.	20	*692550	Seal-Oil (PTO Side)	33	499642	Valve-Exhaust
			20A	*694171	Seal-Oil (PTO Side)	34	499641	Valve-Intake
			20B	*691952	Seal-Oil (PTO Side)	35	691304	Spring-Valve (Intake)
			21	281658S	Cap-Oil Fill	36	691304	Spring-Valve (Exhaust)
			22	699478	Screw (Crankcase Cover/ Sump)	37	699661	Guard-Flywheel
			23	699488	Flywheel	40	692194	Retainer-Valve
			23A	699514	Flywheel ----- Note ----- 790328 Flywheel Used on Type No(s). 0222.	45	690977	Tappet-Valve
						46	693404	Camshaft
18A	699672	Cover-Crankcase Used on Type No(s). 0033, 0035, 0036, 0050, 0111, 0112, 0113, 0116, 0119, 0120, 0128, 0129, 0131, 0132, 0133, 0135, 0147, 0148, 0156, 0164, 0165, 0168, 0182, 0184, 0187, 0190, 0192, 0193, 0196, 0197, 0198, 0199, 0200, 0203, 0220, 0222, 0225, 0233, 0235, 0236, 0240, 0241, 0242, 0243, 0250, 0251, 0265, 0270, 0278, 0282, 0283, 0290, 0292, 0296, 0297, 0323, 0355, 0356, 0357, 0533, 0535, 0536, 0550.	24	222698S	Key-Flywheel	46A	694831	Camshaft Used on Type No(s). 0070. ----- Note ----- 695285 Camshaft Used on Type No(s). 0071, 0109, 0571. 696813 Camshaft Used on Type No(s). 0111, 0112, 0113, 0132.
			25	792004	Piston Assembly (Standard) ----- Note ----- 791325 Piston Assembly (.020" Oversize)	51★◆◇	692555	Gasket-Intake
			26	791969	Ring Set (Standard) (Used After Code Date 05030800). ----- Note ----- 499631 Ring Set (Standard) (Used Before Code Date 05030900). 791324 Ring Set (.020" Oversize) (Used After Code Date 05030800). 692786 Ring Set (.020" Oversize) (Used Before Code Date 05030900).	55	691422	Housing-Rewind Starter (Rewind Starter Parts Used With 3MM Diameter Starter Rope) ----- Note ----- 791848 Housing- Rewind Starter (Rewind Starter Parts Used With 5MM Diameter Starter Rope)
18B	699761	Cover-Crankcase Used on Type No(s). 0130, 0163, 0191, 0295, 0298. ----- Note ----- 699761 Cover- Crankcase (Used Before Code Date 07070300). Used on Type No(s). 0014, 0049, 0218, 0293.	27	691866	Lock-Piston Pin	58	693389	Rope-Starter (Rewind Starter Parts Used With 3MM Diameter Starter Rope) ----- Note ----- 66574 Rope-Starter (Rewind Starter Parts Used With 5MM Diameter Starter Rope)
			28	499423	Pin-Piston			
			29	690124	Rod-Connecting			
			30	791584	Dipper-Connecting Rod			
			32	691664	Screw (Connecting Rod)			
18C	699677	Cover-Crankcase Used on Type No(s). 0070, 0071, 0109, 0571.	32A	695759	Screw (Connecting Rod)			

★ Included in Engine Gasket Set-Ref. No.358.

● Included in Carburetor Overhaul Kit-Ref. No. 121.

◆ Included in Carburetor Gasket Set-Ref. No. 977.

◇ Included in Valve Gasket Set-Ref. No 1095.

Illustrations cover a range of engines. Parts shown without corresponding text may not be used on your specific engine.

121300

REF. NO.	PART NO.	DESCRIPTION	REF. NO.	PART NO.	DESCRIPTION	REF. NO.	PART NO.	DESCRIPTION
60	490652	Grip–Starter Rope (2 Piece)	87	691582	Seal–Gear Reduction (Used Before Code Date 06051700).	118	498976	Jet–Main (High Altitude) ----- Note -----
65	699228	Screw (Rewind Starter)	87A	792752	Seal–Gear Reduction (Used After Code Date 06051600).			694176 Jet–Main (High Altitude) Used on Type No(s). 0116, 0130, 0131, 0136, 0144, 0145, 0161, 0178, 0182, 0194, 0199, 0214, 0216, 0222, 0290, 0292, 0297, 0298, 0353.
78	699205	Screw (Flywheel Guard)	88	691600	Gasket–Gear Reduction Cover			695042 Jet–Main (High Altitude) Used on Type No(s). 0026, 0033, 0122, 0125, 0140, 0175, 0184, 0193, 0212, 0220, 0233, 0241, 0271, 0526, 0533.
79	694511	Case–Gear Reduction (Used Before Code Date 06051700).	88A	792760	Gasket–Gear Reduction Cover			467466 Jet–Main (High Altitude) Used on Type No(s). 0119, 0126, 0133, 0156, 0176, 0177, 0209, 0210, 0213, 0224.
79A	792746	Case–Gear Reduction (Used After Code Date 06051600).	95	691636	Screw (Throttle Valve)			
80	792755	Gasket–Gear Case	97	690024	Shaft–Throttle			
82	690369	Screw (Gear Reduction Case) (Used Before Code Date 06051700).	98	398185	Kit–Idle Speed (Carburetor)	121	792006	Kit–Carburetor Overhaul
82A	790197	Screw (Gear Reduction Case) (Used Before Code Date 06051700).	104	●691242	Pin–Float Hinge	122	★●693749	Spacer–Carburetor
82B	792753	Screw (Gear Reduction Case) (Used After Code Date 06051600).	108	692567	Valve–Choke			
83	690374	Shaft–Auxiliary Drive (Used Before Code Date 06051700).	109	690023	Shaft–Choke			
83A	792756	Shaft–Auxiliary Drive (Used After Code Date 06051600).	109A	693628	Shaft–Choke			
84	691121	Plug–Breather	109C	790624	Shaft–Choke			
84A	792759	Plug–Breather	117	690048	Jet–Main (Standard) ----- Note -----			
85	692551	Screw (Gear Cover to Gear Reduction) (Used Before Code Date 06051700).			698344 Jet–Main (Standard) Used on Type No(s). 0116, 0130, 0131, 0136, 0144, 0145, 0161, 0178, 0182, 0194, 0199, 0214, 0216, 0222, 0290, 0292, 0297, 0298, 0353.			
85A	690711	Screw (Gear Cover to Gear Reduction) (Used After Code Date 06051600).			691428 Jet–Main (Standard) Used on Type No(s). 0026, 0033, 0122, 0125, 0140, 0175, 0184, 0193, 0212, 0220, 0233, 0241, 0271, 0526, 0533.			
86	690608	Cover–Gear (Used Before Code Date 06051700).			498975 Jet–Main (Standard) Used on Type No(s). 0119, 0126, 0133, 0156, 0176, 0177, 0209, 0210, 0213, 0224.			
86A	792748	Cover–Gear (Used After Code Date 06051600).						

★ Included in Engine Gasket Set–Ref. No.358.

● Included in Carburetor Overhaul Kit–Ref. No. 121.

◆ Included in Carburetor Gasket Set–Ref. No. 977.

⊘ Included in Valve Gasket Set–Ref. No.1095.

Illustrations cover a range of engines. Parts shown without corresponding text may not be used on your specific engine.

REF. NO.	PART NO.	DESCRIPTION	REF. NO.	PART NO.	DESCRIPTION	REF. NO.	PART NO.	DESCRIPTION
125	698474	Carburetor ----- Note ----- 698475 Carburetor Used on Type No(s). 0116, 0130, 0131, 0136, 0144, 0145, 0161, 0178, 0182, 0194, 0199, 0214, 0216, 0222, 0290, 0292, 0297, 0298, 0353. 698860 Carburetor Used on Type No(s). 0119, 0126, 0133, 0156, 0176, 0177, 0209, 0210, 0213, 0224. 791991 Carburetor Used on Type No(s). 0026, 0033, 0122, 0125, 0140, 0175, 0184, 0193, 0212, 0220, 0233, 0241, 0271, 0526, 0533.	161	699207	Base-Air Cleaner (Flat Panel Air Cleaner)	222	699589	Bracket-Control (Used Before Code Date 06051500).
			161A	790631	Base-Air Cleaner (Ultra Low Air Cleaner)	222C	699590	Bracket-Control (Used Before Code Date 06051500). ----- Note -----
				163 ★◆ 696024	Gasket-Air Cleaner			699493 Bracket- Control (Used Before Code Date 06051500). Used on Type No(s). 0125, 0140, 0175, 0176, 0209, 0220, 0224.
				163A ★◆ 792870	Gasket-Air Cleaner	222D	793107	Bracket-Control (Used After Code Date 06051400).
			170	699818	Stud (Crankcase Cover)	222F	793100	Bracket-Control (Used After Code Date 06051400).
			186	692317	Connector-Hose	227	692573	Lever-Governor Control
			187	791766	Line-Fuel (Cut to Required Length)	238	691300	Valve-Cap
			187A	791867	Line-Fuel (Molded)	240	298090S	Filter-Fuel ----- Note -----
			187B	791874	Line-Fuel (Molded)			394358S Filter-Fuel Used on Type No(s). 0132, 0201.
			187C	791866	Line-Fuel (Molded)	240A	694485	Filter-Fuel
			188	699479	Screw (Control Bracket)	265	691024	Clamp-Casing
			190	699220	Screw (Fuel Tank)	267	699492	Screw (Casing Clamp)
			192	694543	Adjustor-Rocker Arm	268	691025	Casing-Control Wire (Cut to Required Length)
			209	692571	Spring-Governor ----- Note -----	269	691026	Wire-Control (Cut to Required Length)
					693206 Spring- Governor Used on Type No(s). 0023, 0026, 0033, 0060, 0070, 0111, 0122, 0125, 0140, 0157, 0168, 0170, 0171, 0175, 0178, 0184, 0187, 0193, 0199, 0220, 0223, 0225, 0241, 0243, 0282, 0523, 0526, 0533, 0535, 0560, 0571.	270	691027	Nut (Control Wire Casing)
					693710 Spring- Governor Used on Type No(s). 0113, 0131, 0182.	271	691028	Lever-Control
			209A	691278	Spring-Governor	271A	694256	Lever-Control
			219	693578	Gear-Governor	276	◆ 271716	Washer-Sealing
			220	691724	Washer (Governor Gear)			
127	◆ 691739	Plug-Welch ----- Note ----- 694468 Plug-Welch Used on Type No(s). 0126, 0210, 0213, 0224.						
127A	691585	Plug-Welch						
130	691181	Valve-Throttle						
130A	691203	Valve-Throttle Used on Type No(s). 0033, 0126, 0140, 0175, 0184, 0210, 0213, 0220, 0224.						
133	398187	Float-Carburetor						
134	◆ 398188	Kit-Needle/Seat						
137	◆ 693981	Gasket-Float Bowl						
146	690979	Key-Timing						
155	★ 698214	Plate-Cylinder Head						

★ Included in Engine Gasket Set-Ref. No.358.

● Included in Carburetor Overhaul Kit-Ref. No. 121.

◆ Included in Carburetor Gasket Set-Ref. No. 977.

⊘ Included in Valve Gasket Set-Ref. No 1095.

Illustrations cover a range of engines. Parts shown without corresponding text may not be used on your specific engine.

121300

REF. NO.	PART NO.	DESCRIPTION	REF. NO.	PART NO.	DESCRIPTION	REF. NO.	PART NO.	DESCRIPTION
281	793122	Panel–Control	357	691483	Key–Drive Pulley	505	691251	Nut
286	698611	Module–Oil Sensor			Used on Type No(s). 0136, 0214.			(Governor Control Lever)
287	699629	Screw	358	791797	Gasket Set–Engine	510	499308	Drive–Starter
		(Dipstick Tube)	363	19203	Puller–Flywheel	513	692024	Drive–Clutch
300	693593	Muffler	364	695693	Terminal–Oil Plug	522	697689	Plug–Dipstick/Fill
300A	699231	Muffler	365	699484	Screw	523	693618	Dipstick
300E	791595	Muffler			(Carburetor)			----- Note -----
304	699598	Housing–Blower	383	19374S	Wrench–Spark Plug			790546 Dipstick
305	699480	Screw	415	693463	Plug			Used on Type No(s). 0326, 0401.
		(Blower Housing)	415A	792749	Plug			
306	693610	Shield–Cylinder	425	699208	Screw	524	281370S	Seal–Dipstick Tube
307	699483	Screw			(Air Cleaner Cover)	526A	690326	Screw
		(Cylinder Shield)	425A	699492	Screw			(Regulator)
309	694504	Motor–Starter			(Air Cleaner Cover)	544	692966	Armature–Starter
310	690323	Screw	427	694255	Nut	552	692346	Bushing–Governor Crank
		(Starter Motor)			(Control Bracket)			
311	497608	Brush Set	445	491588S	Filter–Air Cleaner Cartridge	562	691119	Bolt
318B	790537	Screw			(Flat Panel)			(Governor Control Lever)
		(Mounting Bracket)	445A	697029	Filter–Air Cleaner Cartridge	564	699491	Screw
332	792723	Nut			(High Mount)			(Control Cover)
		(Flywheel)	455	692591	Cup–Flywheel	564A	699492	Screw
333	695711	Armature–Magneto	456	692299	Plate–Pawl Friction			(Control Cover)
334	699477	Screw	459	281505S	Pawl–Ratchet			----- Note -----
		(Magneto Armature)	467	691668	Knob–Air Cleaner			699206 Screw
337	491055S	Plug–Spark	474	694457	Alternator			(Control Cover)
		(Resistor)			----- Note -----			Used on Type No(s). 0125, 0140, 0176, 0209.
		----- Note -----			793640 Alternator	578	692306	Wire Assembly
		691043 Plug–Spark			Used on Type No(s). 0050, 0121, 0180, 0196, 0247, 0250, 0356, 0550.	597	691696	Screw
		(EMS)			790320 Alternator			(Pawl Friction Plate)
346	690661	Screw			Used on Type No(s). 0222.	601	791850	Clamp–Hose
		(Spark Arrester)			695730 Alternator	604	697326	Cover–Control
347	697854	Switch–Rocker			Used on Type No(s). 0299.	608	693394	Starter–Rewind
		----- Note -----	493A	699048	Bracket–Mounting			(Rewind Starter Parts Used With 3MM Diameter Starter Rope)
		698338 Switch–Rocker	501	790325	Regulator			----- Note -----
		Used on Type No(s). 0026, 0028, 0033, 0120, 0122, 0129, 0147, 0175, 0178, 0183, 0193, 0227, 0233, 0294, 0526, 0528, 0533.	504	694254	Washer Set–Friction			791670 Starter– Rewind
356	693651	Wire–Stop						(Rewind Starter Parts Used With 5MM Diameter Starter Rope)
356A	692390	Wire–Stop						
356B	692602	Wire–Stop						
356C	695630	Wire–Stop						

★ Included in Engine Gasket Set–Ref. No.358.

● Included in Carburetor Overhaul Kit–Ref. No. 121.

◆ Included in Carburetor Gasket Set–Ref. No. 977.

⊘ Included in Valve Gasket Set–Ref. No. 1095.

Illustrations cover a range of engines. Parts shown without corresponding text may not be used on your specific engine.

REF. NO.	PART NO.	DESCRIPTION	REF. NO.	PART NO.	DESCRIPTION	REF. NO.	PART NO.	DESCRIPTION
613	699209	Screw (Muffler)	717	693462	Bracket-Air Cleaner	843A	695588	Sleeve-Lever
613A	699480	Screw (Muffler)	718	690959	Pin-Locating	847	693617	Dipstick/Tube Assembly
613B	697812	Screw (Muffler)	725	792874	Shield-Heat			----- Note -----
615	692576	Retainer-Governor Shaft	727	698039	Cover-Starter Drive			790545 Dipstick/Tube Assembly
616	692547	Crank-Governor	728	699632	Screw (Heat Shield)			Used on Type No(s). 0326, 0401.
619	699480	Screw (Cylinder Head Plate)	732	699200	Screw (Starter Drive Cover)	851	493880S	Terminal-Spark Plug
621	692310	Switch-Stop	741	695087	Gear-Timing	863	699229	Bracket-Muffler
632	693408	Spring/Link-Mechanical Governor	742	692564	Retainer-E Ring	864	699232	Adapter-Muffler
633	◆693867	Seal-Choke/Throttle Shaft	746	790278	Gear-Idler	868	★∅692044	Seal-Valve
633A	◆691321	Seal-Choke/Throttle Shaft	773	694258	Retainer	875	697030	Base-Air Cleaner (High Mount)
635	692076	Boot-Spark Plug	783	692353	Gear-Pinion	883	★691893	Gasket-Exhaust
635A	692927	Boot-Spark Plug	792	694259	Bracket-Fixed Speed	883A	★692237	Gasket-Exhaust (Adapter Mounting)
652	699755	Screw (Support Bracket)	797	691029	Nut (Brush Retainer)	890	790203	Bracket-Support
652A	699480	Screw (Support Bracket)	799	699202	Screw (Oil Sensor)	914	699480	Screw (Rocker Cover) (Bottom)
663	699206	Screw (Control Panel)	801	694482	Cap-Drive	914A	692557	Screw (Rocker Cover) (Top)
668	694257	Spacer	802	691286	Cap-End	914B	697551	Screw (Rocker Cover) (Center)
675	691261	Washer (Brush Retainer)	803	693757	Housing-Starter	918	499214	Hose-Vacuum (Cut to Required Length) Used on Type No(s). 0140.
676	393757	Deflector-Muffler	819	699233	Screw (Muffler Bracket)	951	790630	Lever-Choke
676A	697816	Deflector-Muffler	823	699209	Screw (Muffler Adapter)	957	694261	Cap-Fuel Tank
677	690661	Screw (Muffler Deflector)	830	694544	Stud-Rocker Arm	958	698180	Valve-Fuel Shut Off
677A	699776	Screw (Muffler Deflector)	832	693583	Guard-Muffler	961	698304	Screw (Air Cleaner Bracket)
689	691855	Spring-Friction	832A	697818	Guard-Muffler	967	493537	Filter-Pre Cleaner (Flat Panel)
692	690572	Spring-Detent	832B	696516	Guard-Muffler	967A	273356	Filter-Pre Cleaner (High Mount)
697	790537	Screw (Starter Motor) (Used After Code Date 04110800).	832D	791600	Guard-Muffler			
		----- Note -----	836	699203	Screw (Muffler Guard)			
		699773 Screw (Starter Motor) (Used Before Code Date 04110900).	836A	699632	Screw (Muffler Guard)			
			836B	699209	Screw (Muffler Guard)			
			836C	699234	Screw (Muffler Guard)			
			836D	699204	Screw (Muffler Guard)			
			836E	699755	Screw (Muffler Guard)			
			842	691031	Seal-O Ring (Dipstick Tube)			

★ Included in Engine Gasket Set-Ref. No.358.

● Included in Carburetor Overhaul Kit-Ref. No. 121.

◆ Included in Carburetor Gasket Set-Ref. No. 977.

∅ Included in Valve Gasket Set-Ref. No 1095.

Illustrations cover a range of engines. Parts shown without corresponding text may not be used on your specific engine.

121300

REF. NO.	PART NO.	DESCRIPTION	REF. NO.	PART NO.	DESCRIPTION	REF. NO.	PART NO.	DESCRIPTION
968	692584	Cover–Air Cleaner (Flat Panel Air Cleaner)	1051	691265	Ring–Retaining	1211	498144	Pulley/Spring Assembly
968A	693460	Cover–Air Cleaner (High Mount)	1052	790141	Sensor–Oil			(Spring)
968B	791082	Cover–Air Cleaner (Ultra Low Air Cleaner)	1054	280275	Cable–Tie			(Rewind Starter Parts Used With 3MM Diameter Starter Rope)
971	690370	Screw (Air Cleaner Base)	1058	277040	Operator’s Manual			----- Note -----
971A	690349	Screw (Air Cleaner Base)	1070	699201	Screw (Flywheel Fan)			791849 Pulley/Spring Assembly
971B	699629	Screw (Air Cleaner Base)	1090	691293	Retainer–Brush			(Spring)
972	694260	Tank–Fuel	1095	698215	Gasket Set–Valve			(Rewind Starter Parts Used With 5MM Diameter Starter Rope)
975	493640	Bowl–Float	1119	699772	Screw (Alternator)			
977	697001	Gasket Set–Carburetor	1172	699230	Screw (Fixed Speed Bracket)			
993	Ø694088	Gasket–Cylinder Head Plate	1210	498144	Pulley/Spring Assembly (Pulley)	1305	699691	Screw (Oil Sensor Module)
994	790153	Arrester–Spark			(Rewind Starter Parts Used With 3MM Diameter Starter Rope)	1319	794467	Label–Warning
994A	399541	Arrester–Spark			----- Note -----	1330	272147	Repair Manual
1005	692592	Fan–Flywheel			791849 Pulley/Spring Assembly (Pulley)			
1005A	794273	Fan–Flywheel			(Rewind Starter Parts Used With 5MM Diameter Starter Rope)			
1019	694852	Kit–Label						
1022	★Ø691890	Gasket–Rocker Cover						
1023	499924	Cover–Rocker Arm						
1026	790287	Rod–Push						
1029	691230	Arm–Rocker						
1034	691343	Guide–Push Rod						
1036		Label–Emissions (Available From An Authorized Briggs & Stratton Sevice Dealer)						

★ Included in Engine Gasket Set–Ref. No.358.

● Included in Carburetor Overhaul Kit–Ref. No. 121.

◆ Included in Carburetor Gasket Set–Ref. No. 977.

Ø Included in Valve Gasket Set–Ref. No 1095.

Illustrations cover a range of engines. Parts shown without corresponding text may not be used on your specific engine.