



# REPAIR PARTS

# AUGER HOUSING / IMPELLER ASSEMBLY

SNOW THROWER - MODEL NO. **5224STE** (96193001401), PRODUCT NO. 961 93 00-14

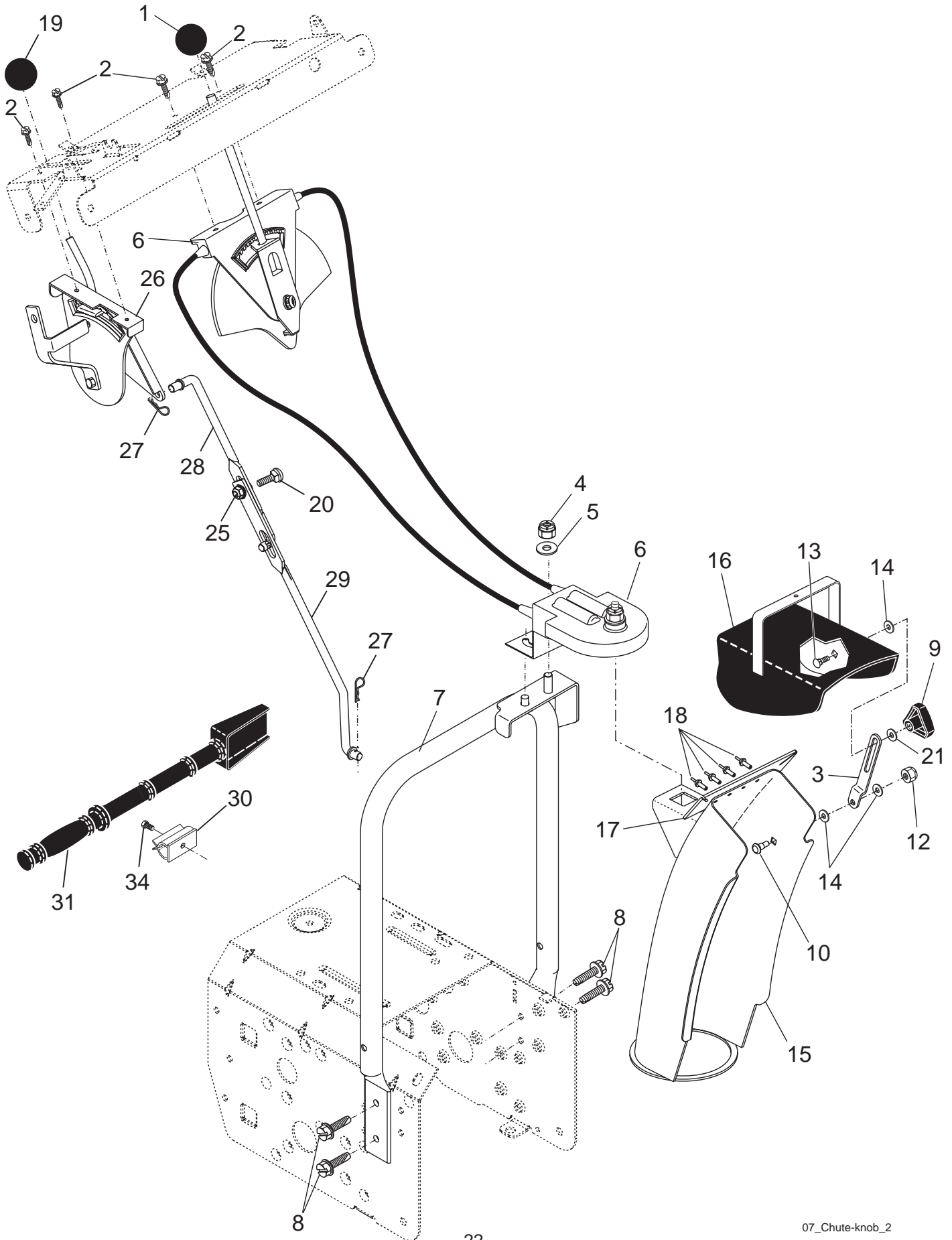
KEY PART NO.	PART NO.	DESCRIPTION	KEY PART NO.	PART NO.	DESCRIPTION
4	532 19 10-79	Pulley, Impeller	31	532 40 78-66	Auger Assembly, LH
5	532 18 89-09	Bearing Assembly, Flange	32	532 40 77-68	O-Ring
6	<b>532 15 53-77</b>	Nut, Hex Flange 5/16-18	33	532 40 77-69	Bushing, Flange 3/4
7	532 18 03-55	Bolt, Flat Head, Carriage 5/16-18 x 5/8	34	532 17 46-81	Washer, Thrust 3/4
8	872 27 05-05	Bolt, Carriage 5/16-1 8 x 5/8	35	532 17 46-84	Bearing, Thrust 3/4
9	<b>532 16 31-83</b>	Bolt	36	<b>532 40 77-57</b>	Shaft, Impeller
10	<b>532 40 78-80</b>	Housing, Auger	37	532 17 46-83	Washer, Thrust 5/8
11	532 40 78-25	Bar, Scraper	38	532 40 77-58	Bushing, Flange 5/8
12	532 18 40-95	Bracket, Corner Discharge	39	532 40 77-67	Screw, Hex Head 5/16-18 x 3/4
13	532 17 53-22	Base, Discharge Chute	40	532 40 77-60	Plug, Case
14	<b>810 04 05-00</b>	Washer, Lock 5/16	41	532 40 77-61	Housing, Gearbox, RH
15	819 11 15-07	Washer, Flat	42	532 40 77-70	Seal, Oil
16	<b>874 94 05-16</b>	Cap Screw HXHD 5/16-18 x 1	43	532 40 77-62	Bushing, Flange, 1"
17	532 40 56-37	Grease Fitting	44	532 18 92-82	Key, Square 1/4 x 1/4 x 7/8
18	532 17 95-82	Screw, Hex Head 5/16 x 1	45	532 40 77-63	Gear, Worm
19	873 80 04-00	Nut, Hex Lock 1/4-20	46	532 40 77-64	Shaft, Auger
20	<b>532 15 53-77</b>	Nut, Hex Lock 5/16-18	47	532 40 77-65	Housing, Gearbox, LH
22	532 40 78-34	Skid Plate, Heavy Duty	48	532 18 41-05	Impeller Assembly
25	872 27 05-06	Bolt, Shoulder 1/4-20	49	874 78 04-26	Screw, Hex Head 1/4-20 x 1-5/8
26	532 17 46-58	Bearing, Auger	50	532 40 77-66	Gasket, Gearbox
27	532 17 46-97	Washer, Thrust, 1"	51	532 18 42-05	Pin, Roll 3/16 x 1-1/8
28	532 19 86-36	Bolt, Shear	55	532 19 86-38	Spacer
30	532 40 78-50	Auger Assembly, RH	56	532 18 06-84	Multi-Wrench
			57	532 19 67-10	Gearbox Assembly
			58	532 41 19-39	Plug Bearing Hole

**NOTE:** All component dimensions given in U.S. inches. 1 inch = 25.4 mm  
**IMPORTANT:** Use only Original Equipment Manufacturer (O.E.M.) replacement parts.  
 Failure to do so could be hazardous, damage your snow thrower and void your warranty.

REPAIR PARTS

CONTROL PANEL / DISCHARGE CHUTE

SNOW THROWER - MODEL NO. 5224STE (96193001401), PRODUCT NO. 961 93 00-14



# REPAIR PARTS

# CONTROL PANEL / DISCHARGE CHUTE

SNOW THROWER - MODEL NO. **5224STE** (96193001401), PRODUCT NO. 961 93 00-14

KEY NO.	PART NO.	DESCRIPTION
1	<b>532 41 42-81</b>	Knob, Lever
2	817 50 10-10	Screw #10-24 x 5/8
3	532 18 41-14	Strap, Slotted
4	873 80 06-00	Nut, Lock 3/8-16
5	819 13 13-16	Washer, Flat 3/8
6	532 40 49-74	Control Assembly, Chute Rotater
7	532 40 76-43	Support, Pivot
8	532 15 00-78	Screw, Hex Head 5/16-18 x 3/4
9	532 19 19-38	Knob, Deflector
10	532 18 56-00	Bolt, Shoulder
12	532 19 17-30	Nut, Lock 1/4-20
13	872 25 05-05	Bolt, Carriage 5/16-18
14	532 17 92-46	Washer, Nylon
15	532 40 76-50	Chute Assembly
16	532 18 41-13	Deflector Assembly
17	532 17 91-45	Seal, Deflector
18	532 12 84-15	Rivet, Blind
19	<b>532 41 42-80</b>	Knob, Speed Control Lever
20	<b>872 27 05-06</b>	Bolt, Carriage 5/16-18 x 3/4
21	532 15 54-15	Washer, Flat 5/16
25	<b>532 15 53-77</b>	Nut, Lock 5/16-18
26	532 19 84-74	Lever Assembly, Speed Control
27	532 16 96-75	Retainer, Hairpin
28	532 18 04-45	Rod, Upper, Speed Control
29	532 18 77-16	Rod, Lower, Speed Control
30	<b>532 40 54-00</b>	Clip, Clean-Out Tool
31	<b>532 19 21-99</b>	Tool, Clean-Out
34	<b>532 19 41-89</b>	Screw, HI-LO Thread #13-16 x 5/8

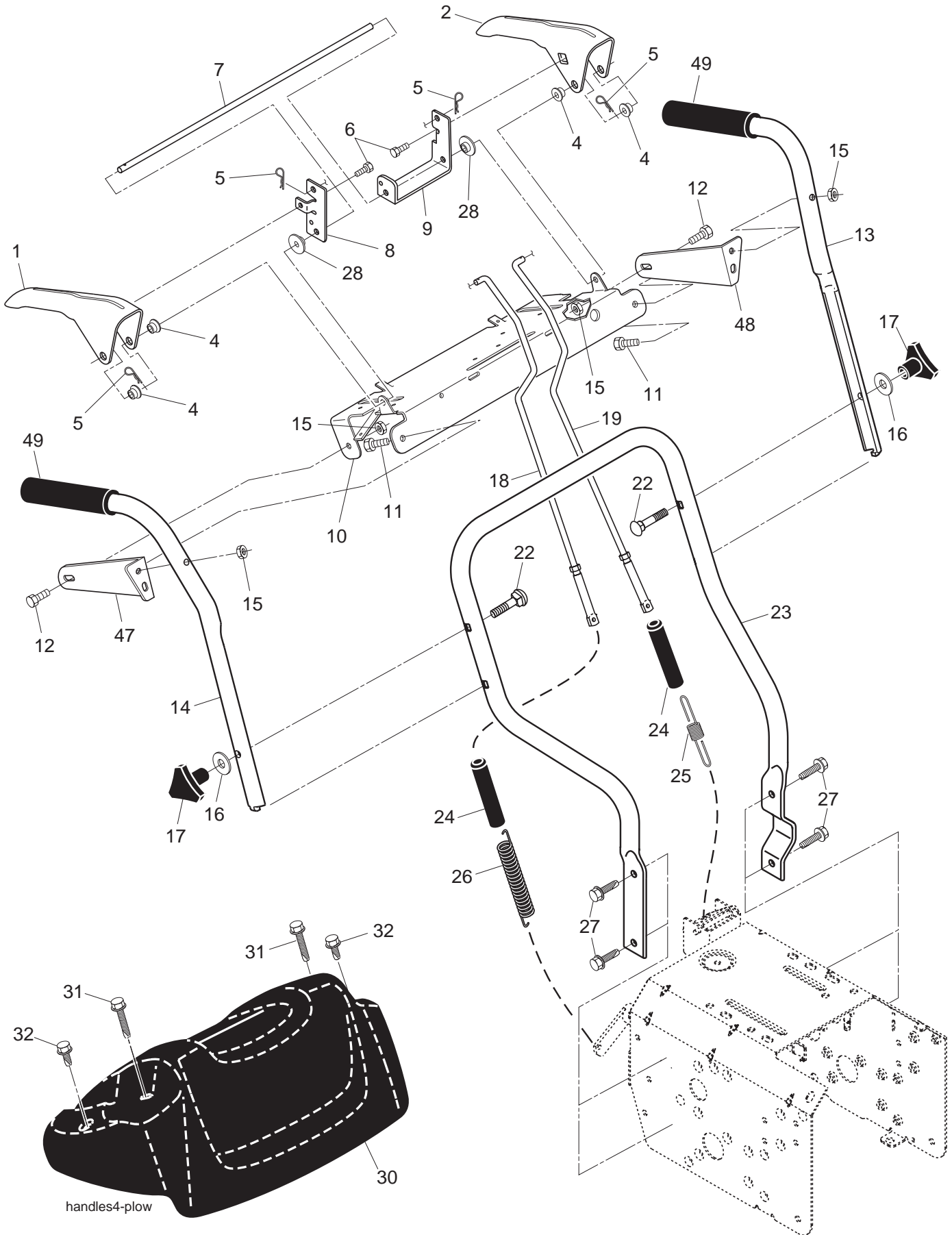
**NOTE:** All component dimensions given in U.S. inches. 1 inch = 25.4 mm

**IMPORTANT:** Use only Original Equipment Manufacturer (O.E.M.) replacement parts. Failure to do so could be hazardous, damage your snow thrower and void your warranty.

REPAIR PARTS

HANDLES

SNOW THROWER - MODEL NO. 5224STE (96193001401), PRODUCT NO. 961 93 00-14



handles4-plow

SNOW THROWER - MODEL NO. **5224STE** (96193001401), PRODUCT NO. 961 93 00-14

KEY NO.	PART NO.	DESCRIPTION
1	532 40 76-49	Lever, Auger Control, RH
2	532 40 76-48	Lever, Traction Drive Control, LH
4	532 17 88-88	Bushing, Flange
5	532 16 96-75	Retainer, Hairpin
6	817 06 04-08	Screw, Hex Head
7	532 17 86-52	Rod, Interlock
8	532 19 95-76	Arm, Impeller Rod
9	532 19 95-75	Arm, Traction Rod
10	532 19 95-31	Panel, Control
11	874 78 05-24	Screw, Hex Head 5/16-18 x 1-1/2
12	874 78 05-12	Screw, Hex Head 5/16-18 x 1-3/4
13	<b>532 41 52-36</b>	Handle Tube, LH
14	<b>532 41 52-37</b>	Handle Tube, RH
15	532 75 11-53	Nut, Lock 5/16-18
16	819 13 13-16	Washer, Flat 3/8
17	532 17 88-99	Knob, Handle
18	532 18 04-80	Rod, Auger Control
19	532 18 04-81	Rod, Traction Control
22	872 12 06-18	Bolt, Carriage 3/8-16 x 2-1/4
23	532 18 40-87	Handle Tube, Lower
24	532 18 04-47	Sleeve, Spring
25	532 18 09-26	Spring, Traction Drive
26	532 17 86-69	Spring, Auger Control
27	817 00 06-16	Screw, Hex Head 3/8-16 x 1
28	<b>532 41 26-80</b>	Spacer Control Lever
30	532 18 33-52	Console, Panel
31	532 17 52-62	Screw, Hex Head, Tapping #10-24 x 1-1/4
32	532 18 44-71	Screw, Hex Head, Tapping #10-24 x 1/2
47	532 19 69-43	Mounting Bracket, Handle, RH
48	532 19 69-44	Mounting Bracket, Handle, LH
49	532 19 95-13	Grip, Handle

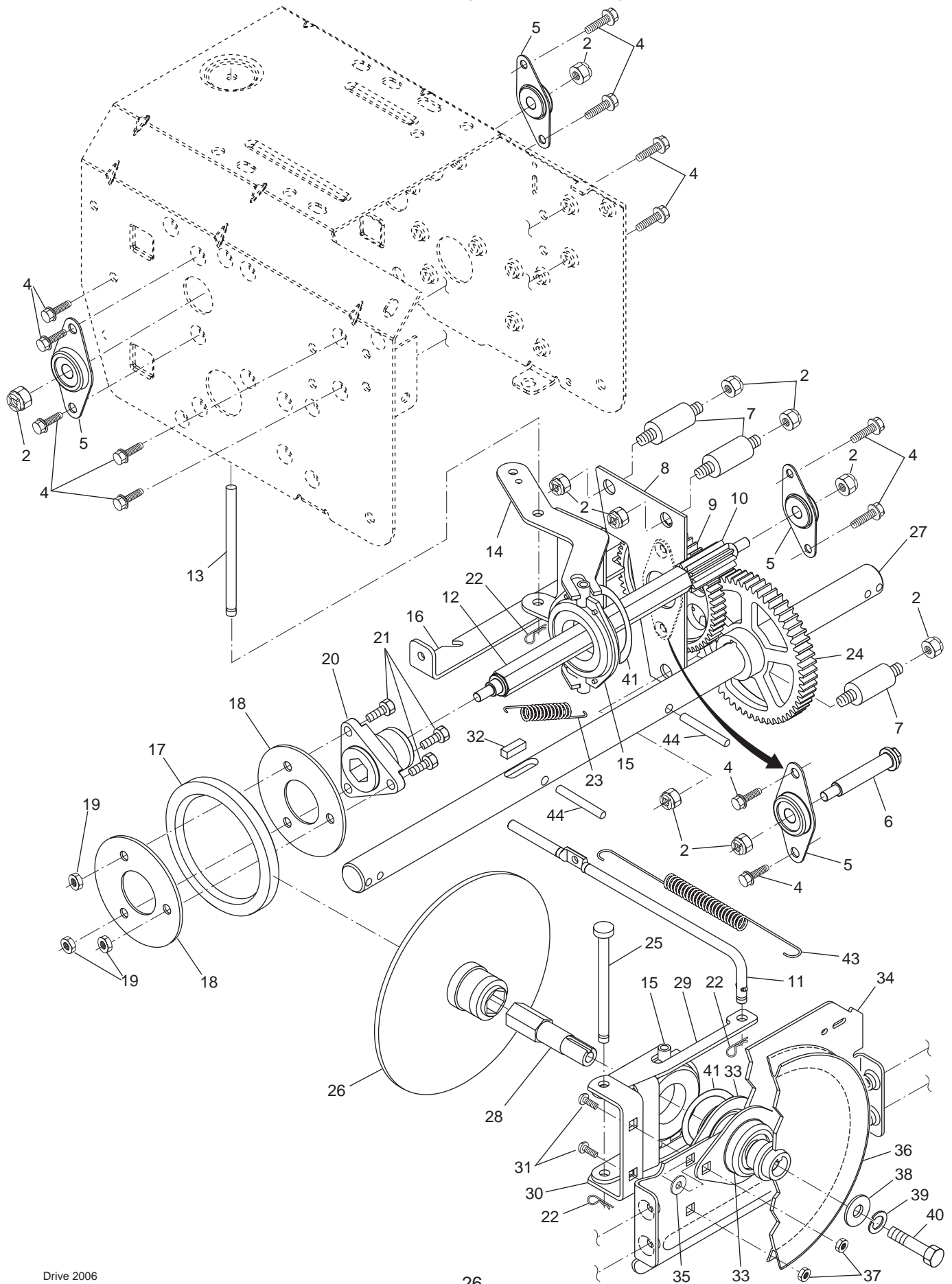
**NOTE:** All component dimensions given in U.S. inches. 1 inch = 25.4 mm

**IMPORTANT:** Use only Original Equipment Manufacturer (O.E.M.) replacement parts. Failure to do so could be hazardous, damage your snow thrower and void your warranty.

# REPAIR PARTS

# DRIVE

SNOW THROWER - MODEL NO. 5224STE (96193001401), PRODUCT NO. 961 93 00-14



SNOW THROWER - MODEL NO. **5224STE** (96193001401), PRODUCT NO. 961 93 00-14

KEY NO.	PART NO.	DESCRIPTION
2	532 75 11-53	Nut, Lock 5/16-18
4	<b>817 49 05-08</b>	Screw, Hex Head 5/16-18 x 1/2
5	532 18 00-17	Bearing, Flange
6	532 18 01-34	Shaft, Auxiliary
7	532 17 92-70	Spacer, Plate
8	532 19 29-07	Plate, Auxiliary
9	532 18 00-82	Gear, Intermediate (12/58)
10	532 18 00-65	Gear, Pinion
11	532 18 77-14	Rod, Clutch
12	532 18 00-66	Shaft, Long, Hex
13	532 17 88-07	Pin, Pivot
14	532 18 40-80	Lever, Shifter / Wheel
15	532 17 53-44	Trunnion Bearing Assembly
16	532 18 78-57	Bracket, Pivot, Shift
17	532 17 98-31	Ring, Rubber Wheel
18	532 19 95-09	Plate, Rubber Wheel
19	873 93 05-00	Nut, Lock 5/16-18
20	532 17 86-13	Hub, Rubber Wheel
21	874 76 05-14	Screw, Hex Head 5/16-18 x 7/8
22	532 08 51-79	Retainer, Hairpin
23	532 18 01-35	Spring, Bias
24	532 18 00-81	Gear, Axle (58 Teeth)
25	532 17 86-95	Pin, Pivot Lever
26	532 19 77-63	Plate Assembly, Drive
27	532 17 93-52	Shaft, Axle
28	532 19 77-64	Shaft, Short Hex
29	532 18 40-77	Lever, Shifter Plate
30	532 18 40-76	Bracket, Shifter Support
31	872 27 05-05	Bolt, Carriage 5/16-18 x 5/8
32	532 18 92-82	Key, Square 1/4 x 1/4 x 7/8
33	532 18 89-09	Bearing, Flange
34	532 18 40-75	Plate, Drive Mounting
35	532 18 25-04	Spacer, Bearing
36	532 19 10-80	Pulley, Traction Drive
37	<b>532 15 53-77</b>	Nut, Lock 5/16-18
38	819 11 15-07	Washer, Flat
39	<b>810 04 05-00</b>	Washer, Lock 5/16
40	874 95 05-12	Screw, Hex Head 5/16-18 x 3/4
41	812 00 00-12	Ring, Retaining
43	532 17 90-95	Spring, Return
44	532 18 42-06	Pin, Roll

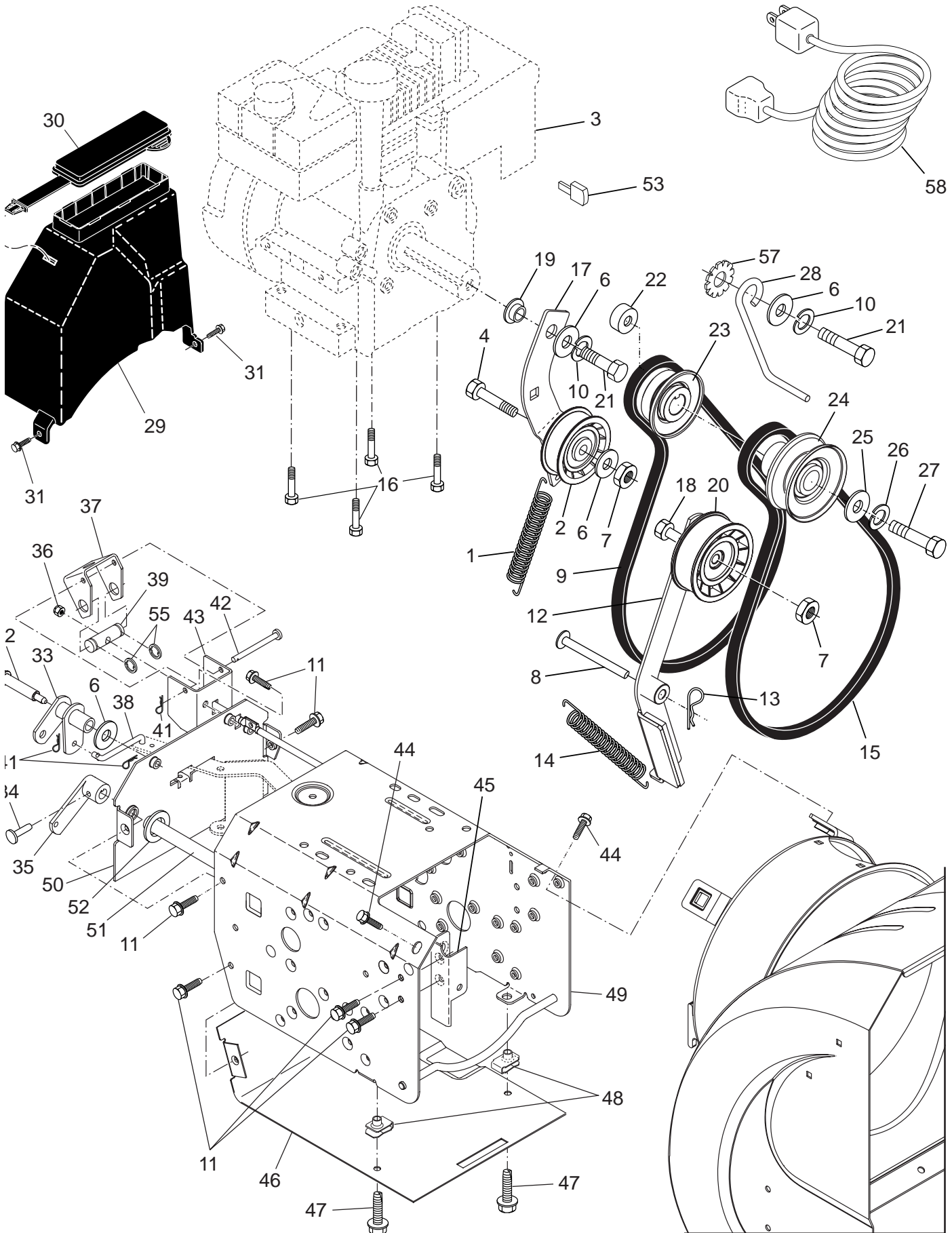
**NOTE:** All component dimensions given in U.S. inches. 1 inch = 25.4 mm

**IMPORTANT:** Use only Original Equipment Manufacturer (O.E.M.) replacement parts. Failure to do so could be hazardous, damage your snow thrower and void your warranty.

# REPAIR PARTS

# CHASSIS / ENGINE / PULLEYS

SNOW THROWER - MODEL NO. 5224STE (96193001401), PRODUCT NO. 961 93 00-14



# REPAIR PARTS

# CHASSIS / ENGINE / PULLEYS

**SNOW THROWER - MODEL NO. 5224STE (96193001401), PRODUCT NO. 961 93 00-14**

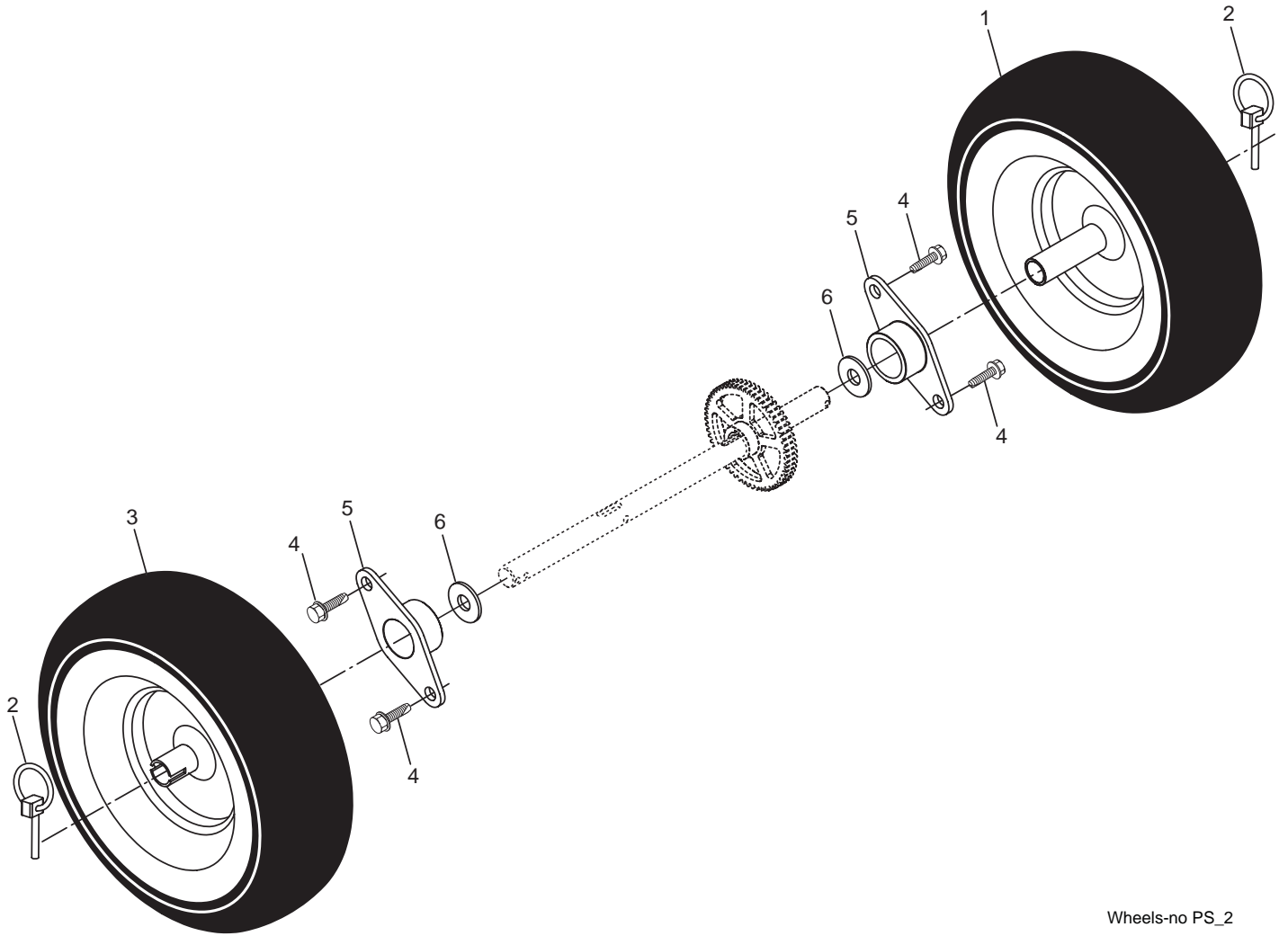
KEY PART NO.	NO.	DESCRIPTION	KEY PART NO.	NO.	DESCRIPTION
1	532 18 10-44	Spring, Traction Idler	28	532 15 54-52	Guide, Belt
2	<b>532 18 05-22</b>	Pulley, Idler (2-1/4)	29	532 19 22-13	Belt Cover Assembly (Includes Toolbox Cover)
3	-----	Engine, Tecumseh, Model Number LH195SP (For engine service and replacement parts, call Tecumseh Products at 1-800-558-5402)	30	532 17 88-30	Cover, Toolbox
4	874 78 05-20	Screw, Hex Head 5/16-18 x 1-1/4	31	<b>817 49 04-08</b>	Screw, Hex Head 1/4-20 x 1/2
6	532 05 92-89	Washer, Flat	32	532 17 92-56	Bolt, Shoulder 5/16-18
7	532 16 67-85	Nut, Jam, Lock 5/16-18	33	532 18 78-53	Bellcrank Shifter
8	532 17 53-30	Pin, Idler Pivot	34	532 19 85-80	Clevis Pin
9	532 17 90-92	V-Belt, Traction Drive	35	532 40 54-85	Arm, Auger Control
10	<b>810 04 05-00</b>	Washer, Lock 5/16	36	873 80 05-00	Nut, Lock 5/16-18
11	<b>817 49 05-08</b>	Screw, Hex Head 5/16-18 x 1/2	37	532 18 40-86	Bellcrank
12	<b>532 41 04-20</b>	Impeller Arm / Pad Assembly	38	532 18 71-01	Link, Speed Control
13	532 08 51-79	Retainer, Hairpin	39	532 19 21-10	Trunnion, Traction
14	532 17 88-28	Spring, Brake	41	532 70 02-79	Hairpin, Cotter 3/32 x 1/2
15	<b>532 40 80-10</b>	V-Belt, Impeller Drive	42	532 17 90-65	Pin, Bellcrank
16	532 15 04-06	Screw, Hex Head 3/8-16 x 1-1/4	43	532 18 40-85	Bracket, Bellcrank
17	<b>532 18 48-04</b>	Arm, Idler	44	817 00 06-16	Screw, Hex Head
18	874 78 05-24	Screw, Hex Head 5/16-18 x 1-1/2	45	532 18 40-74	Pivot Bracket, Impeller Idler Arm
19	<b>532 17 53-31</b>	Bushing, Idler Pivot	46	532 18 40-84	Pan, Frame Bottom
20	532 18 05-23	Pulley, Idler (2-3/4)	47	871 02 05-12	Screw, Hex Head 5/16-18 x 3/4
21	874 61 05-16	Screw, Hex Head 5/16-18 x 1	48	532 18 11-56	Nut, Speed 5/16-18
22	<b>532 40 94-75</b>	Spacer, Engine Pulley	49	<b>532 40 76-42</b>	Frame Assembly
23	532 18 04-78	Pulley, Engine, Traction Drive	50	532 18 80-02	Plate, Frame End
24	532 17 91-57	Pulley, Engine, Impeller Drive	51	532 40 61-09	Shaft, Auger Control
25	532 40 00-26	Washer, Flat 3/8	52	532 05 70-79	Washer, Hardened
26	532 85 02-63	Washer, Lock, Helical 3/8	53	532 03 50-62	Key, Safety
27	532 85 10-84	Screw, Hex Head 3/8-24 x 1-3/8	55	812 00 00-02	Ring, Crescent
			57	811 05 05-00	Washer, Lock, External Tooth 5/16
			58	532 19 85-63	Power Cord

**NOTE:** All component dimensions given in U.S. inches. 1 inch = 25.4 mm  
**IMPORTANT:** Use only Original Equipment Manufacturer (O.E.M.) replacement parts.  
 Failure to do so could be hazardous, damage your snow thrower and void your warranty.

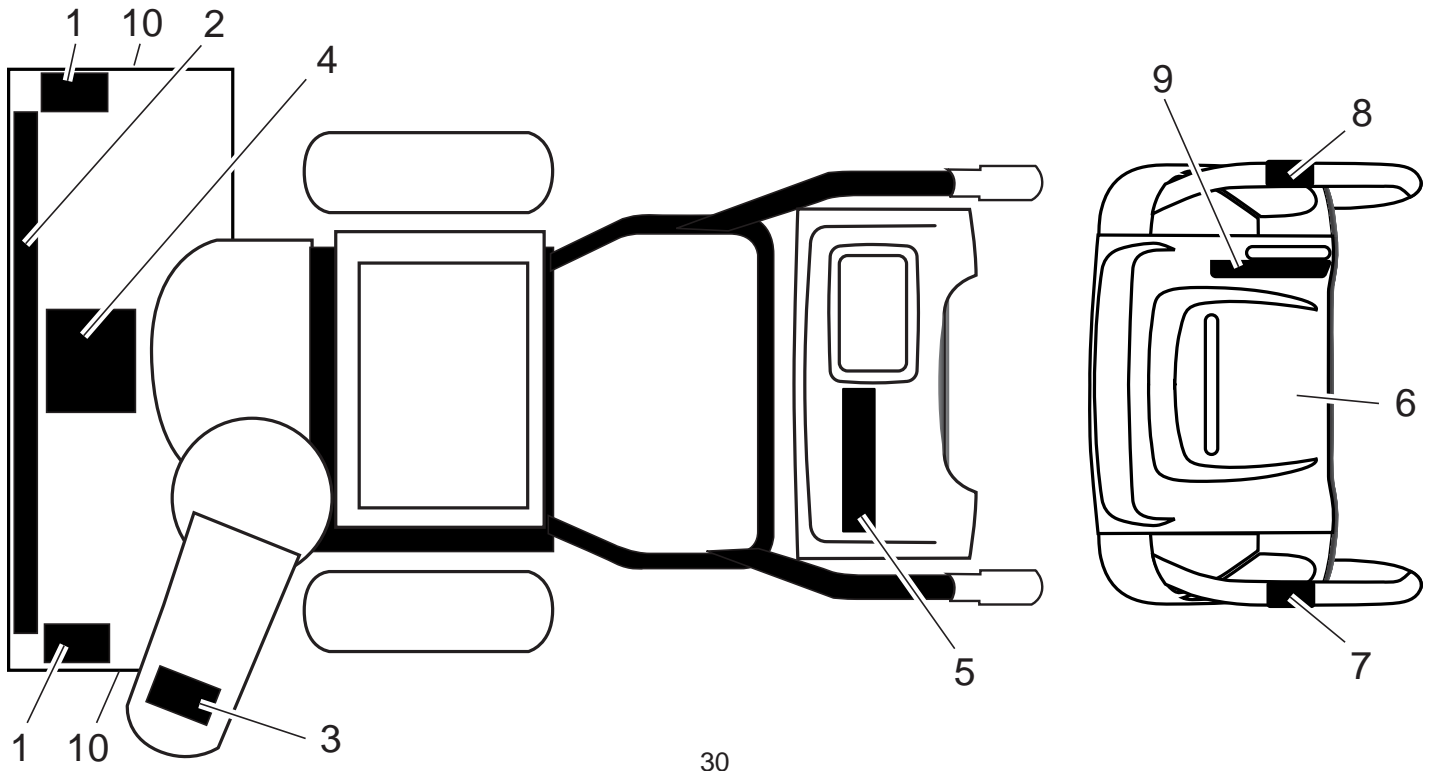
REPAIR PARTS

WHEELS / DECALS

SNOW THROWER - MODEL NO. 5224STE (96193001401), PRODUCT NO. 961 93 00-14



Wheels-no PS\_2



**WHEELS**

KEY PART NO.	PART NO.	DESCRIPTION
1	<b>532 41 54-00</b>	Wheel Assembly, 13", LH
2	532 15 54-43	Pin, Klik 1/4
3	<b>532 41 54-01</b>	Wheel Assembly, 13", RH
4	532 14 63-15	Screw, Hex Head 5/16-18 x 5/8
5	532 17 98-30	Bearing, Axle
6	532 17 46-97	Washer, Thrust (1")

**DECALS**

KEY PART NO.	PART NO.	DESCRIPTION
1	<b>532 18 10-37</b>	Decal, Danger
2	<b>532 19 21-56</b>	Decal, Husqvarna
3	<b>532 18 10-35</b>	Decal, Danger, Deflector
4	<b>532 18 10-42</b>	Decal, Danger
5	<b>532 19 21-55</b>	Decal, Husqvarna, 5524STE
6	<b>532 18 10-33</b>	Decal, Instruction
7	532 15 57-98	Decal, Traction Lever
8	532 15 58-00	Decal, Auger Lever
9	<b>532 18 10-39</b>	Decal, Speed Control
10	532 15 57-94	Decal, Husqvarna, Crown
--	<b>532 41 46-51</b>	Owner's Manual, English
--	<b>532 41 46-52</b>	Owner's Manual, French

**NOTE:** All component dimensions given in U.S. inches. 1 inch = 25.4 mm

**IMPORTANT:** Use only Original Equipment Manufacturer (O.E.M.) replacement parts. Failure to do so could be hazardous, damage your snow thrower and void your warranty.