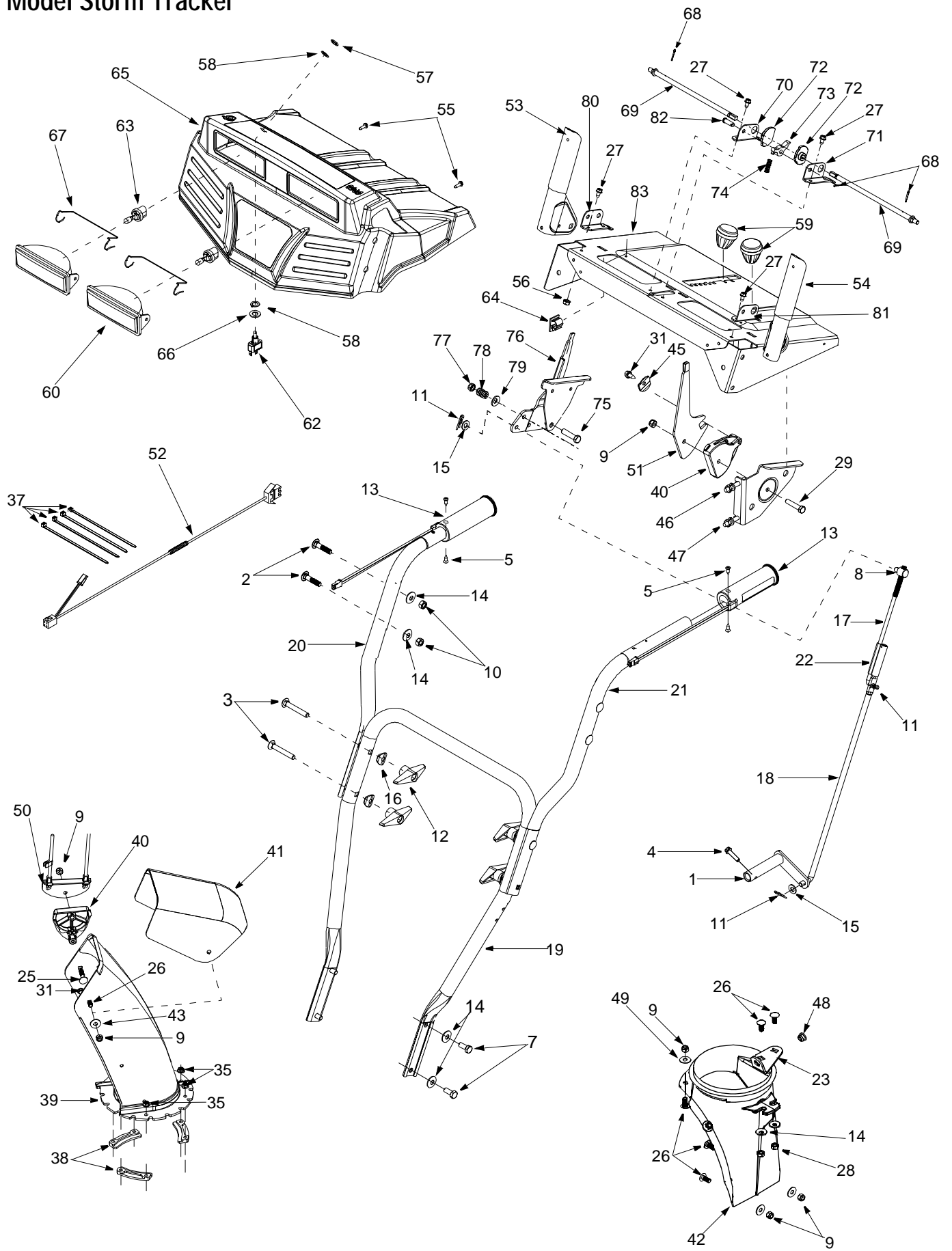


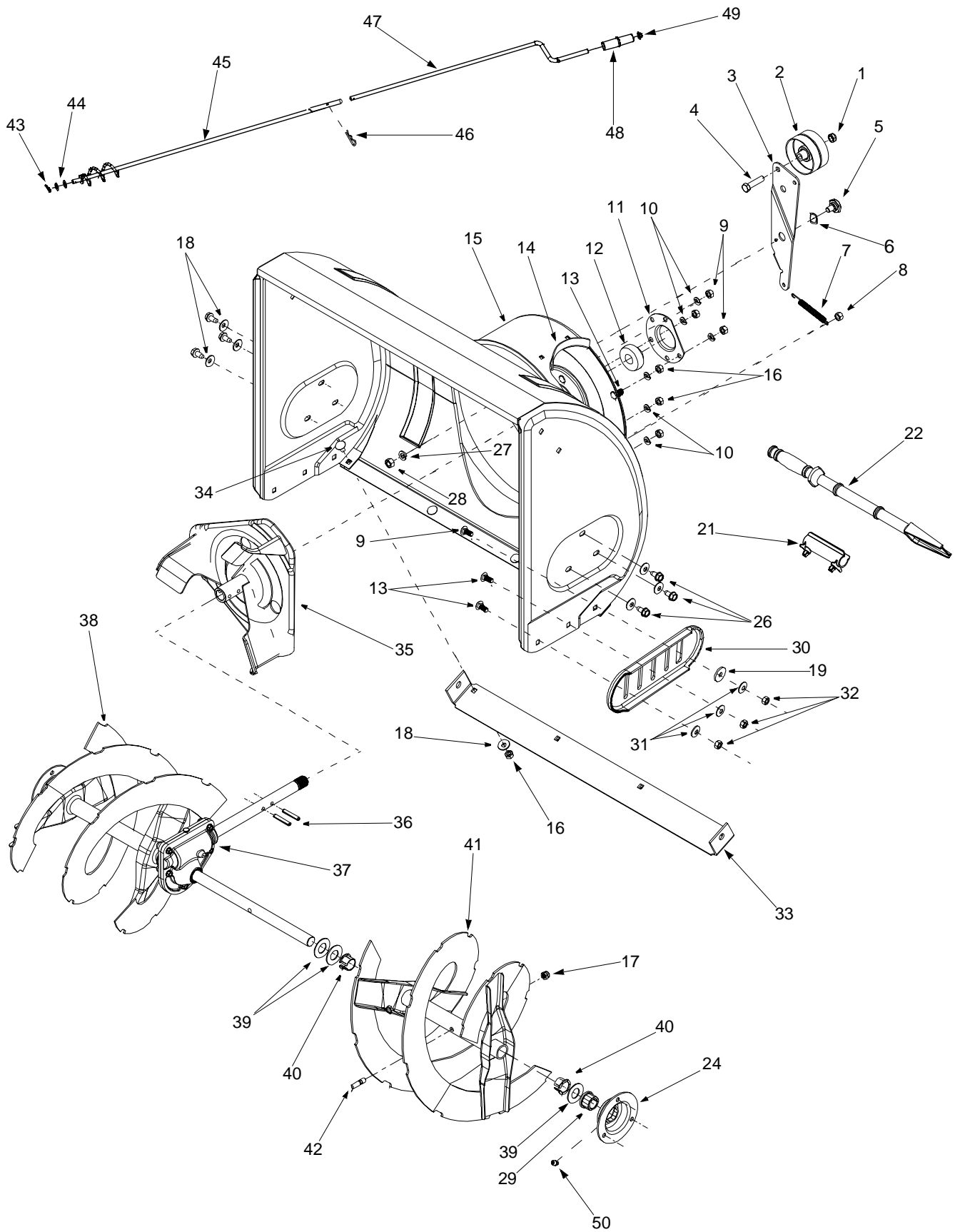
Model Storm Tracker



Model Storm Tracker

Ref. No.	Part No.	Part Description	Ref. No.	Part No.	Part Description
1.	684-0008A	Shift Arm Assembly	47.	746-0901	Control Cable
2.	710-0458	Carriage Bolt 5/16-18 x 1.75"	48.	741-0475	Plastic Bushing
3.	710-0449	Carriage Bolt 5/16-18 x 2.25"	49.	736-0159	5/16 Washer
4.	710-0788	TT Screw 1/4-20 x 1"	50.	784-5594	Cable Bracket
5.	710-0837	C-Sunk Screw #10-16x 0.625"	51.	784-5604	Handle: Chute Tilt
7.	710-1880	Hex Screw 5/16-18 x .75"	52.	629-0937	Harness Assembly: Upper
8.	711-0677	Ferrule	53.	684-0036A	Handle Assembly RH
9.	712-0429	Hex Lock Nut 5/16-18	54.	684-0037B	Handle Assembly LH
10.	712-3068	Hex Nut 5/16-18	55.	710-1003	Special Hex Screw
11.	714-0104	Cotter Pin	56.	712-0271	Hex Sems Nut: 1/4-20
12.	720-0284	Handle Knob	57.	712-0693	Hex Nut
13.	725-1757	Heated Grip	58.	716-0398	Lock Ring: Toggle Switch
14.	736-0242	Belleville Washer	59.	720-0232	Shift Knob
15.	736-0275	Flat Washer	60.	725-1672	Lamp Housing
16.	736-0451	Saddle Washer	62.	725-1756	Toggle Switch: Single Switch
17.	747-0620A	Shift Rod: Upper	63.	725-1658	Halogen Lamp: 27W, 12V
18.	747-0621	Shift Rod: Lower	64.	726-0152	Mounting Clamp
19.	749-0951	Lower Handle	65.	731-04068	Handle Panel
20.	749-0952A	Upper Handle: L Style RH	66.	736-0226	Flat Washer
21.	749-0953A	Upper Handle: L Style LH	67.	747-1136	Headlight Retainer
22.	750-0963	Connector: Shift Rod	68.	714-0507	Cotter Pin: 3/32 x .75
23.	784-5647	Chute Crank Bracket	69.	747-0877	Cam Rod
25.	710-0262	Carriage Bolt: 5/16-18 x 1.5"	70.	784-5680	RH Handle Support Bracket
26.	710-0451	Carriage Bolt: 5.16-18 x .750"	71.	784-5679	LH Handle Support Bracket
27.	710-0599	TT Screw: 1/4-20 x 0.5"	72.	748-0362	Cam Handle Lock
28.	712-3010	Hex Nut 5/16-18	73.	748-0363	Handle Lock Pawl
29.	710-0805	Hex Screw: 5/16-18 x 1.5"	74.	732-0145	Compression Spring: .36 x 1.0
31.	710-0896	Hex Screw AB:1/4-14 x 0.625"	75.	710-0459A	Hex Cap Screw: 3/8-24 x 1.5
35.	712-3027	Hex Flange Lock Nut	76.	784-5619A	Shift Handle
37.	725-0157	Cable Tie	77.	712-0116	Jam Nut, 3/8-24
38.	731-0851A	Chute Flange Keeper	78.	732-0193	Comp. Spring: .39 x .6 x .88
39.	731-1300B	Lower Chute	79.	736-0105	Bell Washer
40.	731-1313C	Cable Guide: Chute Tilt	80.	784-5682	RH Handle Support Bracket
41.	731-1320	Upper Chute	81.	784-5681	LH Handle Support Bracket
43.	736-0159	5/16 Washer	82.	711-0653	Clevis Pin
45.	736-0506	Special Washer	83.	684-0102	Handle Panel
46.	746-0896	Control Cable			

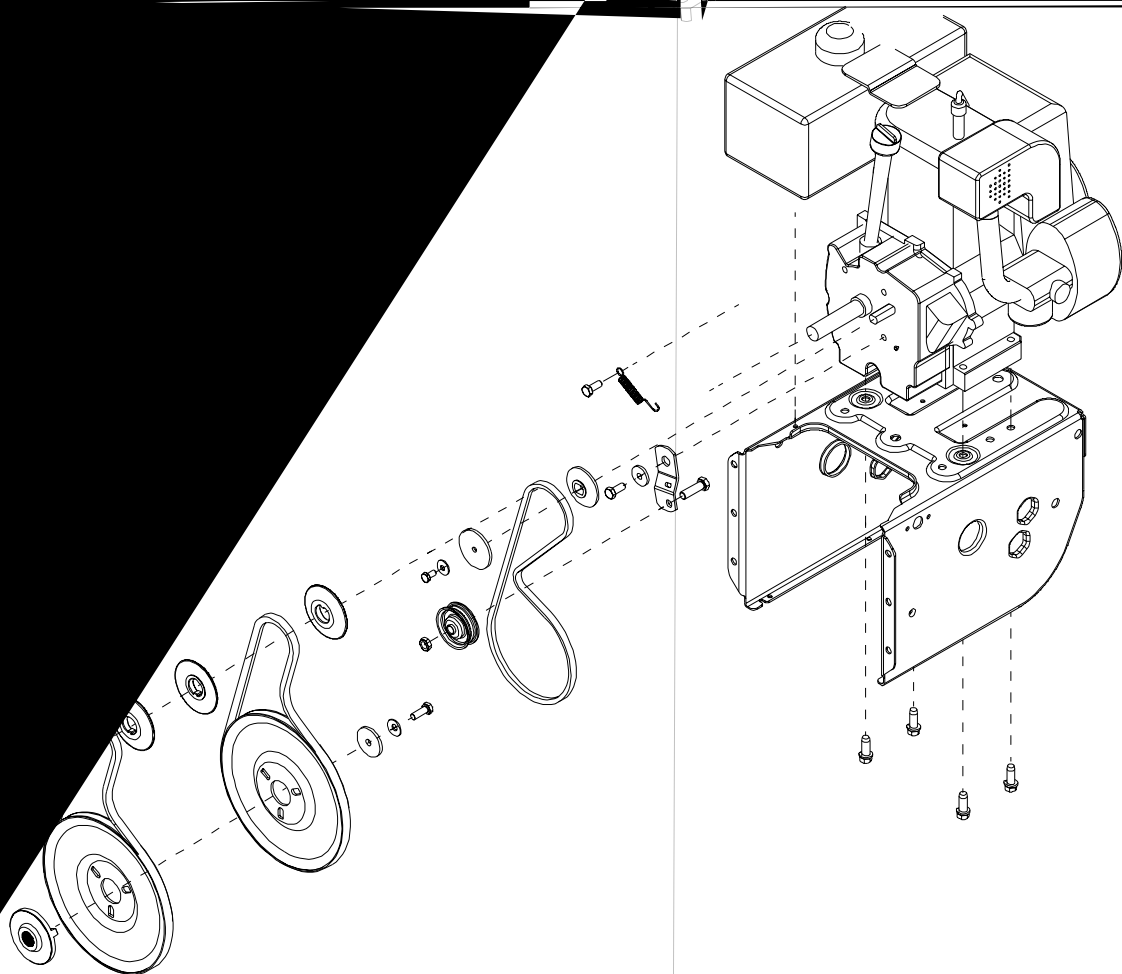
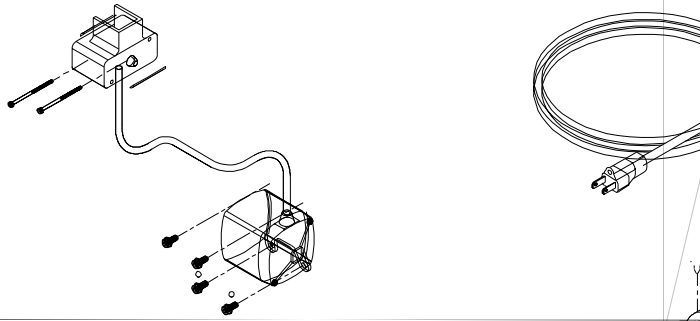
Model Storm Tracker



Model Storm Tracker

Ref. No.	Part No.	Part Description	Ref. No.	Part No.	Part Description
1.	712-0116	Lock Jam Nut 3/8-24	33.	784-5582A	Shave Plate
2.	756-0178	Flat Idler	34.	710-0451	Carriage Bolt 5/16-18 x 1.00
3.	784-5632B	Auger Idler Arm	35.	684-0065	Impeller Assembly
4.	710-0459A	Hex Cap Screw 3/8-24 x 1.50	36.	715-0114	Pin
5.	738-0281	Shoulder Screw	37.	618-0416A	Gear Assembly Complete, 28"
6.	736-0167	Flat Washer .656 ID x 1.25 OD	38.	605-5196A	Spiral Assembly: RH 28"
7.	732-0611	Extension Spring	39.	736-0188	Flat Washer
8.	712-3068	Hex Nut 5/16-18	40.	741-0493A	Flange Bushing
9.	710-0276	Carriage Bolt, 5/16-18 x 1.00	41.	605-5197A	Spiral Assembly: LH 28"
10.	736-0119	Lock Washer 5/16	42.	710-0890A	Shear Bolt 5/16-18 x 1.5
11.	05931A	Housing	43.	714-0104	Hairpin Clip
12.	741-0309	Ball Bearing	44.	736-0185	Flat Washer
13.	710-0451	Carriage Bolt, 5/16-18 x .75	45.	684-0053B	Chute Crank Assembly
14.	705-5226	Chute Reinforcement	46.	714-0101	Hairpin Clip
15.	684-04003	Auger Housing Assy. 28"	47.	747-0737	Chute Crank
16.	712-3010	Hex Nut 5/16-18	48.	720-0201A	Chute Crank Knob
17.	712-0429	Lock Nut 5/16-18	49.	726-0100	Push Cap
18.	736-0242	Belleville Washer		777D06571	Label: Top Panel
19.	736-0231	Flat Wshr, .344ID x 1.125 OD		777D06570	Label: Auger
21.	731-2635	Clean-Out Tool Mount		777D06563	Label: Handle Panel
22.	731-2643	Clean-Out Tool		777D03165	Label: Heated Handle
24.	784-5618	Bearing Housing		777I20324	Label: Transport
26.	710-0604A	Hex Screw 5/16-18		777I22052	Label: H-Steer YM LH
27.	736-0169	Lock Washer 3/8		777I22053	Label: H-Steer YM RH
28.	712-0798	Hex Nut 3/8-16		777I22049	Label: Steerable Center
29.	741-0245	Hex Flange Bearing		777S32065	Label: Chute w/Tool
30.	784-5038B	Skid Shoe		777S32066	Label: Housing w/Tool
31.	736-0242	Bell Washer	50.	737-3000	Crease Fitting
32.	712-3010	Hex Nut 5/16-18			

Model Storm Tracker



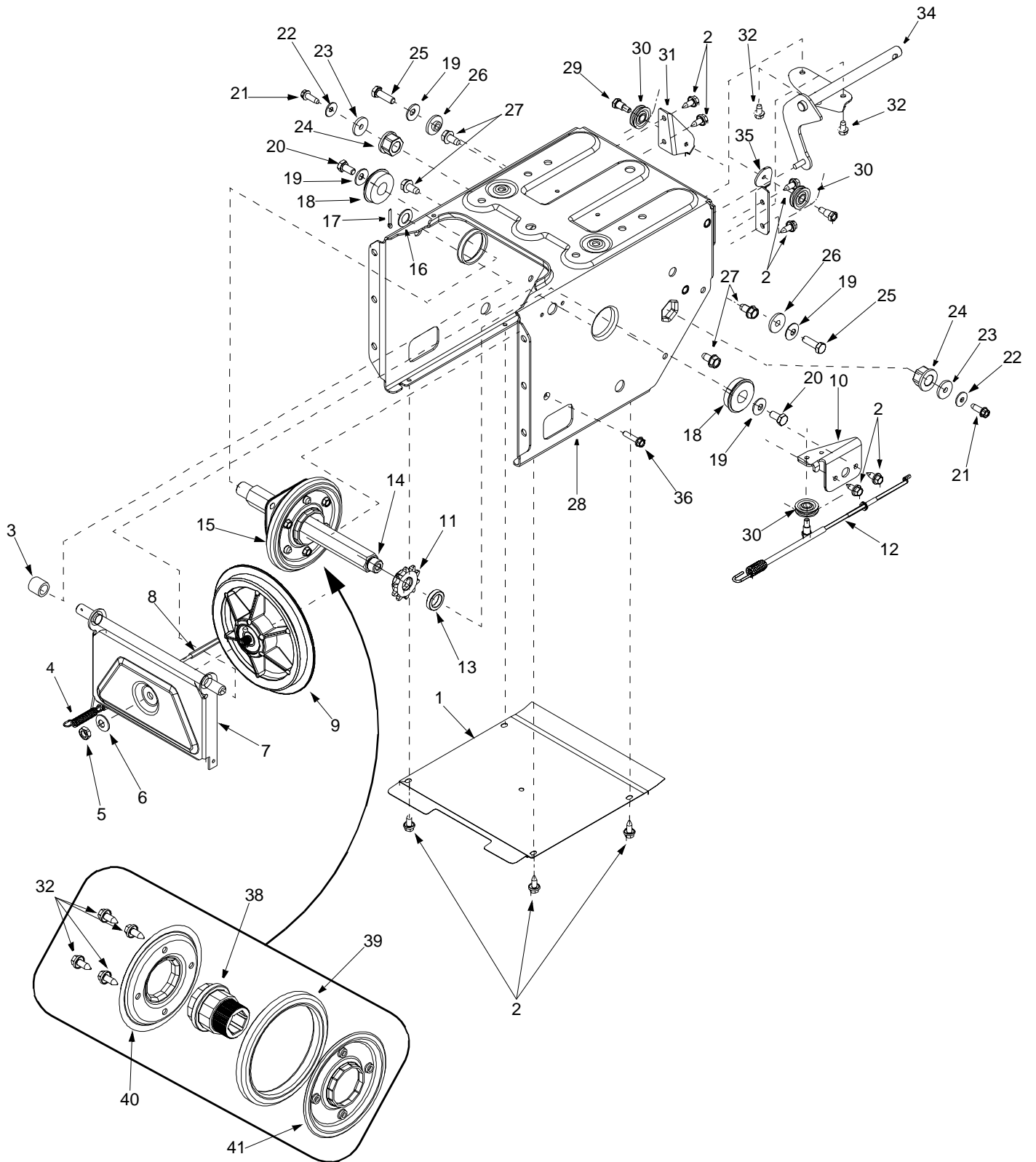
Model Storm Tracker

Ref. No.	Part No.	Part Description
1.	710-1652	Hex Washer Screw 1/4-20 x .625
2.	731-1324	Belt Cover
3.	732-0710	Extension Spring
4.	710-0627	Hex Screw 5/16-24 x .75
5.	710-3005	Hex Cap Screw 3/8-16 x 1.25
6.	05896A	Drive Clutch Idler Bracket
7.	748-0234	Shoulder Spacer
8.	756-0987	Pulley Half
9.	754-0346	V-Belt
10.	756-0986	Pulley Half
11.	736-0270	Bell Washer
12.	710-0230	Hex Cap Screw 1/4-28 x .50
13.	756-0313	Flat Idler
14.	710-1245B	Lock Hex Cap Screw 5/16-24
15.	712-0181	Lock Jam Nut 3/8-16
16.	756-0569	Pulley Half
17.	736-0242	Bell Washer
18.	736-0505	Flat Washer
19.	754-0430B	Belt
20.	756-0967	Auger Pulley
21.	736-0247	Flat Washer 3/8 x 1.25 OD
22.	736-0331	Bell Washer
23.	710-0696	Hex Cap Screw 3/8-24
24.	748-0360	Adapter Pulley
25.	710-0654A	Hex Screw 3/8-16 x 1.0
26.	629-0071	Extension Cord
27.	OEM-390-987	Electric Start Kit
28.	712-0324	Lock Nut, 1/4-20
29.	736-0173	Flat Washer, .28 x .74 x .063
30.	732-0705	Cable Guide
31.	629-04007	Upper Harness Assembly

IMPORTANT: For a proper working machine, use Factory Approved Parts.

V-BELTS are specially designed to engage and disengage safely. A substitute (non OEM) V-Belt can be dangerous by not disengaging completely

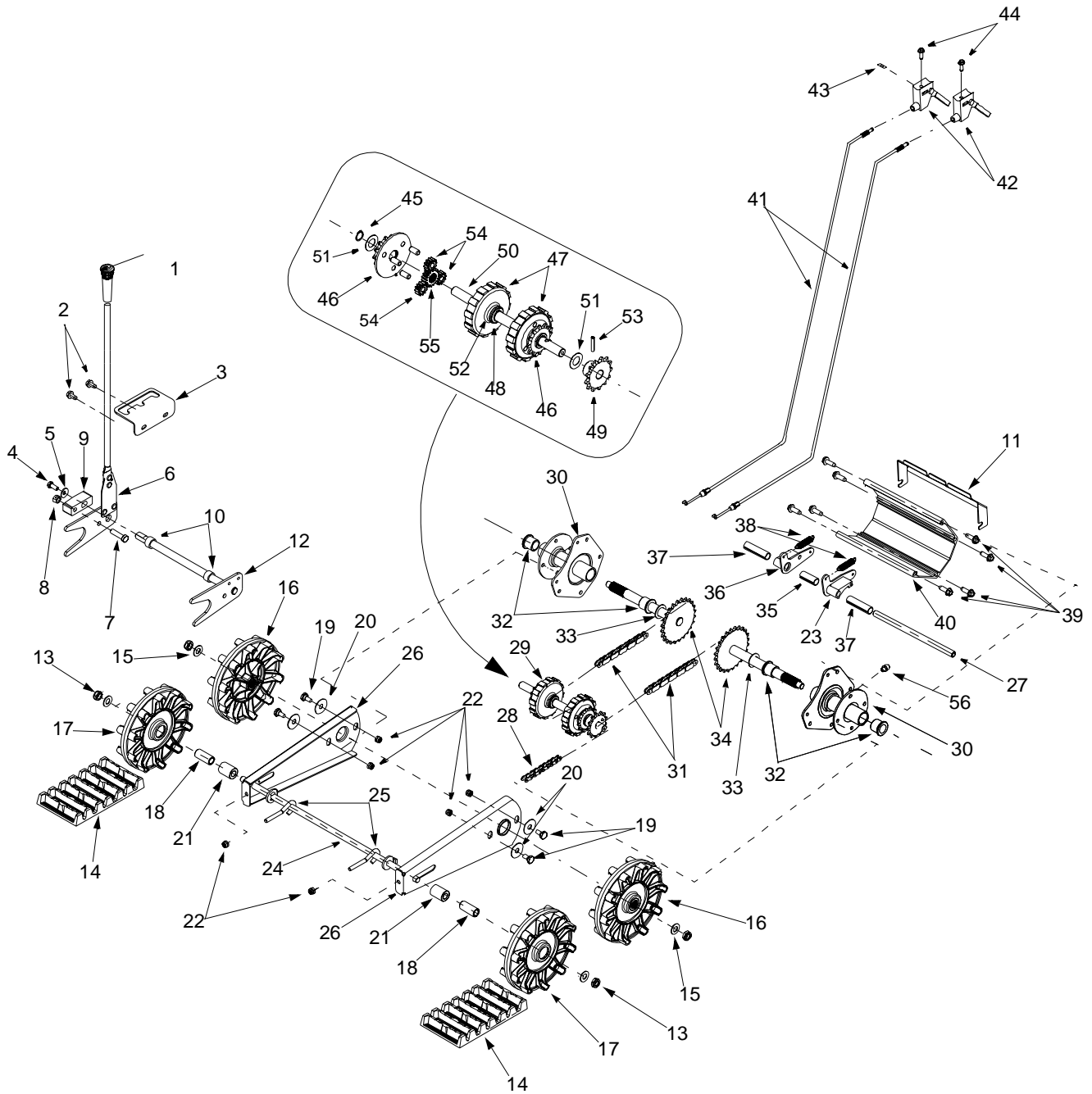
Model Storm Tracker



Model Storm Tracker

Ref. No.	Part No.	Part Description	Ref. No.	Part No.	Part Description
1.	784-5648	Frame Cover	22.	736-0270	Bell Washer .265 ID x .75 OD
2.	710-1652	Tap Screw 1/4-20 x .625	23.	736-0176	Flat Washer 1/4 ID x .93 OD
3.	748-0190	Spacer .508 ID x .75 OD	24.	741-1111	Hex Flange Bearing
4.	732-0264	Extension Spring	25.	710-0643	Hex Cap Screw 5/16-18 x 1"
5.	712-0711	Jam Nut 3/8-24	26.	748-0234	Shoulder Spacer
6.	736-0105	Bell Washer .401 ID x .87 OD	27.	710-0604A	Tap Screw 5/16-18 x .625
7.	684-0021	Friction Whl Support Bracket	28.	684-0031	Frame Assembly
8.	746-0898B	Drive Cable 39.88"	29.	738-0924	Hex Screw 1/4-28 x .375
9.	656-0012A	Friction Disc	30.	756-0625	Cable Roller
10.	784-5689A	Front Support Guide Bracket	31.	784-5688	Drive Cable Guide Bracket
11.	713-0413	10T Sprocket	32.	710-0599	Tap Screw 1/4-20 x .5
12.	746-0897	Auger Cable 44.75"	33.	784-5590	Shift Frame Bracket
13.	750-0997	Spacer .675 ID x 1" OD	34.	684-0014B	Shift Rod Assembly
14.	711-1042	Hex Track Shaft	35.	784-5687A	Auger Cable Guide Bracket
15.	684-0042C	Friction Wheel Assembly	36.	710-0809	Tap Screw 1/4-20 x 1.250
16.	736-0160	Flat Washer .536 ID x .93 OD	37.	618-0063A	Friction Wheel Bearing
17.	714-0474	Cotter Pin	38.	718-0301A	Friction Wheel Hub
18.	741-0563	Ball Bearing	39.	735-0243B	Friction Wheel Rubber
19.	736-0242	Bell Washer .34 ID x .872 OD	40.	790-00011	Friction Plate
20.	710-0538	Hex Cap Screw 5/16-18 x .625	41.	790-00010	Friction Plate
21.	710-0857	Tap Screw 1/4-20 x .75			

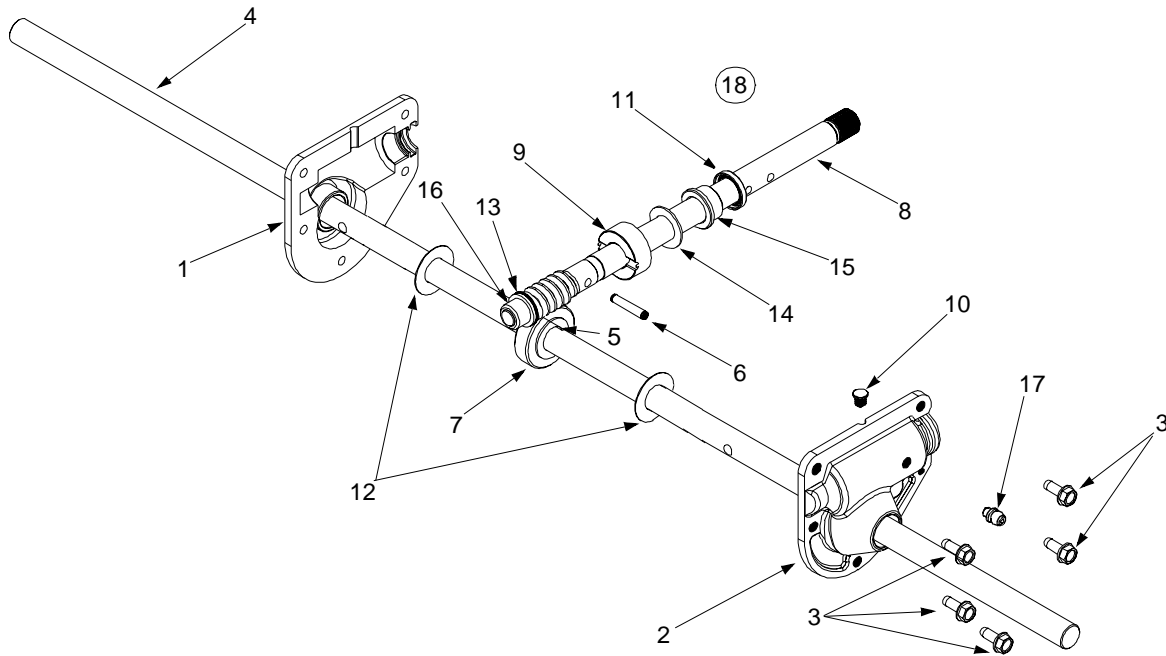
Model Storm Tracker



Model Storm Tracker

Ref. No.	Part No.	Part Description	Ref. No.	Part No.	Part Description
1.	720-0223	Grip	29.	618-0169A	Track/Steering Shaft Assy
2.	710-0604A	Tap Screw, 5/16-18 x .625	30.	683-0024	Track Hub Assy
3.	784-5642	Track Lockout Plate	31.	713-0437	Chain
4.	710-0157	Hex Cap Screw, 5/16-24 x .75	32.	741-0339	Flange Bearing
5.	736-0242	Bell Washer, .34 ID x .872 OD	33.	736-0287	Flat Washer, .793 x 1.24 x .06
6.	684-0038	Track Lock Handle Assembly	34.	611-0053	Axle Assembly
7.	710-0459A	Hex Cap Screw, 3/8-24 x 1.5	35.	750-0904	Spacer, .514 x .630 x 1.59
8.	712-0214	Hex Nut, 3/8-24	36.	618-0043	RH Dogg Assembly
9.	748-0353A	Lift Shaft Drive	37.	750-0903	Spacer, .514 x .630 x 2.44
10.	750-0547	Spacer, .628 ID x .875 OD x .5	38.	732-0209	Extension Spring
11.	784-5609	Steering Cable Bracket	39.	710-0602	Tap Screw, 5/16-18 x 1
12.	684-0009	Track Pivot Rod Assembly	40.	719-0295A	Track Housing
13.	712-0346	Jam Nut, 1/2-20	41.	746-0948	Steering Cable
14.	731-1292	Snow Track	42.	746-0950	Steering Trigger
15.	736-0272	Flat Washer, .5 x 1 x .06	43.	712-0127	Flange Nut
16.	731-1538A	Track Drive Wheel	44.	710-1233	Screw, #10-24 x 1.375
17.	631-0032	Track Idler Wheel	45.	716-0114	Retaining Ring
18.	750-0995	Spacer, .51 ID x .75 OD x 1.67	46.	618-0046B	Carrier Assembly
19.	738-0140	Screw, .435 x .178-5/16 x .56	47.	717-1211B	Ring Gear
20.	736-0406	Flat Washer, .442 x 1.38 x .06	48.	716-0115	Retaining Ring
21.	750-0909	Spacer, .51 ID x 1 OD x 1.34	49.	713-0414	13-Tooth Sprocket
22.	712-0429	Hex Nut, 5/16-18	50.	711-0912	Track Steering Drive Shaft
23.	618-0044	LH Dogg Assembly	51.	736-0502	Flat Washer, .58 x 1.06 x .02
24.	684-0024	Idler Axle Assembly	52.	736-0336	Flat Washer, 5/8 x 1 x .03
25.	710-1231	Eye Bolt, 5/16-18 x 3	53.	715-0120	Spiral Pin, 3/16 x 1
26.	784-5639	Track Side Plate	54.	717-1209A	12-Tooth Gear
27.	711-0911	Actuator Shaft	55.	717-1210A	18-Tooth Gear
28.	713-0233	Chain			

Model Storm Tracker



Ref. No.	Part No.	Part Description
1.	618-0123	RH Housing
2.	618-0124	LH Housing
3.	710-0642	Self Tapping Screw, 1/4-20 x .75
4.	711-0910A	Spiral Axle 28"
5.	714-0161	Hi-Pro Key, 3/16 x 5/8
6.	715-0143	Spring Spiral Pin, .25 x 1.25
7.	717-0528	Worm Gear, 20-tooth
8.	717-0526	Worm Shaft
9.	718-0186	Thrust Collar
10.	721-0325	Grease Plug
11.	721-0327	Grease Seal
12.	736-0351	Flat Washer, .76 x 1.5 x .030
13.	736-0369	Flat Washer, .508 x 1.0 x .020
14.	736-0445	Flat Washer, .76 x 1.5 x .060
15.	741-0662	Flange Bearing, .75 x 1.0 x .59
16.	741-0663	Flange Bearing, .503 ID x .75 OD
17.	737-3000	Lube Fitting, 3/16 Drive
18.	618-0416A	Gear Assembly Complete, 28"