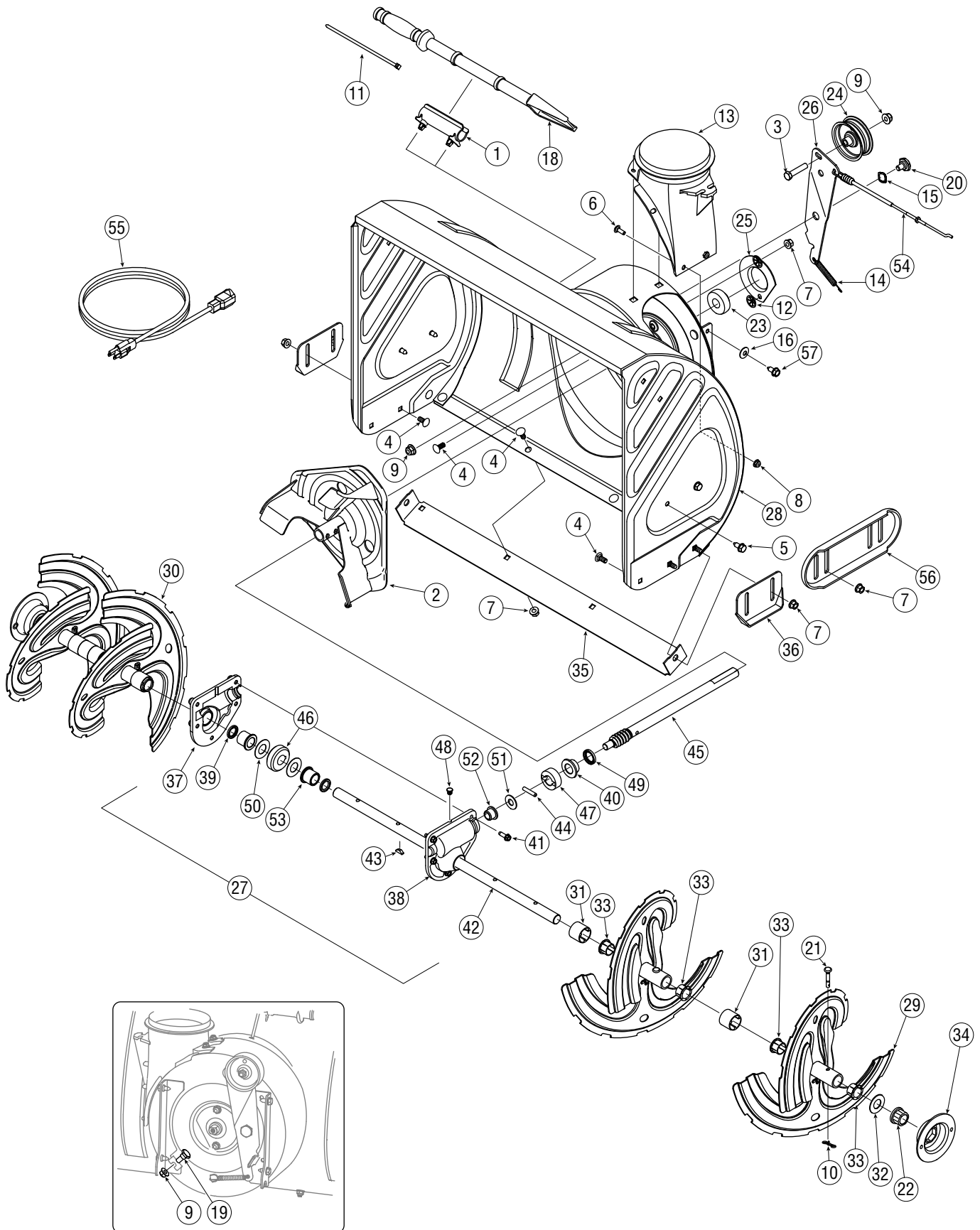


Style N



1.	731-2635	Snow Removal Tool Mount
2.	684-04057	Impeller Assembly, 12" Dia.
3.	710-0347	Hex Screw, 3/8-16, 1.75, Gr5
4.	710-0451	Bolt, Carriage, 5/16-18, .750 Gr1
5.	710-0604A	Screw, 5/16-18, 0.625
6.	710-0703	Screw, Carriage, 1/4-20, .750, Gr5
7.	712-04063	Nut, Flange Lock, 5/16-18, Nylon
8.	712-04064	Nut, Flange Lock, 1/4-20, Nylon
9.	712-04065	Nut, Flange Lock, 3/8-16, Nylon
10.	714-04040	Cotter Pin, Bow-tie
11.	725-0157	Cable, Tie, 3/16 x .05 x 7.4
12.	726-04012	Nut, Push-on, .25 Dia
13.	731-04705	Chute, Adapter 5" Dia
14.	732-0611	Spring, Extension, .38 OD x 3.6
15.	736-0174	Washer, Wave, .625 x .885 x .015
16.	736-0242	Washer, Bell, .340 x .872 x .060
17.	736-0463	Washer, Flat, .25 x .630 x .0515
18.	731-2643	Snow Removal Tool
19.	738-0143	Screw, Shoulder, .498 x .34, 3/8-16
20.	738-0281	Screw, Shoulder, .625 x .17, 3/8-16
21.	738-04124A	Shear Pin, .25 x 1.50
22.	741-0245	Bearing, Hex Flange x .75 ID
23.	741-0309	Bearing, Ball, .75 ID x 1.85 OD
24.	756-0981B	Flat Pulley, Idler, 2.75 OD
25.	790-00075	Housing, Bearing, 1.85 ID
26.	790-00080A	Bracket, Auger Idler w/ Brake
27.	918-04191	Gearbox Assembly, Auger, 24"
	918-04192	Gearbox Assembly, Auger, 26"
28.	684-04077	Housing Assy Troy-Bilt, Auger 24"
	684-04078	Housing Assy Troy-Bilt, Auger 26"
29.	684-04107	Spiral Assembly, LH

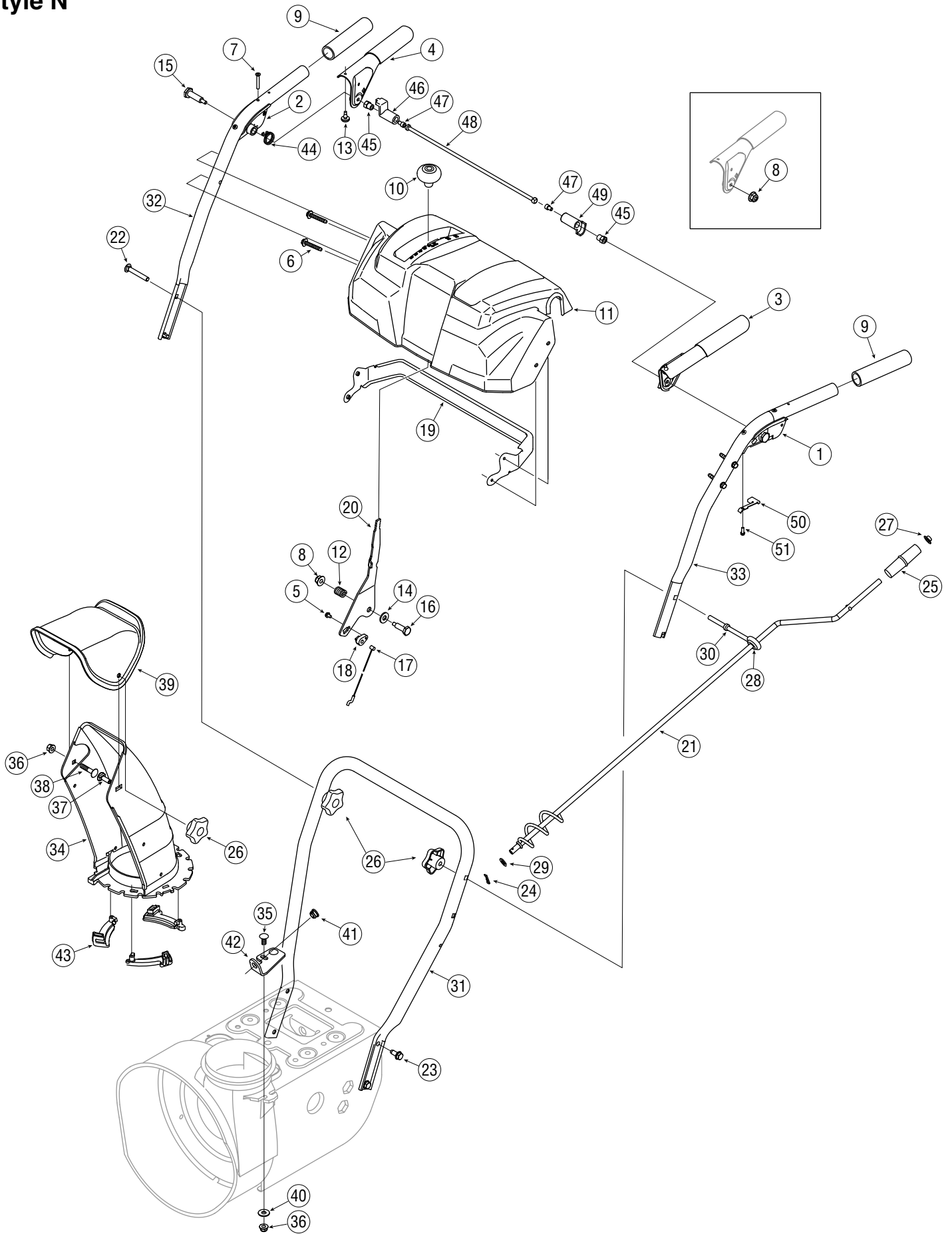
30.	684-04108	Spiral Assembly, RH
31.	731-04870*	Spacer, 1.25 OD x .75 ID x 1.00
32.	736-0188	Washer, Flat, .76 x 1.49 x .06
33.	741-0493A	Bushing, Flange, .80 ID x .91 OD
34.	790-00087A	Bearing Housing
35.	790-00120	Shave Plate, 23.66 (24" auger)
	790-00121	Shave Plate, 25.66 (26" auger)
36.	784-5580	Slide Shoe, Std.
37.	719-0319	Housing, Auger, RH Reduced
38.	719-0320	Housing, Auger, LH Reduced
39.	721-0327	Seal, Oil, .750 ID
40.	741-0662	Bearing, Flange, .75 x 1.0 x .59
41.	710-0642	Screw, Self-tapping, 1/4-20, 0.750
42.	711-04285	Axle, Auger, 24"
	711-04284	Axle, Auger, 26"
43.	714-0161	Key, Hi-pro 3/16 x 5/8
44.	715-04021	Pin, Dowel, .25 OD x 1.2
45.	717-04126	Shaft, Worm .75 OD
46.	717-0528A	Gear, Worm 20T
47.	718-04071	Collar, Thrust
48.	721-0325	Plug, 1/4 x .437
49.	721-0327	Seal, Oil, .75 x 1 x .131
50.	736-0351	Washer, Flat, .760 ID x 1.5 OD
51.	736-3084	Washer, Flat, .51 x 1.12
52.	741-0663	Bearing, Flange, .75 x 1.0 x .925
53.	741-0661A	Bearing, Flange, .75 x 1.00 x .975
54.	746-04230	Clutch Cable, Auger, 47.23"
55.	629-0071	Extention Cord, 110V
56.	790-00091	Slide Shoe, Deluxe
57.	710-1260A	Screw, 5/16-18, 0.75

* One found between spirals on models with 24-inch auger housing.

* Two found between spirals on models with 26-inch auger housing.

NOTE: Snow thrower features/components vary by model. NOT all parts listed above and pictured on the previous page are standard equipment.

Style N

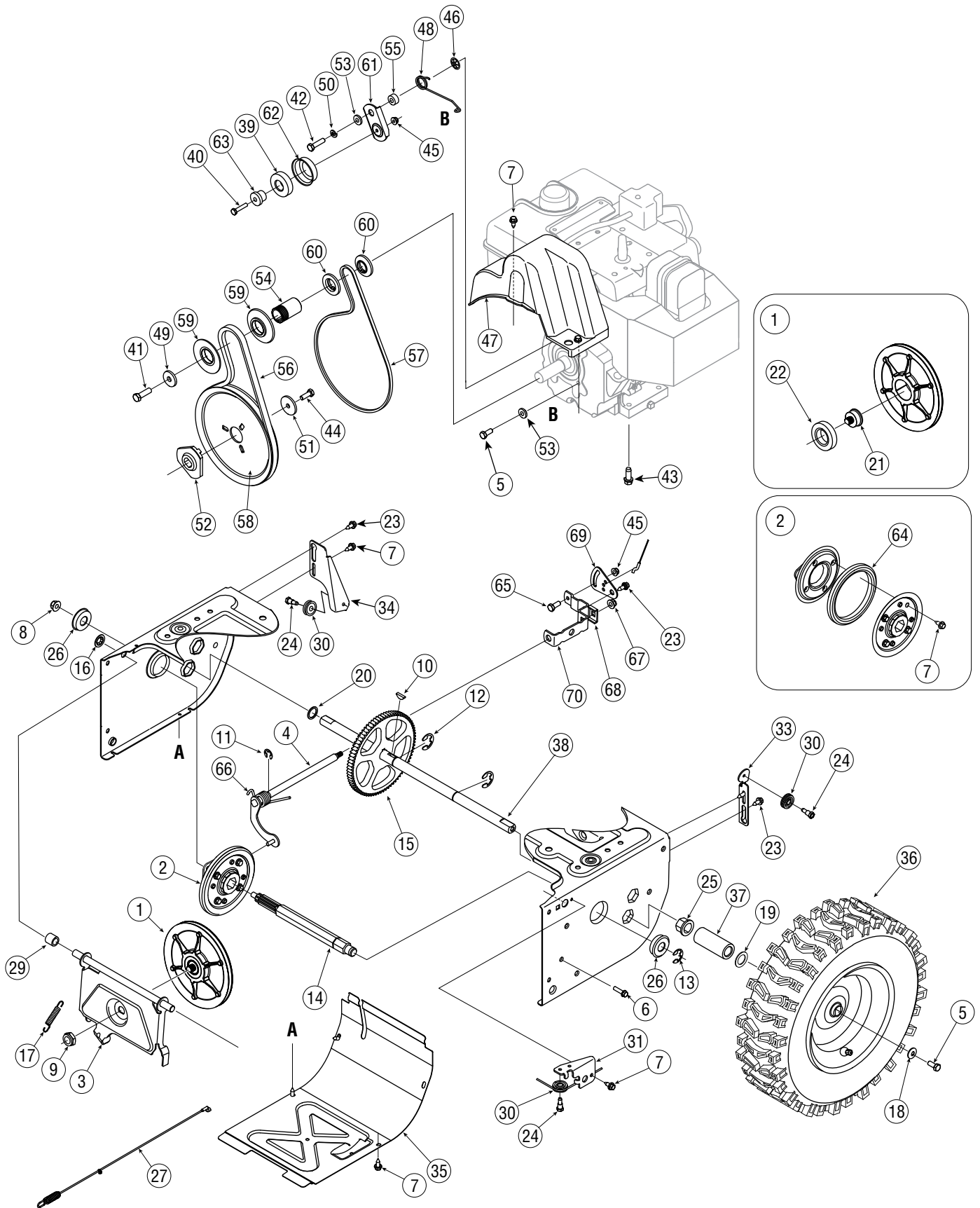


1.	631-04133	Handle Assembly, Lock, LH	27.	726-0100	Cap, Push, 3/8 Rod
2.	631-04134A	Handle Assembly, Lock, RH	28.	735-0234	Grommet, .44 ID x .94 OD x .50
3.	684-04105A	Handle Ass'y, Engagement LH	29.	736-0185	Washer, Flat, .375 x .738 x .063
4.	684-04106A	Handle Ass'y, Engagement, RH	30.	747-04263	Eye Bolt, Chute Crank
5.	710-0224	Screw, #10-16, 0.500	31.	749-04138	Handle, Lower
6.	710-04586	Screw, 1/4-20, 1.625	32.	749-04141	Handle, Upper, RH
7.	710-1233	Screw, Machine, #10-24, 1.375	33.	749-04142	Handle, Upper, LH
8.	712-04064	Nut, Flange Lock, 1/4-20, Nylon	34.	731-04912A	Chute, Lower, 5.0 Diameter
9.	720-0274	Grip, 1.0 ID x 5.0	35.	710-0276	Bolt, Carriage, 5/16-18, 1.0
10.	720-04039	Knob, Shift	36.	712-04063	Nut, Flange Lock, 5/16-18, Nylon
11.	731-05334	Handle Panel, N-Style	37.	710-04071	Bolt, Carriage, 5/16-18, 1.0
12.	732-0193	Spring, .39 x .60 x .88	38.	710-0451	Bolt, Carriage, 5/16-18, .750
13.	735-0199A	Bumper, Rubber, .62 OD x .22	39.	731-04426A	Chute, Upper, w/ Label
14.	736-0267	Washer, Flat, 385 x .87 x .06	40.	736-0159	Washer.349 ID x .879 OD x .063
15.	738-04122	Screw, Shoulder, .43 x 1.34, 1/4-20	41.	741-0475	Bushing, Plastic, .380
16.	738-04125	Screw, Shoulder, .374 Dia. x 1.05	42.	784-5647	Bracket, Chute Crank
17.	746-04227A	Cable, Speed Selector	43.	731-04869	Flange Keeper, Chute
18.	746-0605	Barrel Holder, Cable, LH	44.	732-04238*	Torsion Spring
19.	790-00248	Bracket, Panel	45.	712-04081A*	Nut, Hex, 1/4-20
20.	790-00203	Lever, Shift	46.	731-04894B*	Lock Plate
21.	684-04104	Crank Assembly, Chute	47.	710-04354*	Cap Screw 1/4-20 x .375
22.	710-0449	Screw, Carriage, 5/16-18, 2.25	48.	711-04287*	Pivot Rod
23.	710-1260A	Screw, 5/16-18, 0.75, Gr5	49.	731-04896A*	Clutch Lock Cam
24.	714-0104	Pin, Cotter, .072 x 1.13	50.	732-04219A*	Clutch Lock Spring
25.	720-0201A	Crank Knob, 1.0 Dia. x 3.2, Black	51.	710-04326*	Screw #8-16 x .50
26.	720-04072	Star Knob			

*Available on units equipped with clutch lock feature.

NOTE: Snow thrower features/components vary by model. NOT all parts listed above and pictured on the previous page are standard equipment.

Style N



1.	656-04025A	Disc Assembly, Friction Wheel
2.	684-04153	Friction Wheel Assembly, 5.5 OD
3.	684-04154	Support Bracket, Friction Wheel
4.	684-04156	Shift Assembly, Rod
5.	710-0627	Hex Screw, 5/16-24, .750, Gr5
6.	710-0788	Screw, 1/4-20, 1.000
7.	710-0896	Screw, 1/4-14 x .625
8.	712-04065	Nut, Flange Lock, 3/8-16, Nylon
9.	712-0413	Nut, Jam Lock, 5/8-18, Gr5, Nylon
10.	714-0126	Key, Hi Pro, 3/16 x 3/4 Dia.
11.	716-0104	E-ring, .500 Dia.
12.	716-0136	E-ring, Retaining, .875 Dia.
13.	716-0231	E-ring, .750 Dia.
14.	717-04209	Hex Shaft, .8125, 7-Tooth
15.	717-04230	Gear, 80-Tooth
16.	726-0221	Speed Nut, .500
17.	732-0264	Extension Spring
18.	736-0242	Washer, Bell, .340 x .872 x .060
19.	736-0287	Washer, Flat, .793 x 1.24 x .060
20.	736-04161	Washer, Flat, .75 x 1.00 x .060
21.	738-04164A	Pin, Friction Disc
22.	741-04098	Ball Bearing, 30 x 55 x 13
23.	738-04184A	Screw, Shoulder, .37 x .105, 1/4-20
24.	738-0924A	Screw, 1/4-28, .375
25.	741-0245	Bearing, Hex Flange x .75 ID
26.	741-0563	Bearing, Ball, 17 x 40 x 12
27.	746-04229	Clutch Cable, Wheel, 44.95"
28.	746-04228	Cable, Speed Selector
29.	748-0190	Spacer, .508 ID x .75 OD x .68
30.	756-0625	Roller, Cable
31.	790-00096	Front Guide Bracket, Auger Cable
32.	790-00180	Frame
33.	790-00206A	Guide Bracket, Auger Cable
34.	790-00207A	Guide Bracket, Drive Cable
35.	790-00226	Cover, Frame

36.	See Chart	Wheel Assembly
37.	731-04873	Spacer, 1.25 x .75 x 3.0
38.	738-04168	Axle, .75 x 22"
39.	741-0919	Ball Bearing
40.	710-0106	Hex Screw, 1/4-20, 1.25, Gr5
41.	710-0191	Hex Screw, 3/8-24, 1.25, Gr8
42.	710-04520	Hex Screw, 5/16-24, 1.25, Gr5
43.	710-0654A	Screw, Sems, 3/8-16, 1.00
44.	710-1245B	Hex Screw, 5/16-24, .875, Gr8
45.	712-04064	Nut, Flange Lock, 1/4-20, Nylon
46.	726-04012	Nut, Push-on, .25 Dia.
47.	731-04792A	Cover, Belt
48.	732-04308	Spring, Torsion, .850 ID x .354
49.	736-0247	Washer, Flat, .406 x 1.25 x .157
50.	736-0119	Washer, Lock .3125
51.	736-0505	Washer, Flat, .34 x 1.50 x .150
52.	748-04053	Pulley, Adapter, .75 Dia.
53.	748-04112	Spacer, Shoulder, .317 x .50 x .102
54.	750-04303	Spacer, .875 ID x 1.185 OD
55.	750-04477	Spacer, .340 x .750 x .360
56.	754-04050	Belt, Auger Drive
57.	754-04088	Belt, Wheel Drive
58.	756-04109	Pulley, Auger Drive, 8.1 x .5
59.	756-04113	Pulley, Half, V x 2.600 OD
60.	756-04179	Pulley, Half, 1/4-V x 1.5 OD
61.	790-00208	Idler Bracket, Wheel Drive
62.	790-00230	Sleeve, Bearing Idler
63.	750-04571	Spacer, Shoulder, .26 x .79 x .538
64.	735-04054	Rubber, Friction Wheel, 5.5 OD
65.	710-0751	Hex Screw, 1/4-20, .620, Gr5
66.	732-04311	Spring, Torsion, .750 ID x .968
67.	712-04063	Nut, Flange Lock, 5/16-18, Nylon
68.	790-00156	Bracket, Shift Spacer
69.	790-00217A	Pivot Bracket, Speed Selector
70.	790-00218A	Shift Bracket, Speed Selector

Wheel Assembly	Side	Wheel Size	Rim Only	Tire Only	Valve Only
634-04167A	Left-Hand	13.5 x 4 x 6	634-04151A	734-04128	734-0255
634-04168A	Right-Hand	13.5 x 4 x 6	634-04151A	734-04128	734-0255
634-04147A	Left-Hand	15 x 5 x 6	634-04151A	734-04012	734-0255
634-04148A	Right-Hand	15 x 5 x 6	634-04151A	734-04012	734-0255

NOTE: Snow thrower features/components vary by model. NOT all parts listed above and pictured on the previous page are standard equipment.