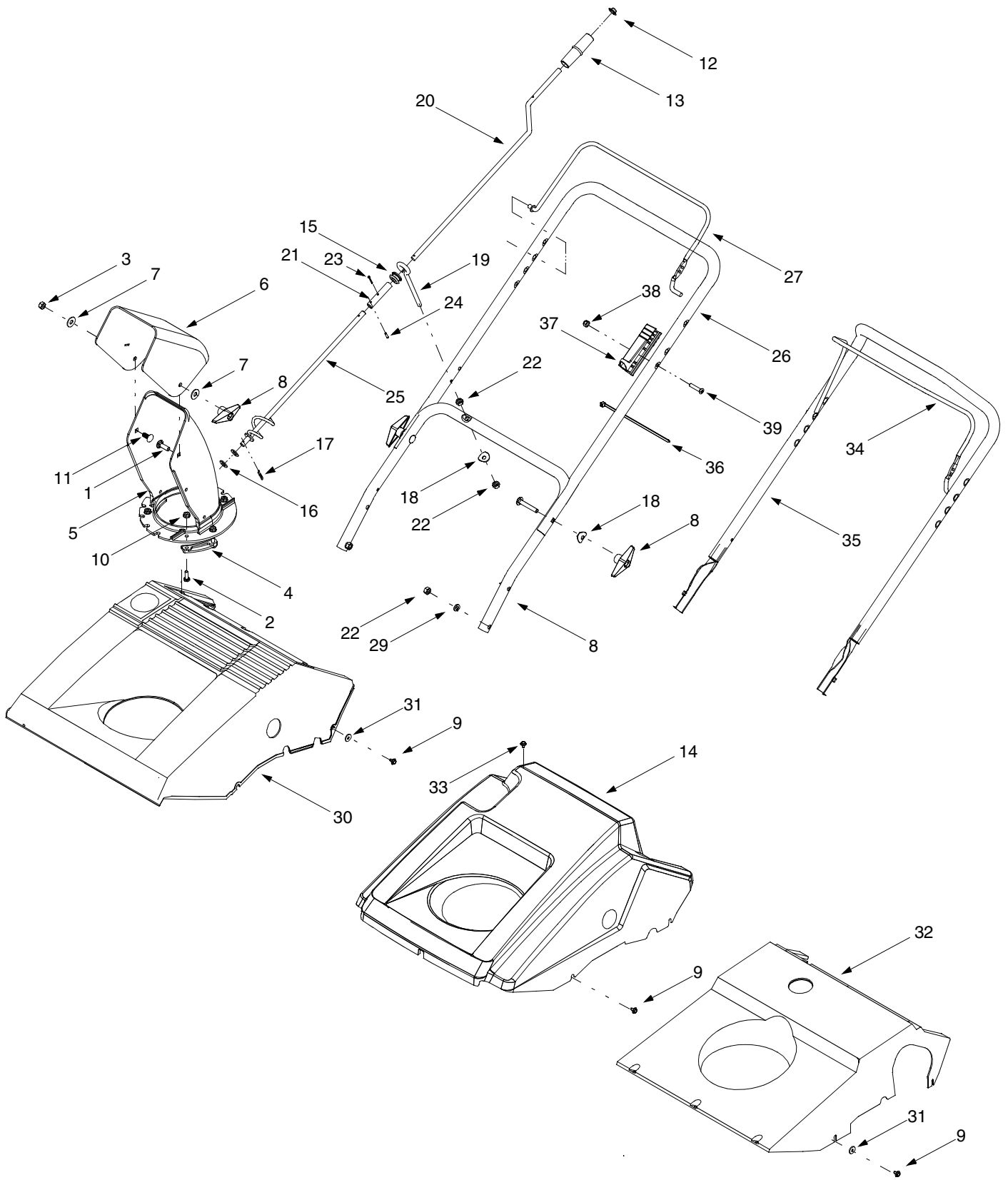


SECTION 10: PARTS LIST

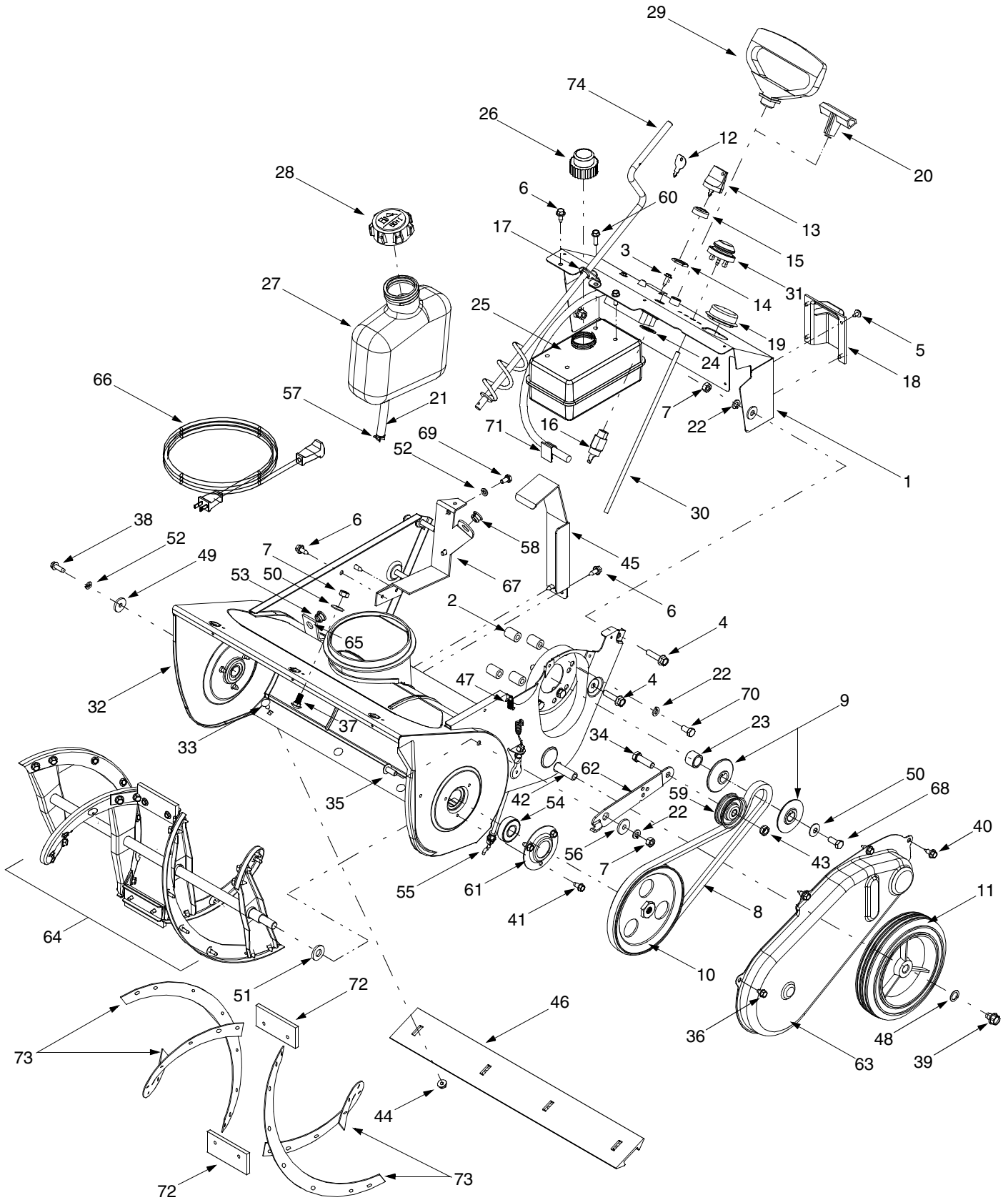


Models 140, 150, E150, E162 & E172

REF. NO.	PART NO.	DESCRIPTION
1	710-0276	Splined Carriage Screw, 5/16-18 x 1.0
2	710-3015	Hex Cap Screw, 1/4-20 x .75
3	712-3068	Hex Lock Nut, 5/16-18
4	731-0851A	Chute Flange Keeper
5	731-0915B	Lower Chute, 5.0
6	731-0921	Upper Chute, 5.0
7	736-0159	Washer, .349 x .879 x .063
8	720-0284	Wingnut Knob, 5/16-18
9	710-1268	Screw, #10-16 x .375
10	712-3027	Hex Flange Lock Nut, 1/4-20
11	710-0451	Carriage Bolt, 5/16-18 x .75
12	726-0100	Push Cap, 3/8
13	720-0201A	Knob, 1.0 x 3.2
14	731-1765	Shroud, Black—Models E162 & E172
15	735-0234	Rubber Grommet, .44 x .94 x .50
16	736-0185	Flat Washer, .375 x .738 x .063
17	714-0104	Internal Cotter Pin, .072 x 1.12
18	736-0451	Saddle Washer, .320 x .93
19	747-0697	Eyebolt, .70
20	747-0737	Upper Chute Crank
21	750-0785	Spacer, .382 x .50 x 1.12
22	712-3010	Hex Nut, 5/16-18
23	714-0507	Cotter Pin, 3/32 x .75
24	715-0138	Rolled Pin, 1/8 x .63
25	684-0126	Chute Crank Assembly
26	749-0705	Upper Handle
27	747-0946	Auger Bail (Control Handle)
28	749-0796B	Lower Handle
29	736-0119	Lock Washer, 5/16
30	731-1087	Shroud, Black—Models 150 & E150
31	736-0400	Flat Washer, .194 x .62 x .063
32	731-0702	Shroud, Black—Model 140
33	710-1003	Screw, #10-16 x .625
34	747-0956	Auger Bail (Control Handle), Gullwing-style
35	749-0711A	Upper Handle, Gullwing-style
—	720-0295	Foam Grip, 22" (not included with handle)
36	725-0157	Cable Tie
37	746-0883	Control (Cable) Housing
38	712-0324	Nylon Hex Lock Nut, 1/4-20
39	710-1270	Machine Screw, 1/4-20 x 1.31

NOTE: Snow thrower features/components vary by model. NOT all parts listed above and pictured on the previous page are standard equipment.

Models 140, 150, E150, E162 & E172



Models 140, 150, E150, E162 & E172

REF. NO.	PART NO.	DESCRIPTION	REF. NO.	PART NO.	DESCRIPTION
1	684-0054A	Dash Assembly—Model E162 (Includes Plastic Cup for Mitten Grip)	36	710-0352	Hex Index Washer Screw, 1/4-14 x .375
	684-0056	Dash Assembly—Model 140 (Includes Plastic Sleeve for Starter Rope)	37	710-0451	Carriage Bolt, 5/16-18 x .75
	684-0160	Dash Assembly—Model 150, E150, E172 (Includes Plastic Sleeve for Starter Rope)	38	710-0642	Self-tapping Screw 1/4-20 x .75
2	750-0589	Spacer, .325 x .625 x .88—Model 140	39	710-0773	Self-tapping Screw 3/8-16 x .50
3	710-1003	Screw, #10-16 x .625	40	710-0896	Self-tapping Screw, 1/4-14 x .625
4	710-1090	Hex Flange Screw, 5/16-18 x 1.25	41	710-1005	Self-tapping Screw, 1/4-14 x .50
5	710-1268	Screw, #10-16 x .375	42	710-0848A	Axle, .35 x .5 x 20.75
6	710-1652	Self-tapping Screw, 1/4-20 x .625	43	712-0116	Jam Lock Nut, 3/8-24
7	712-3010	Hex Nut, 5/16-18	44	712-3027	Hex Flange Lock Nut, 1/4-20
8	754-0101A	Drive Belt—Model 150, E150, E162, E172	45	784-5177	Engine Support Bracket—Model 140
	754-0367	Drive Belt—Model 140	46	731-1033	Shave Plate, 2.66 x 19.88
9	756-0416B	Pulley Half-.625 x 2.25	47	732-0357A	Extension Spring, .33 x 1.12
10	756-0475	Auger Drive Pulley	48	736-0108	Flat Washer, .51 x .75 x .033
11	734-1176	Wheel Assembly, 7 x 1.5	49	736-0176	Flat Washer, .265 x .938 x .120
12	725-0201	Ignition Key	50	736-0242	Belleville Washer, .340 x .872
13	725-1341B	Ignition Key w/ Plastic Cover	51	736-0326	Flat Washer, .51 x 1.0 x .125
14	725-1346	Ignition Nut, 5/8-32—Model E162, E172	52	736-0329	Lock Washer, 1/4
	712-0252	Jam Nut, 5/8-32—Model 140, 150, E150	53	741-0475	Plastic Bushing
	725-1347	Ignition Switch Cap	54	741-0600	Ball Bearing, 17mm x 40mm x 12mm
15	725-1425	Ignition Switch	55	746-0910A	Cable, 41.78" (includes end spring)
16	784-5178A	Chute Crank Bracket—Model 140	56	748-0234	Shoulder Spacer
17	731-1089A	Choke Cover	57	726-0205	Hose Clamp, .49
18	731-1133C	Spark Plug Cap	58	741-0475	Plastic Bushing, .38
19	7510009630	Recoil Handle (Standard)	59	756-0313	Flat Idler Pulley, 1.88 x .50 x 2.12
20	751-0535	Fuel Line Hose	60	710-0895	Hi-Lo Self-tapping Screw, 1/4-15 x .75
21	736-0119	Lock Washer, 5/16	61	784-5174	Bearing Cup
22	750-0716	Spacer, .630 x .88 x .680	62	784-5175B	Brake Idler Bracket
23	736-0225	Internal Lock Washer, 5/8 x 1.058 x .046	63	784-5176	Belt Cover
24	751-0352	Gas Tank, 1 qt—Model 140	64	784-5485	Solid Shaft Auger Assembly
25	751-0353	Fuel Cap for 751-0352	65	784-5720	Chute Crank Bracket
26	751-0540A	Gas Tank, 2 qt.—Model 150, E150, E162, E172	66	629-02536	110V Extension Cord, 2-prong
27	751-0800	Fuel Cap for 751-0540A (50:1 Red Print)	67	705-5139A	Fuel Tank Support Bracket—Model 150, E150, E162 & E172
28	7510009636	Recoil Handle (Mitten Grip)	68	710-0157	Hex Cap Screw, 5/16-24 x .75
29	723-0354	Primer Tube	69	710-3013	Hex Cap Screw, 1/4-20 x .50
30	751-0354	Primer Bulb	70	710-3025	Hex Cap Screw, 5/16-24 x .625 —Model 150, E150, E162, E172
31	684-0114A	Auger Housing Assembly		710-0805	Hex Cap Screw, 5/16-18 x 1.50 —Model 140
32	710-0167	Screw, 1/4-20 x .50	71	726-0152	Self-adhesive Clamp, .5 (for starter cable)
33	710-0191	Cap Screw, 3/8-24 x 1.25	72	731-0782	Rubber Paddle
34	710-0323	Trus Machine Screw, 5/16-18 x .75	73	731-0780A	Rubber Paddle/Spiral
			74	784-5344	Chute Crank Assembly—Model 140

IMPORTANT: For a proper working machine, use Factory Approved Parts. **V-belts** are designed to engage and disengage safely. A substitute (non OEM) V-belt can be dangerous by not disengaging completely.

NOTE: Snow thrower features/components vary by model. *NOT* all parts listed above and pictured on the previous page are standard equipment.