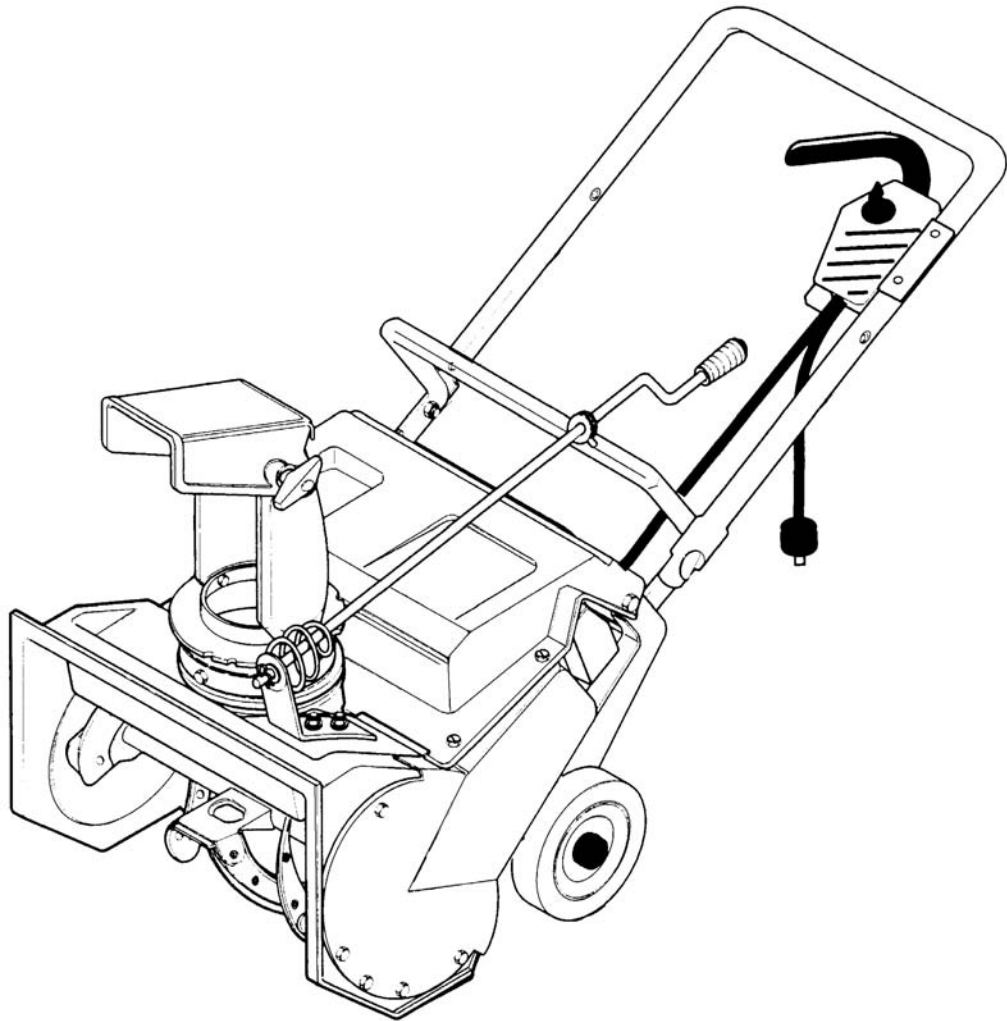


# PARTS LIST LISTE DE PIÈCES

## SNOW THROWER CHASSE-NEIGE

620000x30ND



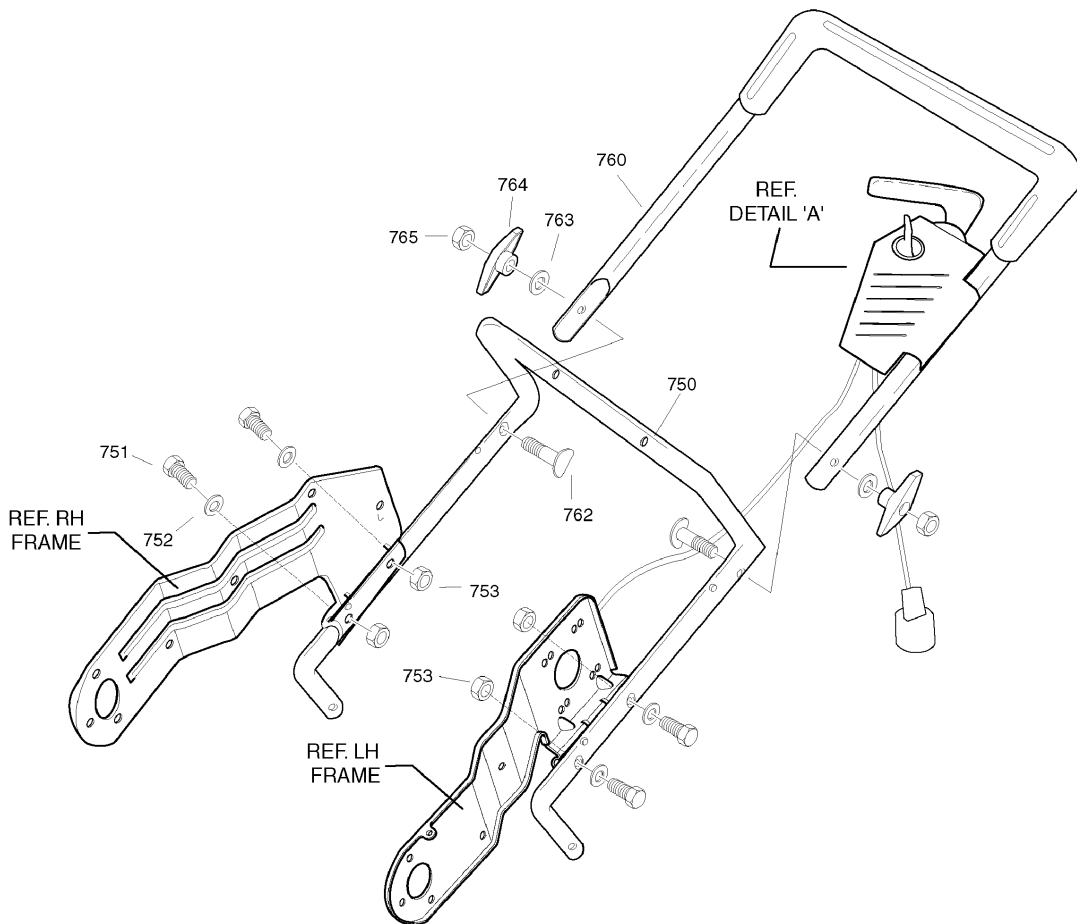
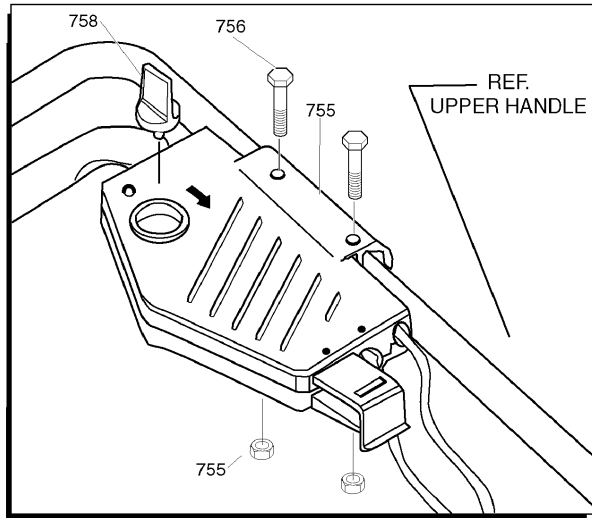


<b>PRODUCT COMPONENTS</b>	<b>PAGES</b>
Handle Assembly .....	4
Frame Assembly .....	6
Auger Housing Assembly .....	8
Discharge Chute Assembly .....	10
Chute Control Rod Assembly .....	12
Decals .....	14
Wheel Assembly .....	16
Belt Cover Assembly .....	18
Motor Assembly .....	20
Wiring Diagram .....	22
<b>Torque Specification Chart .....</b>	<b>Inside Back Cover</b>

# Handle Assembly

0011

**NOTE:** Unless noted otherwise,  
use the standard hardware torque  
specification chart.



**The above parts group applies to the following Mfg. Nos.:**  
620000x30ND - 1609458, Single Stage Snow Thrower

## **Handle Assembly**

---

<b>REF NO</b>	<b>PART NO.</b>	<b>DESCRIPTION</b>
750	313487E701MA	HANDLE, LOWER
751	313674MA	SCREW, 1/4-20 x 1.25
752	71067MA	FLATWASHER
753	73826MA	NUT, 1/4-20
755	342757MA	ASSEMBLY, SWITCH BOX
756	581060MA	SCREW, 10-24
757	71055MA	NUT, #10-24
758	583356MA	KEY, SWITCH BOX
760	761117MA	UPPER HANDLE ASSEMBLY
762	337584MA	BOLT, 5/16-18 x 2.00
763	311936MA	WASHER, FORMED
764	57171MA	T KNOB
765	71037MA	NUT, 5/16-18

## **Footnotes**

---

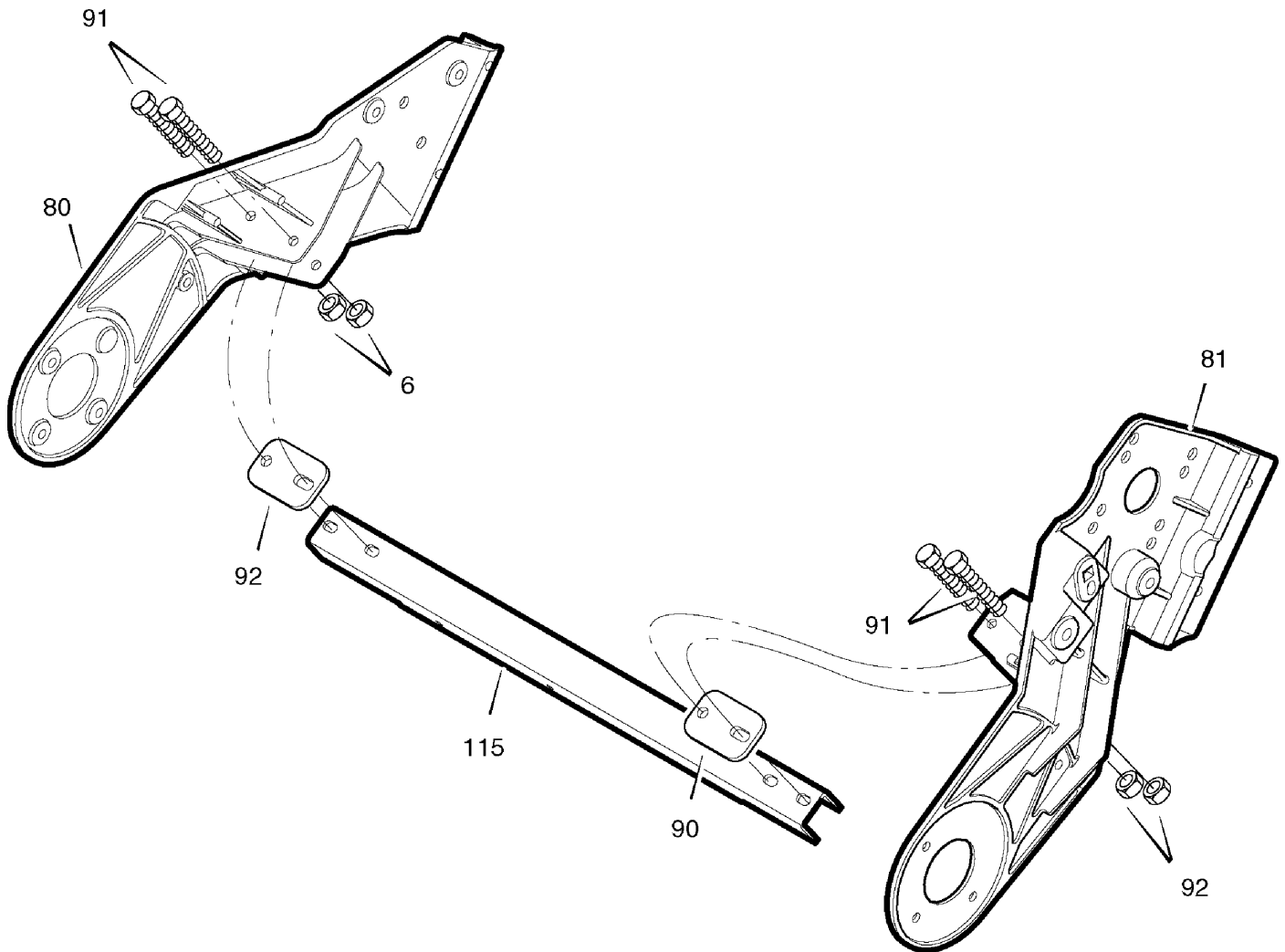
**The above parts group applies to the following Mfg. Nos.:**

620000x30ND - 1609458, Single Stage Snow Thrower

## Frame Assembly

0007

NOTE: Unless noted otherwise,  
use the standard hardware torque  
specification chart.



The above parts group applies to the following Mfg. Nos.:

620000x30ND - 1609458, Single Stage Snow Thrower

## **Frame Assembly**

---

<b>REF NO</b>	<b>PART NO.</b>	<b>DESCRIPTION</b>
80	333769E701MA	FRAME, SIDE RIGHT HAND
81	333767MA	FRAME, SIDE LEFT HAND
90	760982MA	CHANNEL SUPPORT
91	180044MA	SCREW, 1/4-20 x 2.00
92	73826MA	NUT, 1/4-20
115	334856MA	PLATE, BOLTING SUPPORT

### **Footnotes**

---

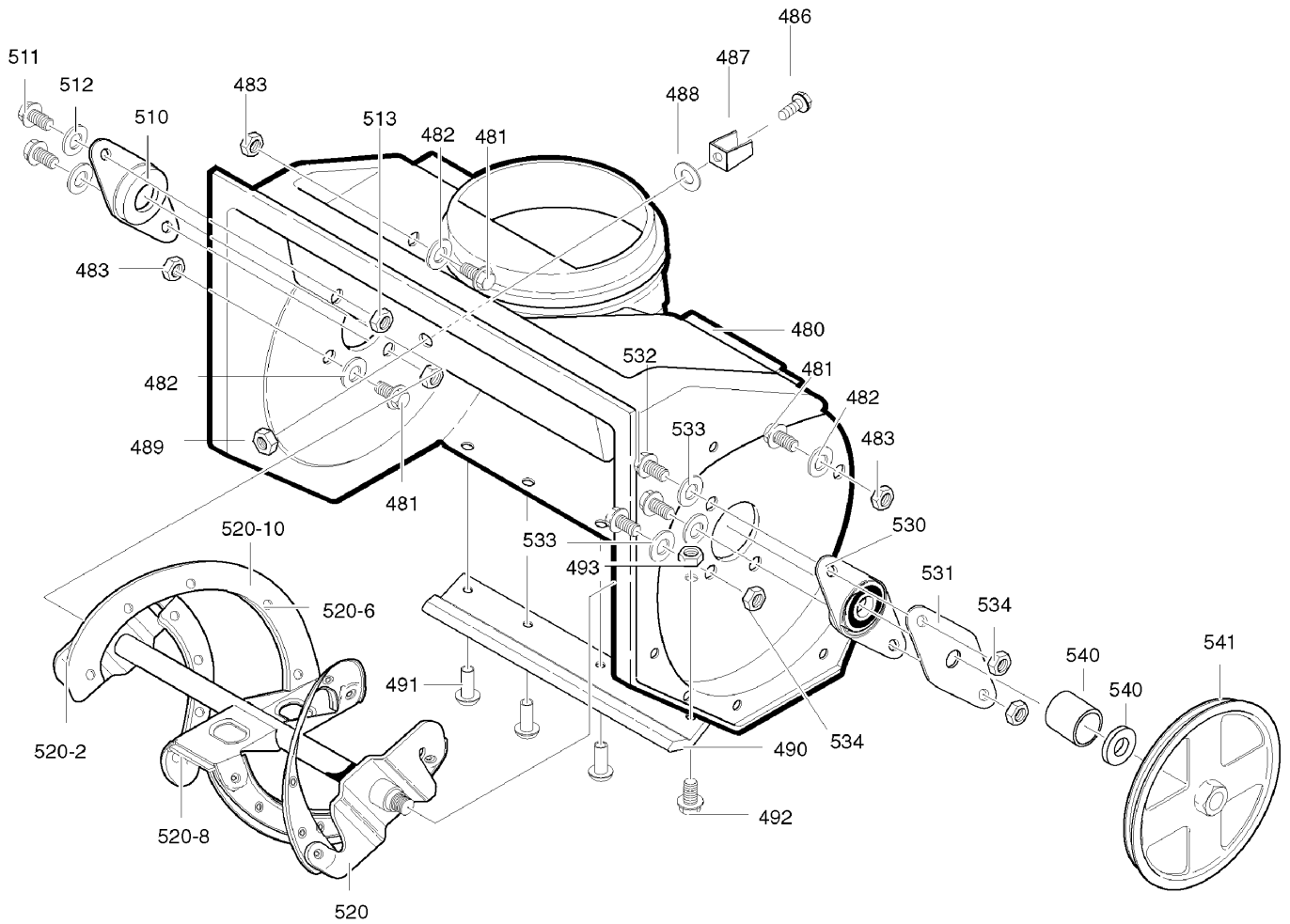
**The above parts group applies to the following Mfg. Nos.:**

620000x30ND - 1609458, Single Stage Snow Thrower

# Auger Housing Assembly

0005

**NOTE:** Unless noted otherwise,  
use the standard hardware torque  
specification chart.



**The above parts group applies to the following Mfg. Nos.:**  
620000x30ND - 1609458, Single Stage Snow Thrower



## Auger Housing Assembly

REF NO	PART NO.	DESCRIPTION
480	330312MA	HOUSING ASSEMBLY
481	302628MA	SCREW, 1/4-20 x .75
482	71067MA	FLATWASHER
483	73826MA	NUT, 1/4-20
486	579052MA	SCREW, 1/4-20 x .63
487	331126MA	BRACKET, STOP
488	331211MA	FLATWASHER
489	15X143MA	NUT, 1/4-20
490	55323MA	SCRAPER BAR
491	577707MA	RIVET
492	302628MA	SCREW, 1/4-20 x .75
493	15X143MA	NUT, 1/4-20
510	577023MA	FLANGE BEARING
511	710263MA	SCREW, 1/4-20 x 1.00
512	71067MA	FLATWASHER
513	15X143MA	NUT, 1/4-20
520	302783MA	AUGER ASSEMBLY
520-2	302565MA	AUGER BLADE
520-6	49838MA	RIVET
520-8	335992MA	CENTER BLADE
520-10	302783MA	AUGER & BLADE SUPPORT
530	583459MA	BEARING & PLATE ASSEMBLY
531	334287MA	BEARING RETAINER
532	579052MA	SCREW, 1/4-20 x 5/8
533	71067MA	FLATWASHER, .281 x .63 x .065
534	73826MA	NUT, 1/4-20
539	40677MA	FLATWASHER
540	578101MA	SPACER, SLEEVE
541	583363MA	PULLEY, POLY V -AUGER

### Footnotes

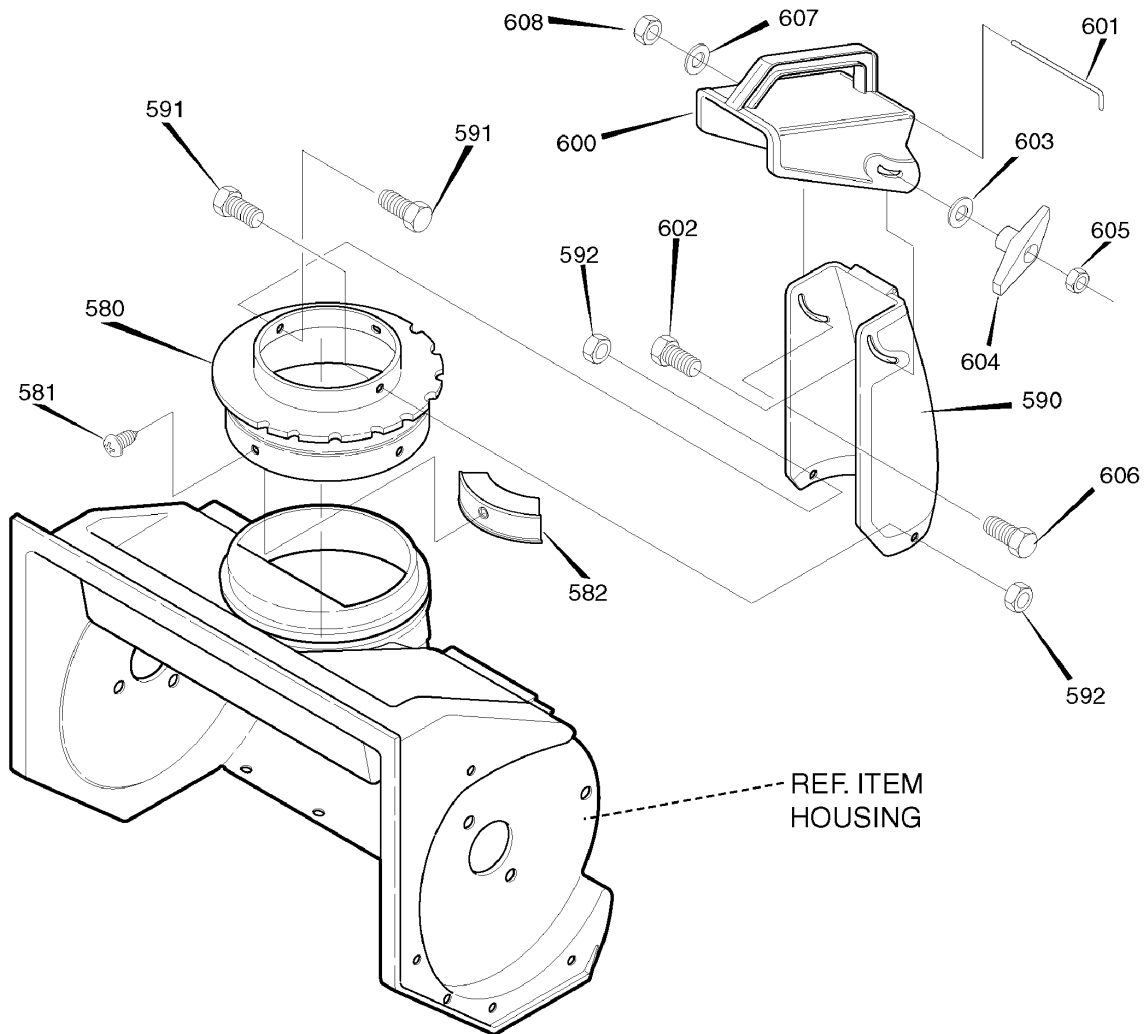
The above parts group applies to the following Mfg. Nos.:

620000x30ND - 1609458, Single Stage Snow Thrower

## Discharge Chute Assembly

0009

NOTE: Unless noted otherwise,  
use the standard hardware torque  
specification chart.



The above parts group applies to the following Mfg. Nos.:

620000x30ND - 1609458, Single Stage Snow Thrower

## ***Discharge Chute Assembly***

---

<b>REF NO</b>	<b>PART NO.</b>	<b>DESCRIPTION</b>
580	314239MA	RING, CHUTE
581	711752MA	SCREW, 1/4-20 x .50
582	577021MA	GUIDE, CHUTE
590	305862MA	LOWER CHUTE
591	313686MA	SCREW, 1/4-20 x .50
592	15X143MA	NUT, 1/4-20
600	305861MA	UPPER CHUTE
601	310562MA	WIRE HINGE
602	302843MA	BOLT, 5/16-18 x 1.25
603	71071MA	FLATWASHER
604	57171MA	T KNOB
605	71037MA	NUT, 5/16-18
606	578088MA	SCREW, 5/16-18 x .756
607	71071MA	FLATWASHER
608	71391MA	NUT, 5/16-18

### **Footnotes**

---

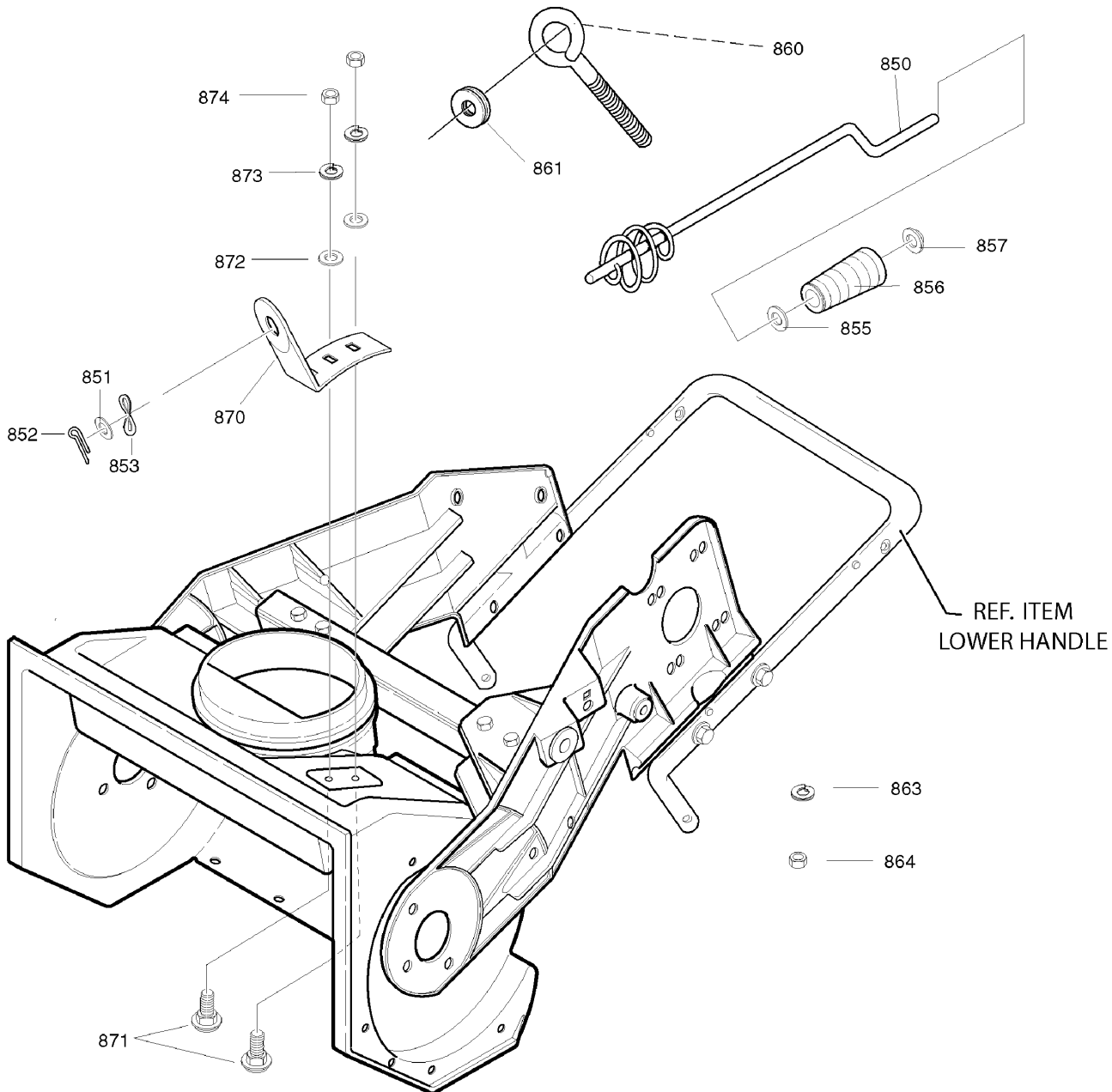
**The above parts group applies to the following Mfg. Nos.:**

620000x30ND - 1609458, Single Stage Snow Thrower

# Chute Control Rod Assembly

0017

NOTE: Unless noted otherwise,  
use the standard hardware torque  
specification chart.



The above parts group applies to the following Mfg. Nos.:  
620000x30ND - 1609458, Single Stage Snow Thrower

## **Chute Control Rod Assembly**

---

<b>REF NO</b>	<b>PART NO.</b>	<b>DESCRIPTION</b>
850	314996MA	ROD, ASSEMBLY UPPER CHUTE
851	71072MA	FLATWASHER
852	71082MA	COTTER PIN
853	313431MA	WASHER, CURVED SPRING
855	71072MA	FLATWASHER
856	57082MA	KNOB, SLEEVE
857	331532MA	NUT, PUSH
860	313712MA	EYE BOLT 3/8-16 x 2.00
861	148MA	GROMMET, EYE BOLT
863	71062MA	WASHER, SPLIT LOCK
864	71045MA	NUT, 3/8-16
870	333946E701MA	BRACKET, CHUTE ROTATE
871	340720MA	BOLT, 5/16-18 x .75
872	71071MA	FLATWASHER
873	71060MA	WASHER, SPLIT LOCK
874	71037MA	NUT, 5/16-18

### **Footnotes**

---

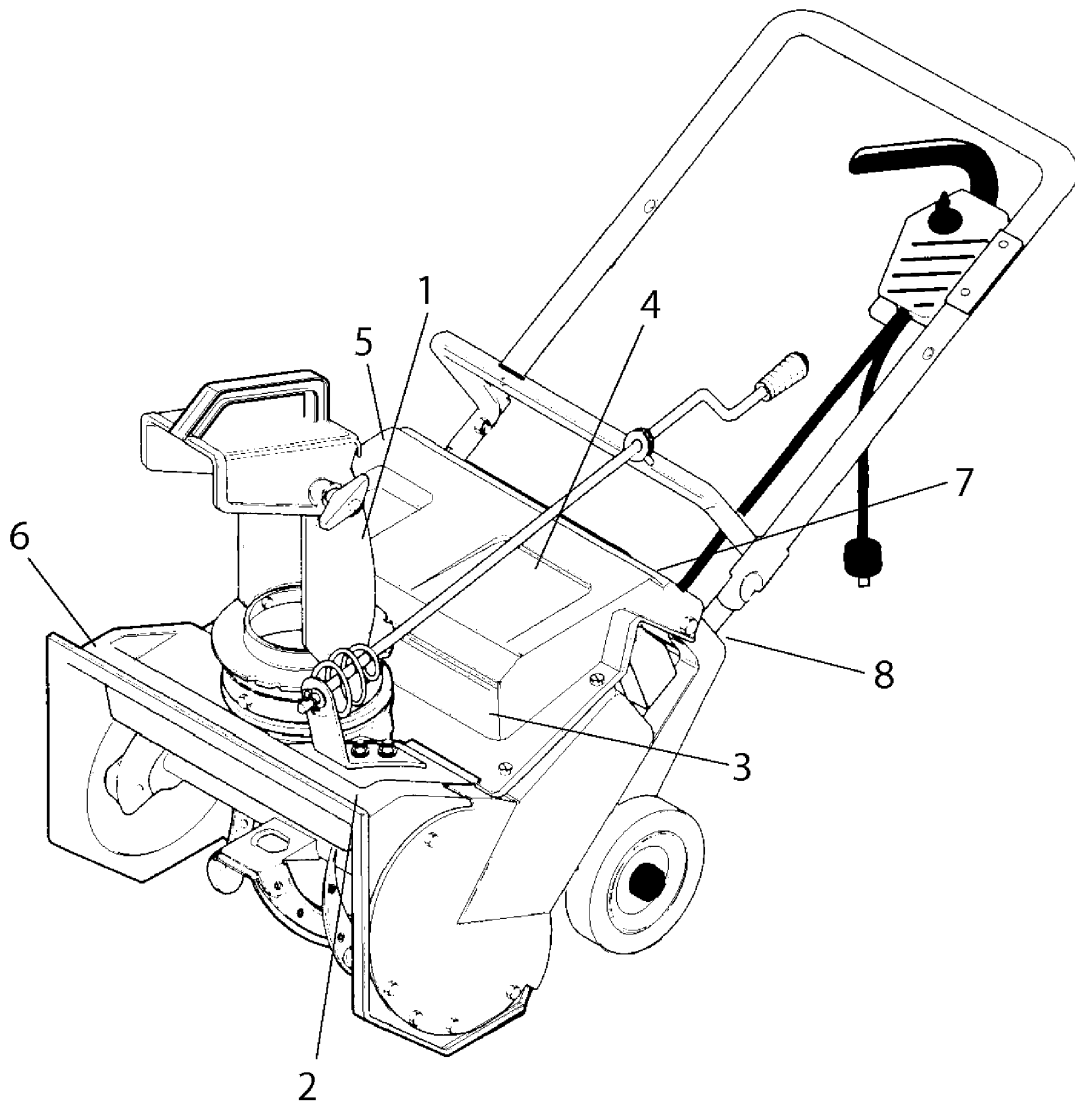
**The above parts group applies to the following Mfg. Nos.:**

620000x30ND - 1609458, Single Stage Snow Thrower

## Decals

NOTE: Unless noted otherwise,  
use the standard hardware torque  
specification chart.

0021



The above parts group applies to the following Mfg. Nos.:

620000x30ND - 1609458, Single Stage Snow Thrower

## **Decals**

---

<b>REF NO</b>	<b>PART NO.</b>	<b>DESCRIPTION</b>
1	48X5643MA	DECAL, DANGER CHUTE FR/EN
2	48X5644MA	DECAL, DANGER AUGER FR/EN
3	48X5544MA	DECAL, 12 AMP/20"
4	584972MA	DECAL, DANGER READ MANUAL
5	584977MA	DECAL, 20" ELECTRIC BILING
6	48X5641MA	DECAL, DANGER CHUTE 20 EL
7	761185MA	DECAL, WARNING/CAUTION
8	783027MA	DECAL, WARNING CUTOUT PRT F/E

## **Footnotes**

---

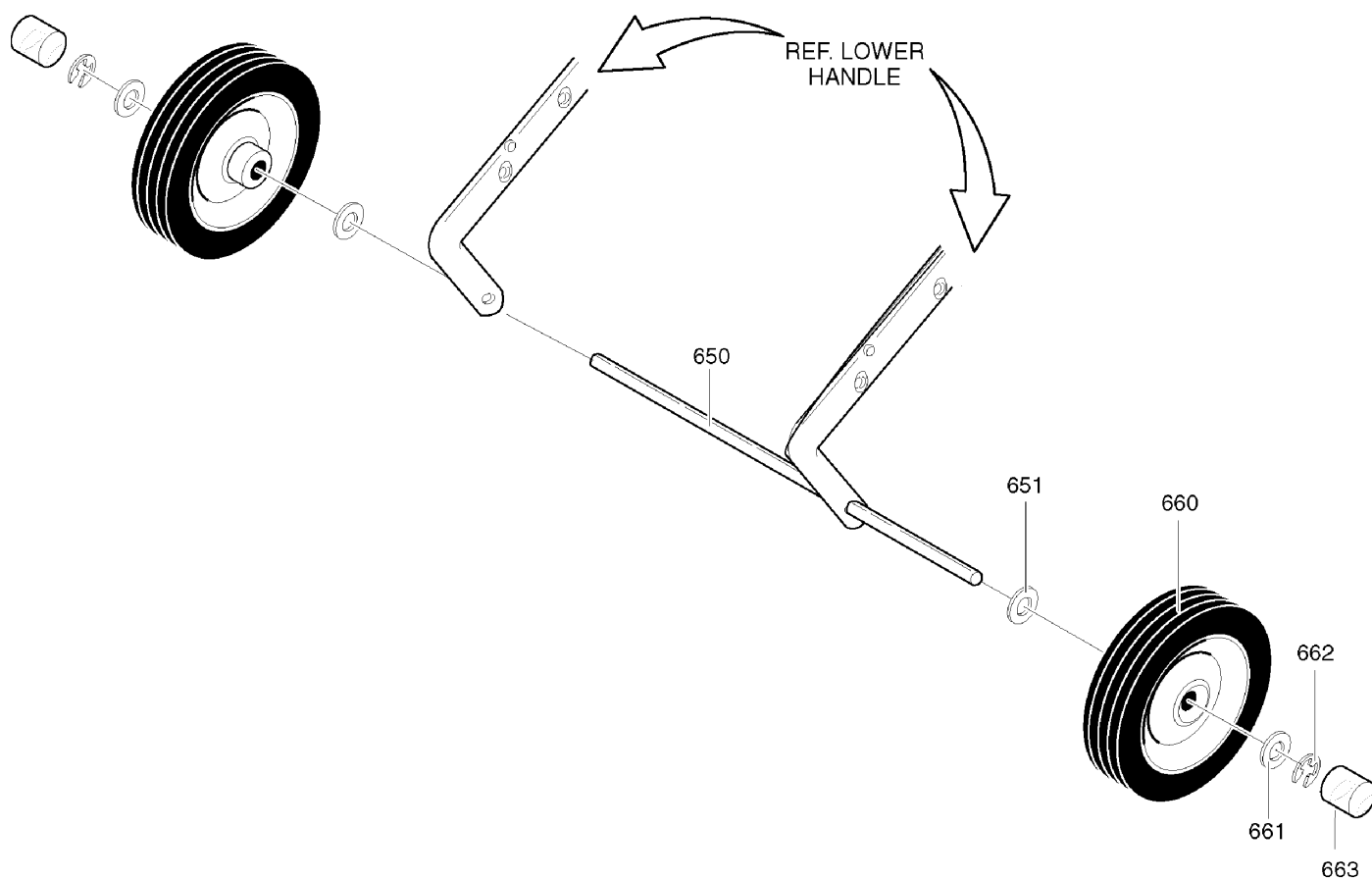
**The above parts group applies to the following Mfg. Nos.:**

620000x30ND - 1609458, Single Stage Snow Thrower

## Wheel Assembly

0013

**NOTE:** Unless noted otherwise,  
use the standard hardware torque  
specification chart.



**The above parts group applies to the following Mfg. Nos.:**

620000x30ND - 1609458, Single Stage Snow Thrower



## **Wheel Assembly**

---

<b>REF NO</b>	<b>PART NO.</b>	<b>DESCRIPTION</b>
650	313678MA	AXLE, 7 x 1.5
651	583409MA	FLATWASHER
660	760713MA	TIRE & RIM
661	583409MA	FLATWASHER
662	577598MA	E RING
663	577037MA	HUB CAP

### **Footnotes**

---

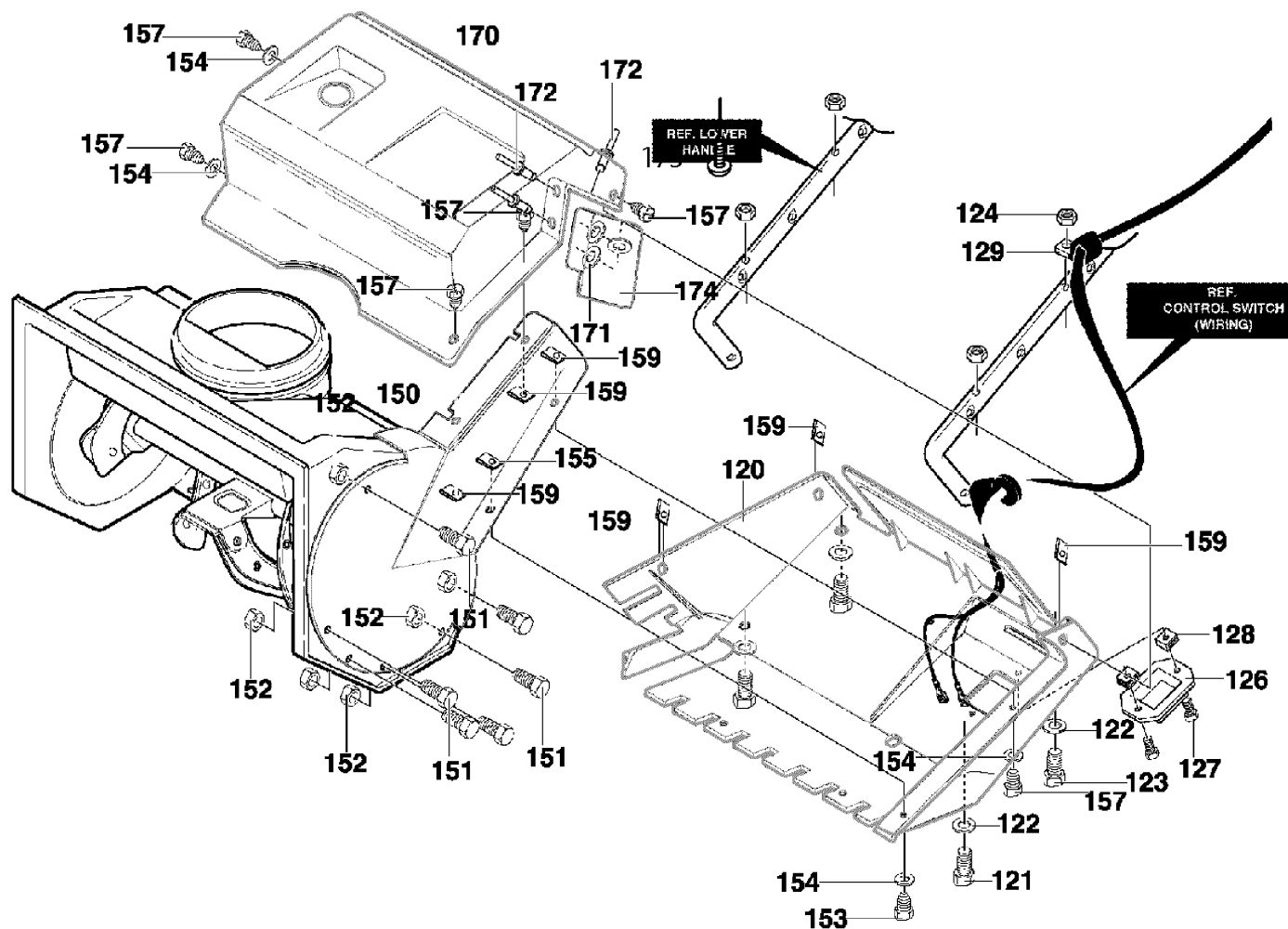
**The above parts group applies to the following Mfg. Nos.:**

620000x30ND - 1609458, Single Stage Snow Thrower

## Belt Cover Assembly

0015

NOTE: Unless noted otherwise,  
use the standard hardware torque  
specification chart.



The above parts group applies to the following Mfg. Nos.:

620000x30ND - 1609458, Single Stage Snow Thrower

## ***Belt Cover Assembly***

---

<b>REF NO</b>	<b>PART NO.</b>	<b>DESCRIPTION</b>
120	584589MA	BOTTOM COVER
121	313674MA	SCREW, 1/4-20 x 1.25
122	71067MA	FLATWASHER
123	70971MA	SCREW, 1/4-20 x 1.50
124	73826MA	NUT, 1/4-20
126	326212MA	CABRURATOR COVER
127	313685MA	SCREW, 1/4-14 x .75
128	578109MA	NUT, 1/4-10
129	583435MA	CABLE CLIP
150	57036MA	COVER, BELT
151	12342MA	SCREW, 10-24 x .50
152	312300MA	NUT, #10-24
153	579052MA	SCREW, 1/4-20 x .50
154	71067MA	FLATWASHER
155	578107MA	NUT, 1/4-20
157	313685MA	SCREW, 1/4-14 x .75
159	578109MA	NUT, 1/4-10
170	584590MA	TOP COVER
171	901736MA	FLATWASHER
172	902973MA	RIVET
174	58046MA	SIDE COVER
175	26x292MA	SCREW 10-14 x 0.63

### **Footnotes**

---

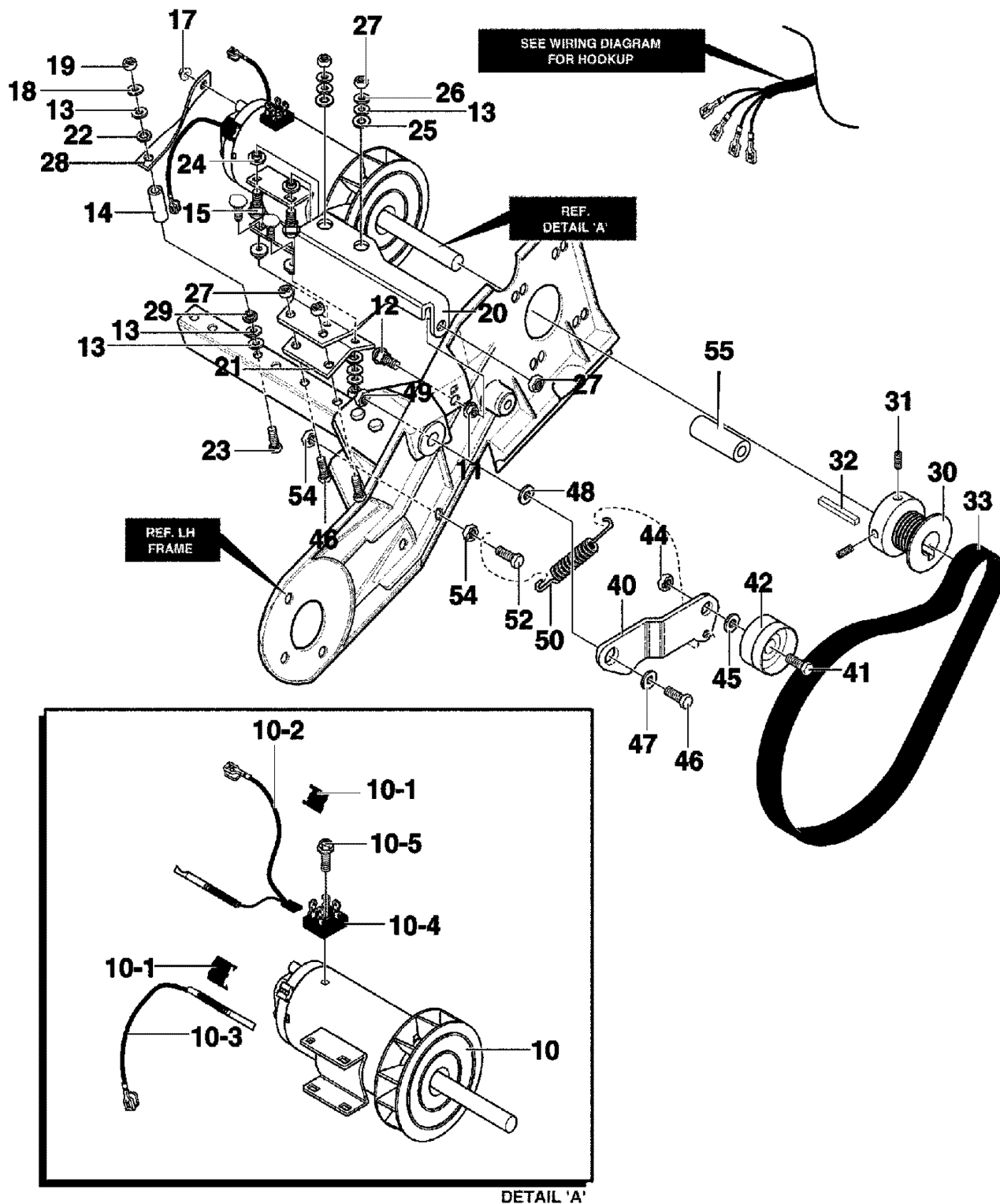
**The above parts group applies to the following Mfg. Nos.:**

620000x30ND - 1609458, Single Stage Snow Thrower

# Motor Assembly

0003

NOTE: Unless noted otherwise, use the standard hardware torque specification chart.



The above parts group applies to the following Mfg. Nos.:  
620000x30ND - 1609458, Single Stage Snow Thrower

## Motor Assembly

REF NO	PART NO.	DESCRIPTION
10	760912MA	MOTOR, ELECTRIC
10-1	761142MA	BRUSH CAP
10-2	761143MA	BRUSH CUT-OUT ASSEMBLY
10-3	761144MA	BRUSH ASSEMBLY
10-4	761146MA	RECTIFIER
10-5	761145MA	SCREW, 10-24
11	710288MA	NUT RETAINER
12	340720MA	BOLT, 5/16-18 x .75
13	6711MA	PLASTIC WASHER
14	761203MA	TUBE, INSULATOR
15	3316MA	BOLT, 5/16-18 x 1.00
17	312300MA	NUT, #10-24
18	71067MA	FLATWASHER
19	73826MA	NUT, 1/4-20
20	760932E701MA	BRACKET, UPPER MOTOR MOUNT
21	760931E701MA	BRACKET, LOWER MOTOR MOUNT
22	583372MA	FLATWASHER, NYLON
23	710263MA	SCREW, 1/4-20 x 1.00
24	760934MA	INSULATOR, MOTOR
25	760933MA	INSULATOR WASHER
26	71071MA	FLATWASHER
27	71038MA	NUT, 5/16-18
28	760984E701MA	BRACE, MOTOR
29	583371MA	SHOULDER WASHER, NYLON
30	760981MA	PULLEY, MOTOR
31	102570MA	SCREW, 1/4-20 x .38
32	71095MA	SQUARE KEY
33	37X135MA	BELT
40	583395MA	IDLER BRACKET
41	710082MA	SCREW, 3/8-16 x 1.50
42	583391MA	IDLER PULLEY
44	590MA	NUT, 3/8-16
45	71072MA	FLATWASHER
46	313676MA	SCREW, 5/16-18 x .75
47	71071MA	FLATWASHER
48	53794MA	SPACER, SLEEVE
49	71391MA	NUT, 5/16-18
50	760988MA	IDLER SPRING -AUGER DRIVE
52	308231MA	SCREW, 1/4-20 x 1.25
54	71034MA	NUT, 1/4-20
55	1501906MA	INSULATOR, TUBE
--	1740072SM	MANUAL, OWNER'S

### Footnotes

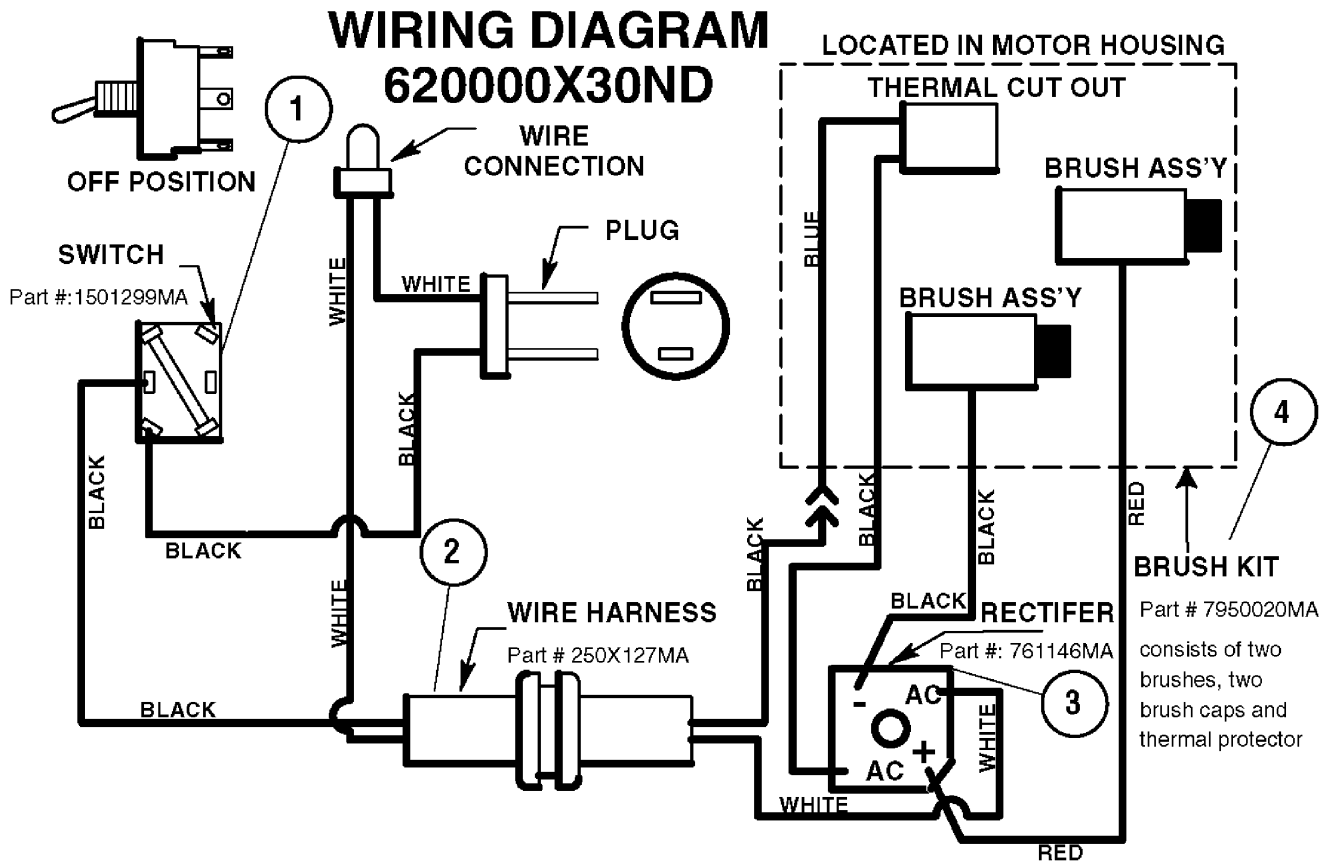
The above parts group applies to the following Mfg. Nos.:

620000x30ND - 1609458, Single Stage Snow Thrower

# Wiring Diagram

0019

NOTE: Unless noted otherwise, use the standard hardware torque specification chart.



The above parts group applies to the following Mfg. Nos.:  
620000x30ND - 1609458, Single Stage Snow Thrower

## **Wiring Diagram**

---

<b>REF NO</b>	<b>PART NO.</b>	<b>DESCRIPTION</b>
1	342757MA	ASSEMBLY, SWITCH BOX
2	250X127MA	WIRE HARNESS
3	761146MA	RECTIFIER
4	7950020MA	BRUSH KIT

---

### **Footnotes**

---

**The above parts group applies to the following Mfg. Nos.:**

620000x30ND - 1609458, Single Stage Snow Thrower



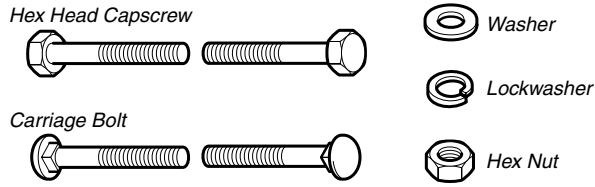






# Hardware Identification & Torque Specifications

## Common Hardware Types

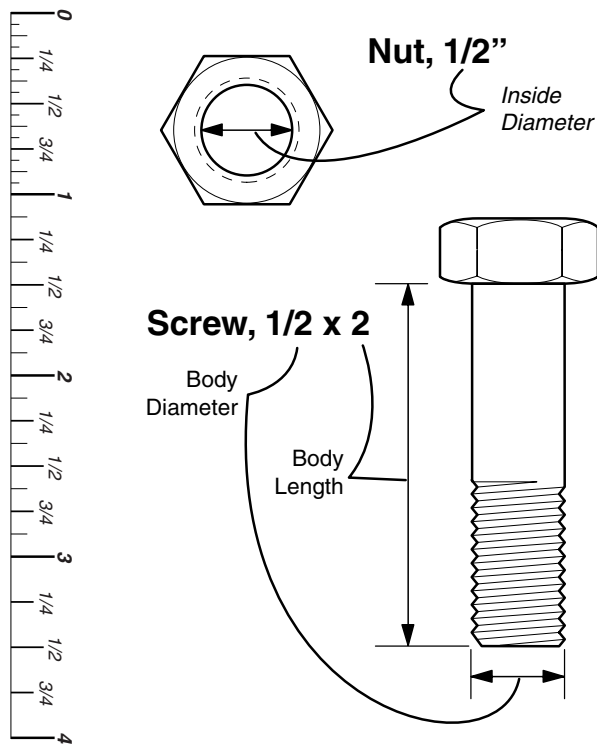


## Standard Hardware Sizing

When a washer or nut is identified as 1/2", this is the *Nominal size*, meaning the *inside diameter* is 1/2 inch; if a second number is present it represents the *threads per inch*

When bolt or capscrew is identified as 1/2 - 16 x 2", this means the *Nominal size*, or *body diameter* is 1/2 inch; the second number represents the *threads per inch* (16 in this example, and the final number is the *body length* of the bolt or screw (in this example 2 inches long).

**The guides and ruler furnished below are designed to help you select the appropriate hardware and tools.**



## Torque Specification Chart

FOR STANDARD MACHINE HARDWARE (Tolerance ± 20%)

Hardware Grade	No Marks SAE Grade 2		SAE Grade 5		SAE Grade 8	
	in/lbs ft/lbs	Nm.	in/lbs ft/lbs	Nm.	in/lbs ft/lbs	Nm.
8-32	19	2.1	30	3.4	41	4.6
8-36	20	2.3	31	3.5	43	4.9
10-24	27	3.1	43	4.9	60	6.8
10-32	31	3.5	49	5.5	68	7.7
1/4-20	66	7.6	8	10.9	12	16.3
1/4-28	76	8.6	10	13.6	14	19.0
5/16-18	11	15.0	17	23.1	25	34.0
5/16-24	12	16.3	19	25.8	27	34.0
3/8-16	20	27.2	30	40.8	45	61.2
3/8-24	23	31.3	35	47.6	50	68.0
7/16-14	30	40.8	50	68.0	70	95.2
7/16-20	35	47.6	55	74.8	80	108.8
1/2-13	50	68.0	75	102.0	110	149.6
1/2-20	55	74.8	90	122.4	120	163.2
9/16-12	65	88.4	110	149.6	150	204.0
9/16-18	75	102.0	120	163.2	170	231.2
5/8-11	90	122.4	150	204.0	220	299.2
5/8-18	100	136	180	244.8	240	326.4
3/4-10	160	217.6	260	353.6	386	525.0
3/4-16	180	244.8	300	408.0	420	571.2
7/8-9	140	190.4	400	544.0	600	816.0
7/8-14	155	210.8	440	598.4	660	897.6
1-8	220	299.2	580	788.8	900	1,244.0
1-12	240	326.4	640	870.4	1,000	1,360.0

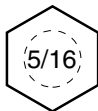
### NOTES

- These torque values are to be used for all hardware excluding: locknuts, self-tapping screws, thread forming screws, sheet metal screws and socket head setscrews.
- Recommended seating torque values for locknuts:
  - for prevailing torque locknuts - use 65% of grade 5 torques.
  - for flange whizlock nuts and screws - use 135% of grade 5 torques.
- Unless otherwise noted on assembly drawings, all torque values must meet this specification.

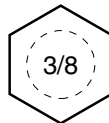
## Wrench & Fastener Size Guide



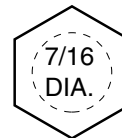
1/4" Bolt or Nut  
Wrench—7/16"



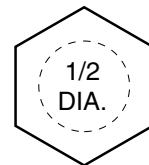
5/16" Bolt or Nut  
Wrench—1/2"



3/8" Bolt or Nut  
Wrench—9/16"



7/16" Bolt or Nut  
Wrench (Bolt)—5/8"  
Wrench (Nut)—11/16"



1/2" Bolt or Nut  
Wrench—3/4"

