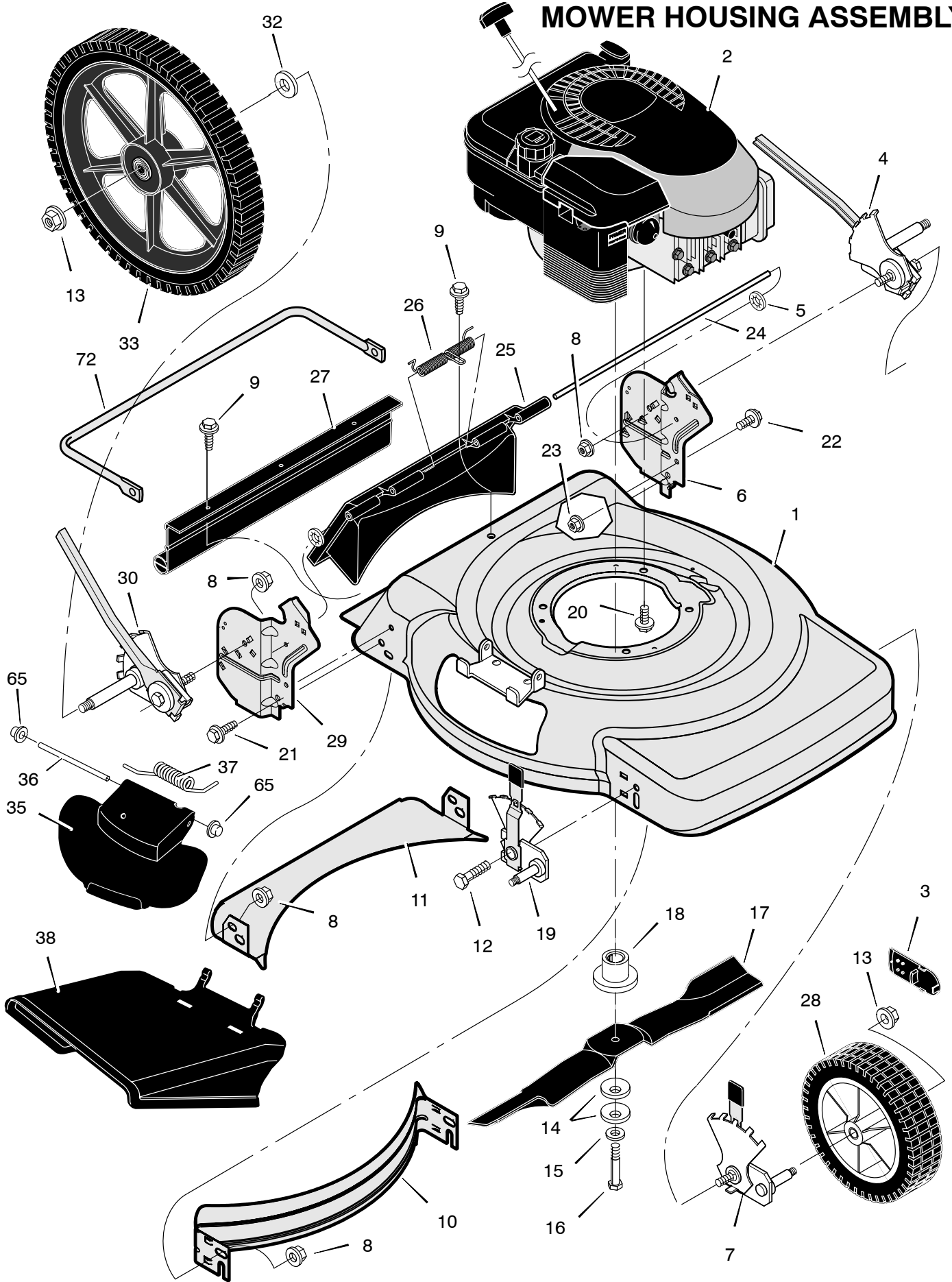


MODEL NO. 223310x8B

MOWER HOUSING ASSEMBLY



MODEL NO. 223310x8B

MOWER HOUSING ASSEMBLY

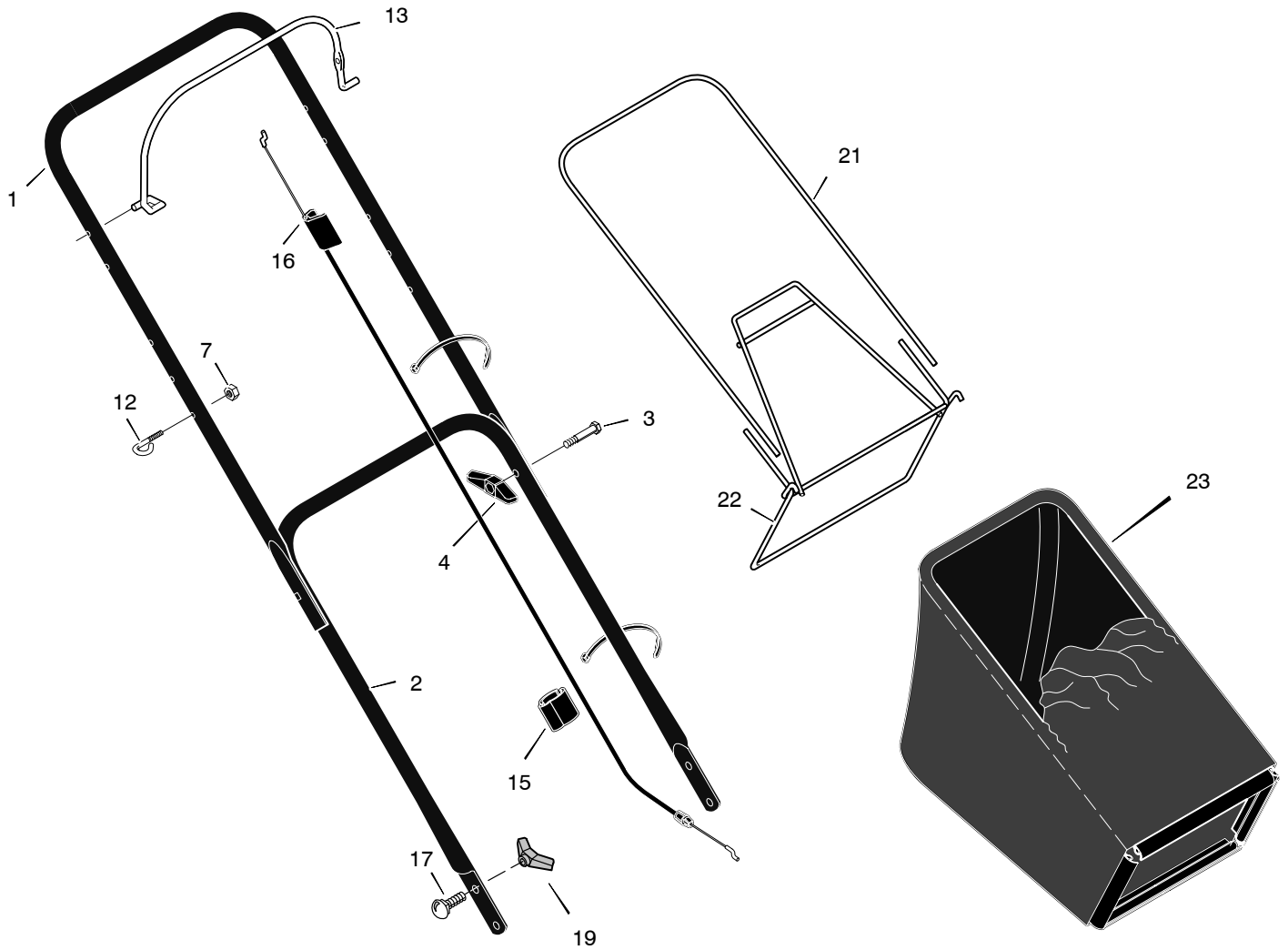
KEY NO.	DESCRIPTION	PART NO.	KEY NO.	DESCRIPTION	PART NO.
1	Housing	7501004	22	Bolt	001x45
2	Engine, Briggs & Stratton	*	23	Nut, Flange	015x79
3	Cap, Hub (Optional)	043615	24	Rod, Pivot +	215x21
4	Adjuster, Left Rear Height	1102031	25	Door, Rear (Black)	1101070
5	Retainer, Push +	028x49	26	Spring +	166x44
6	Bracket, Left Handle	1101245E700	27	Guard, Rear	672684
7	Adjuster, Left Front Height	1102033	28	Wheel & Tire	071132
8	Nut, Flange	015x68	29	Bracket, Right Handle	1101244E700
9	Screw	26x245	30	Adjuster, Right Rear Height	1102030
10	Baffle, Front	672915E701	32	Washer	017x91
11	Baffle, Rear	672916E701	33	Wheel, Rear	071841
14	Washer, Belleville	17x137	34	Washer	0020x3
15	Washer	17x124	35	Cover, Mulch (Black)	1101098
16	Bolt	01x153	36	Rod, Pivot	215x19 Z
17	Blade	1101120E701	37	Spring, Torsion	166x38
18	Adapter, Blade	672503	38	Deflector, Chute (Black)	1101097
19	Adjuster, Right Front Height	1102032	65	Push On Cap	028x42
20	Bolt, Engine	0025x6	72	Brace	1101008E701
21	Bolt	001x85	—	Instruction Book	F-040445L

* For information on Replacement Parts for this engine contact the manufacturer.

+ Included with Key No. 25.

MODEL NO. 223310x8B

HANDLE & BAG ASSEMBLY



KEY NO.	DESCRIPTION	PART NO.
1	Handle, Upper (Black)	1101829E701
2	Handle, Lower (Black)	672906E701
3	Bolt	002x77
4	Knob, Plastic	071294
7	Locknut	15x116
12	Guide, Rope	071530
13	Lever, Engine Stop	1101964E701

KEY NO.	DESCRIPTION	PART NO.
15	Clip, Cable	1101353
16	Engine Stop Cable	1102001
17	Bolt, Carriage	002x81
19	Knob, Plastic	071495
21	Tube, Bag	1101075
22	Frame Assembly	1101074
23	Bag, Cloth – Black	1101387