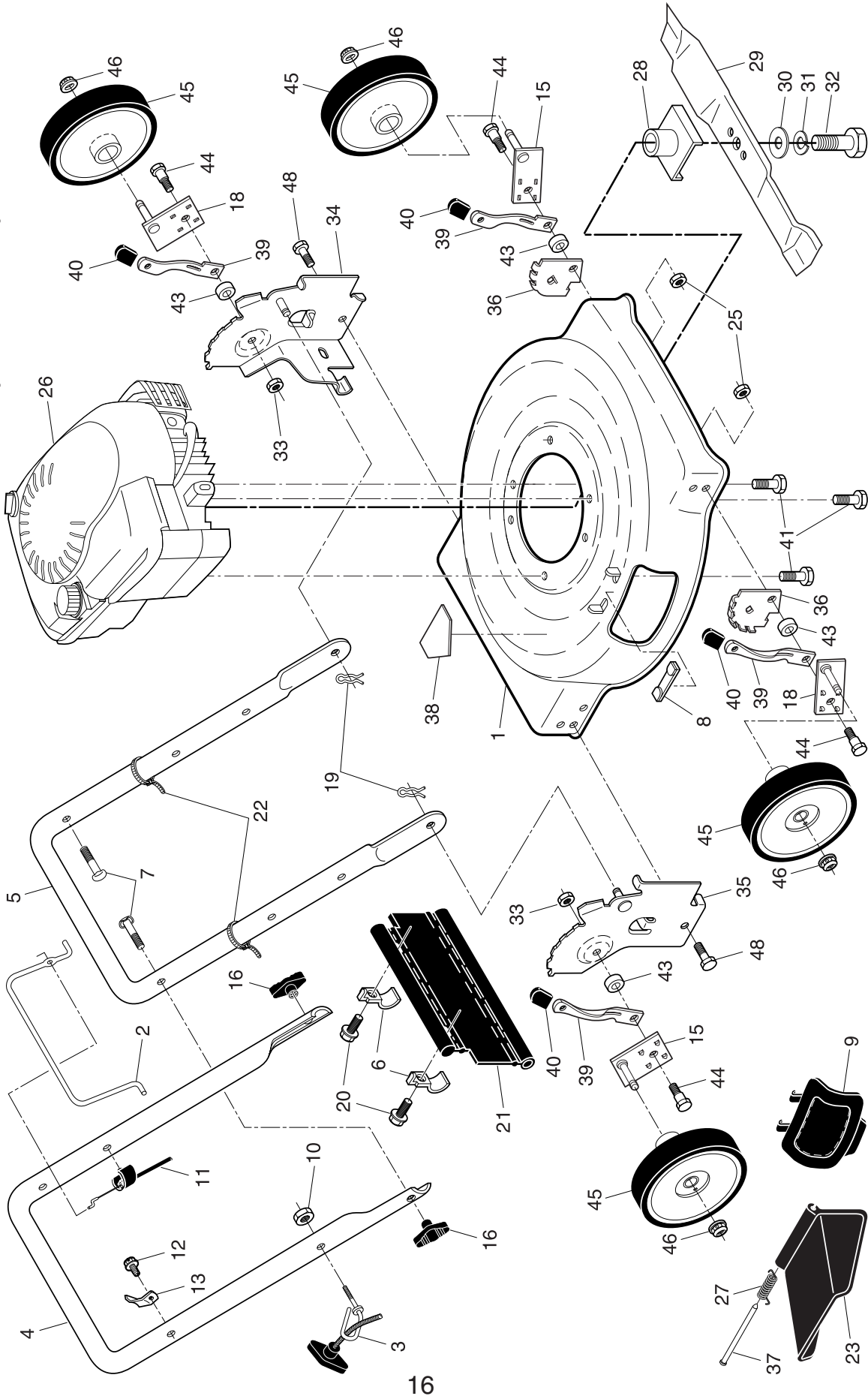


REPAIR PARTS

ROTARY LAWN MOWER -- MODEL NUMBER 224110X92 (224110X92E2)



ROTARY LAWN MOWER -- MODEL NUMBER 224110X92 (224110X92E2)

KEY PART NO.	DESCRIPTION	KEY PART NO.	DESCRIPTION
1	198204 Lawn Mower Housing Assembly (Includes Key Number 38)	27	193436 Torsion Spring
2	194177X428 Control Bar	28	193707 Blade Adapter
3	179585 Rope Guide	29	141114 22" Blade
4	194179X479 Upper Handle	30	851074 Hardened Washer
5	169708X479 Lower Handle	31	850263 Helical Lockwasher 3/8
6	192301X004 Hinge Bracket	32	851084 Hex Head Screw 3/8-24 x 1/4 Grade 8
7	191574 Handle Bolt 5/16-18	33	73930500 Nut, Hex, Centerlock 5/16-18
8	161622 Clip, Closeout	34	168164X479 Support, Wheel Bracket, LH
9	160830 Mulcher Plate	35	168165X479 Support, Wheel Bracket, RH
10	132004 Locknut, Hex 1/4-20	36	160835X007 Adjuster, Wheel Bracket
11	158152 Engine Zone Control Cable	37	160833 Hinge Rod
12	750634 Screw, Hex Head, Threaded, Rolled #10-24 x1/2	38	85463 Danger Decal
13	86899X004 Up-Stop Bracket	39	168360X004 Selector Spring
15	186577X004 Axle Arm Assembly (Rear, RH / Front, LH)	40	87877 Selector Knob
16	189713X428 Handle Knob	43	183901 Washer
18	186578X004 Axle Arm Assembly (Rear, LH / Front, RH)	44	160828 Shoulder Bolt
19	51793 Hairpin Cotter	46	83923 Locknut, Hex 3/8-16
20	750097 Screw	45	193851X460 Wheel & Tire Assembly
21	188987 Rear Deflector	48	17600406 Screw, Hex Head, Serrated, Type TT 1/4 x 20
22	66426 Wire Tie	41	150406 Screw, Hex Head, Threaded, Rolled 3/8-16 x 1
23	160831 Discharge Guard	--	161058 Warning Decal (not shown)
25	166785 Nut, Hex	--	199365 Owner's Manual
26	--- Engine, Briggs & Stratton, Model Number 120K02 (For engine service and replacement parts, call Briggs & Stratton at 1-800-233-3723)		

NOTE: All component dimensions given in U.S. inches. 1 inch = 25.4 mm. **IMPORTANT:** Use only Original Equipment Manufacturer (O.E.M.) replacement parts. Failure to do so could be hazardous, damage your lawn mower and void your warranty.