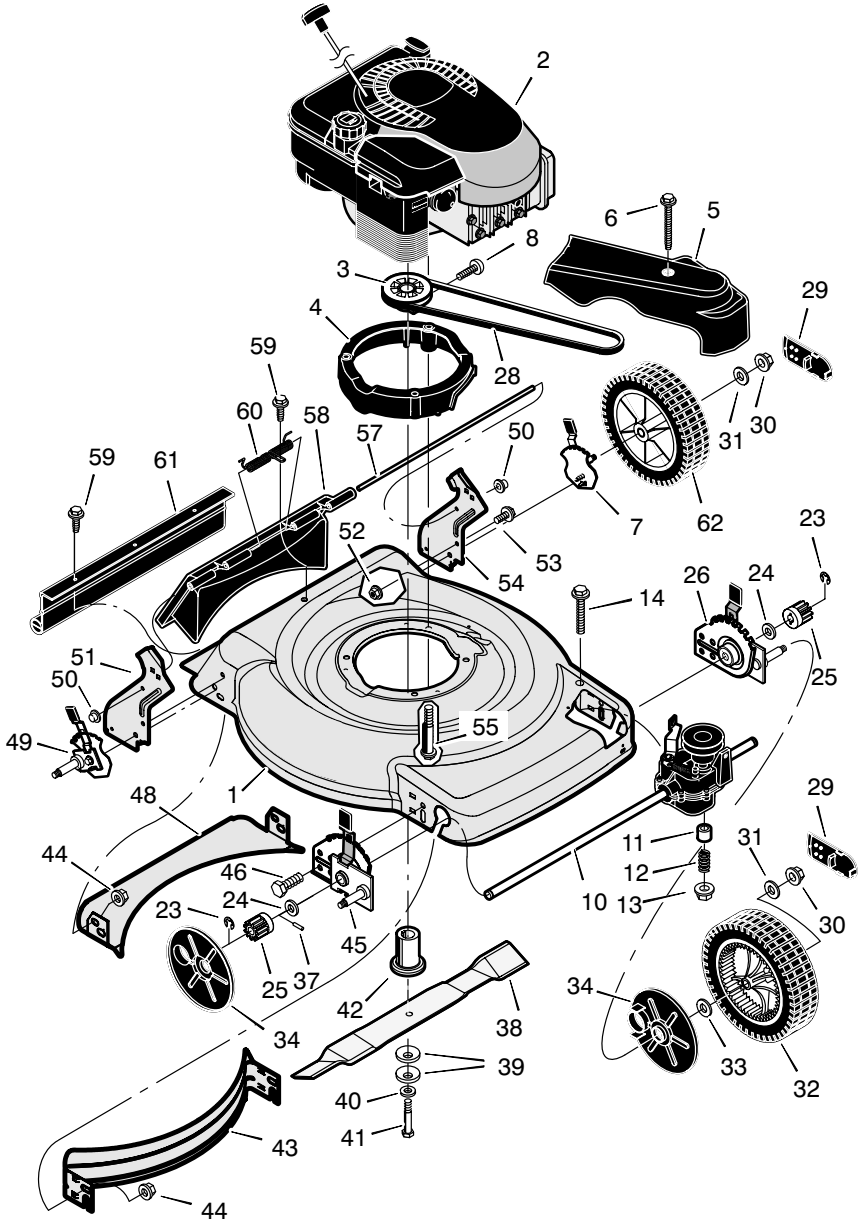


MULCHER MODELS



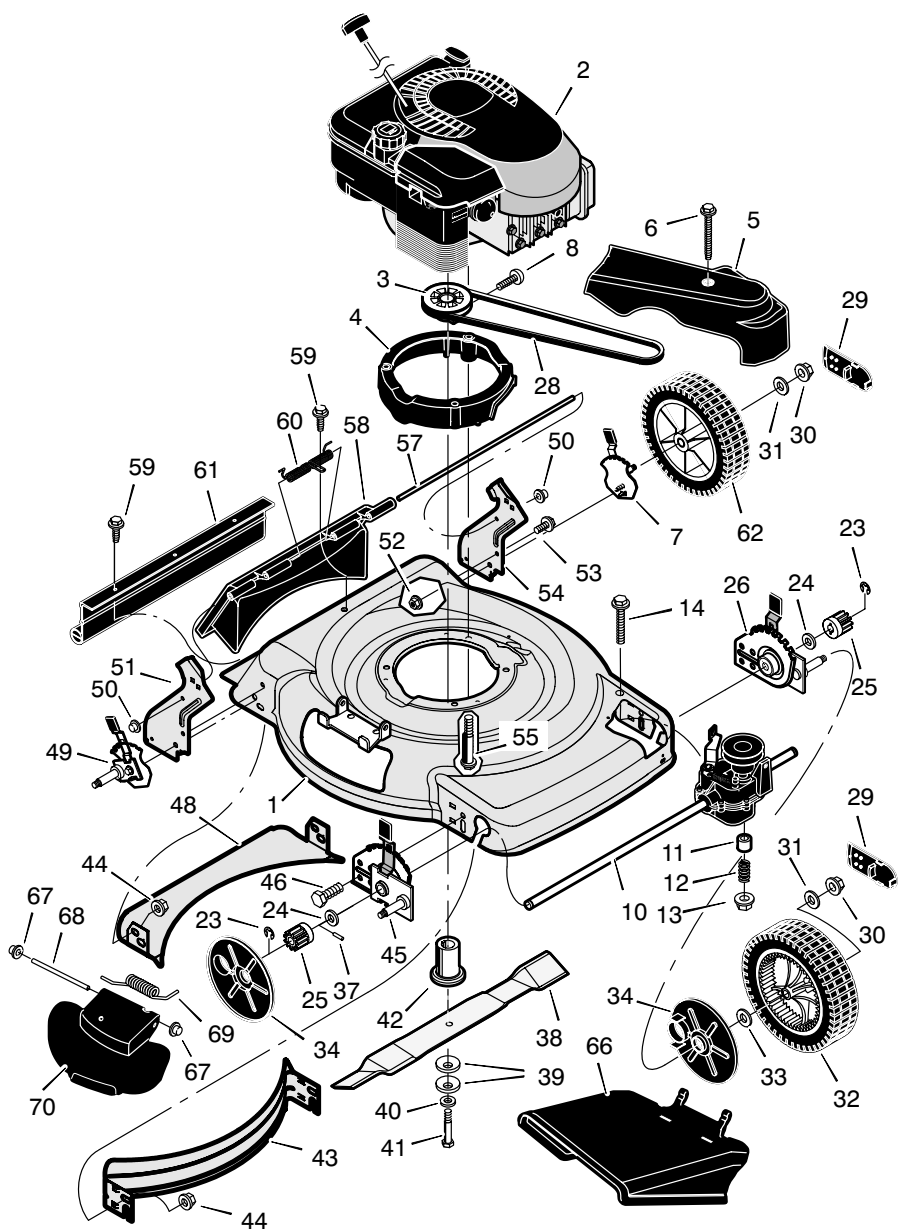
MULCHER MODELS

KEY NO.	DESCRIPTION	PART NO.	KEY NO.	DESCRIPTION	PART NO.
1	Housing	1101340E717	34	Cover, Dust	071780
2	Engine *	-----	37	Pin, Drive	043629
3	Pulley, Drive	1101653	38	Blade	1101120E701
4	Spacer, Engine (Black)	1101331	39	Washer, Belleville	17x137
	Spacer, Engine (Gray)	1101332	40	Washer	17x124
5	Cover, Belt (Black)	1101596	41	Bolt	01x144
	Cover, Belt (Gray)	1101568	42	Adapter, Blade	1101336
6	Screw	26x302	43	Baffle, Front **	672915E700
7	Adjuster, Left Rear Height	672605	44	Nut, Flange	015x68
8	Screw	26x303	45	Adjuster, Right Front Height	1101028
10	Transmission - Note: There are no internal serviceable parts for the transmission.	1101571	46	Bolt	001x85
			48	Baffle, Rear **	672916E700
11	Spacer	043844	49	Adjuster, Right Rear Height	672604
12	Spring, Compression	710327	50	Push On Cap	028x49
13	Nut	015x88	51	Bracket, Right Handle	1101238E701
14	Bolt	01x156	52	Nut, Flange	015x79
23	E-Ring	011x16	53	Bolt	001x45
24	Washer	17x186	54	Bracket, Left Handle	1101239E701
25	Gear, Pinion	071792	55	Bolt, Engine	025x11
26	Adjuster, Left Front Height	1101029	57	Rod, Pivot	215x21
28	Belt	37x123	58	Door, Rear (Black)	672611
				Door, Rear (Gray)	672713
29	Cap, Hub	672122	59	Screw	26x245
30	Nut, Flange	015x84	60	Spring	166x44
31	Washer	17x169	61	Guard, Rear	1101105
32	Wheel & Tire, Front	071133	62	Wheel & Tire, Rear	071132
33	Washer	017x75	--	Book, Instruction	F-030427L

* Parts are available from an Authorized Engine Service Center. See "Engines, Gasoline" or "Gasoline Engines" in the yellow pages of the telephone directory.

** Included with Housing, Key No. 1.

SIDE DISCHARGE MODELS



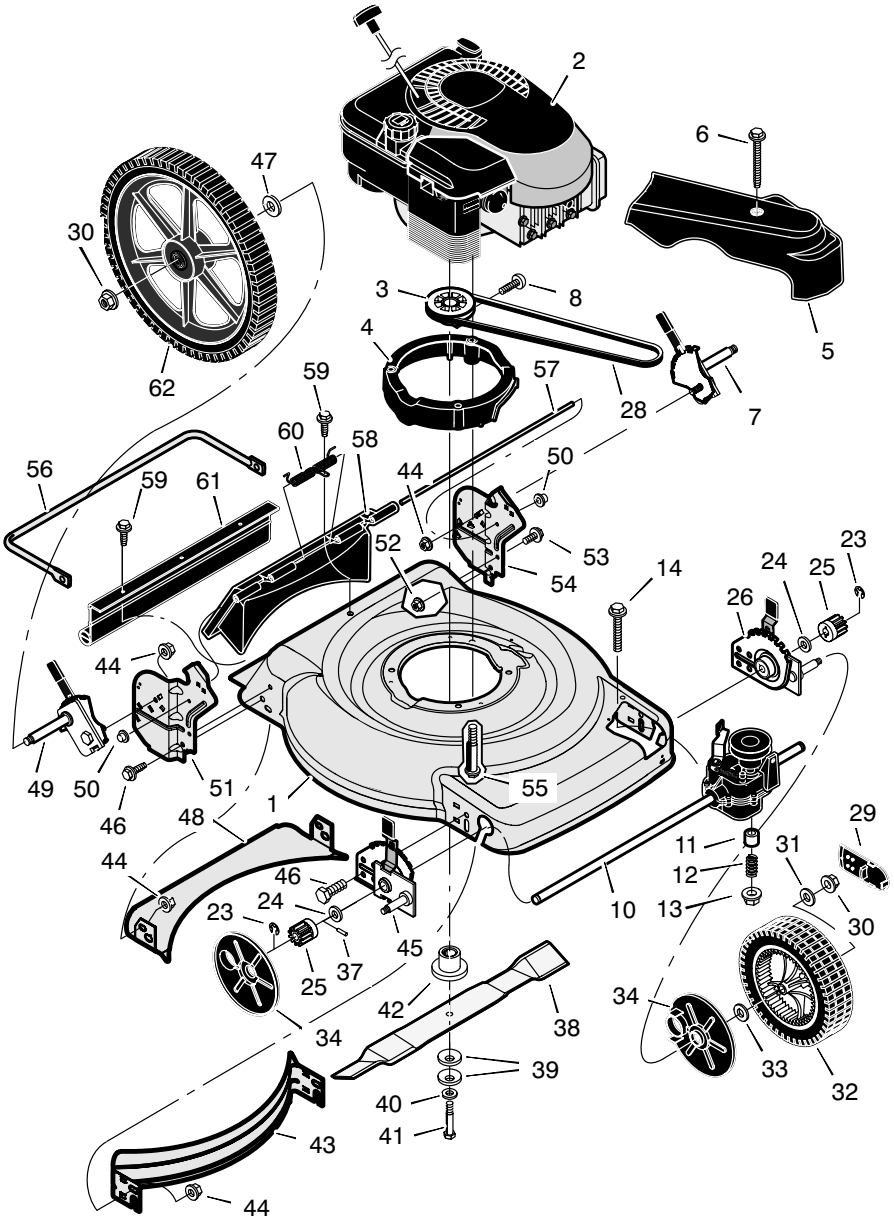
SIDE DISCHARGE MODELS

KEY NO.	DESCRIPTION	PART NO.	KEY NO.	DESCRIPTION	PART NO.
1	Housing	1101340E717	40	Washer	17x124
2	Engine *	-----	41	Bolt	01x144
3	Pulley, Drive	1101653	42	Adapter, Blade	1101336
4	Spacer, Engine (Black)	1101331	43	Baffle, Front **	672915E700
	Spacer, Engine (Gray)	1101332	44	Nut, Flange	015x68
5	Cover, Belt (Black)	1101596	45	Adjuster, Right Front Height	1101028
	Cover, Belt (Gray)	1101568	46	Bolt	001x85
6	Screw	26x302	48	Baffle, Rear **	672916E700
7	Adjuster, Left Rear Height	672605	49	Adjuster, Right Rear Height	672604
8	Screw	26x303	50	Push On Cap	028x49
10	Transmission - Note: There are no internal serviceable parts for the transmission.	1101571	51	Bracket, Right Handle	1101238E701
11	Spacer	043844	52	Nut, Flange	015x79
12	Spring, Compression	710327	53	Bolt	001x45
13	Nut	15x88	54	Bracket, Left Handle	1101239E701
14	Bolt	01x156	55	Bolt, Engine	025x11
23	E-Ring	011x16	57	Rod, Pivot	215x21
24	Washer	17x186	58	Door, Rear (Black)	672611
25	Gear, Pinion	071792		Door, Rear (Gray)	672613
26	Adjuster, Left Front Height	1101029	59	Screw	26x245
28	Belt	37x123	60	Spring	166x44
29	Cap, Hub	672122	61	Guard, Rear	1101105
30	Nut, Flange	015x84	62	Wheel & Tire, Rear	071132
31	Washer	17x169	66	Deflector, Chute (Black)	1101097
32	Wheel & Tire, Front	071133		Deflector, Chute (Gray)	672917
33	Washer	017x75	67	Push On Cap	028x42
34	Cover, Dust	071780	68	Rod, Pivot	215x19 Z
37	Pin, Drive	043629	69	Spring, Torsion	166x38
38	Blade	1101120E701	70	Cover, Mulch (Black)	1101098
39	Washer, Belleville	17x137		Cover, Mulch (Gray)	672920
			--	Book, Instruction	F-030427L

* Parts are available from an Authorized Engine Service Center. See "Engines, Gasoline" or "Gasoline Engines" in the yellow pages of the telephone directory.

** Included with Housing, Key No. 1.

MULCHER MODELS WITH 14" REAR WHEELS



MULCHER MODELS WITH 14" REAR WHEELS

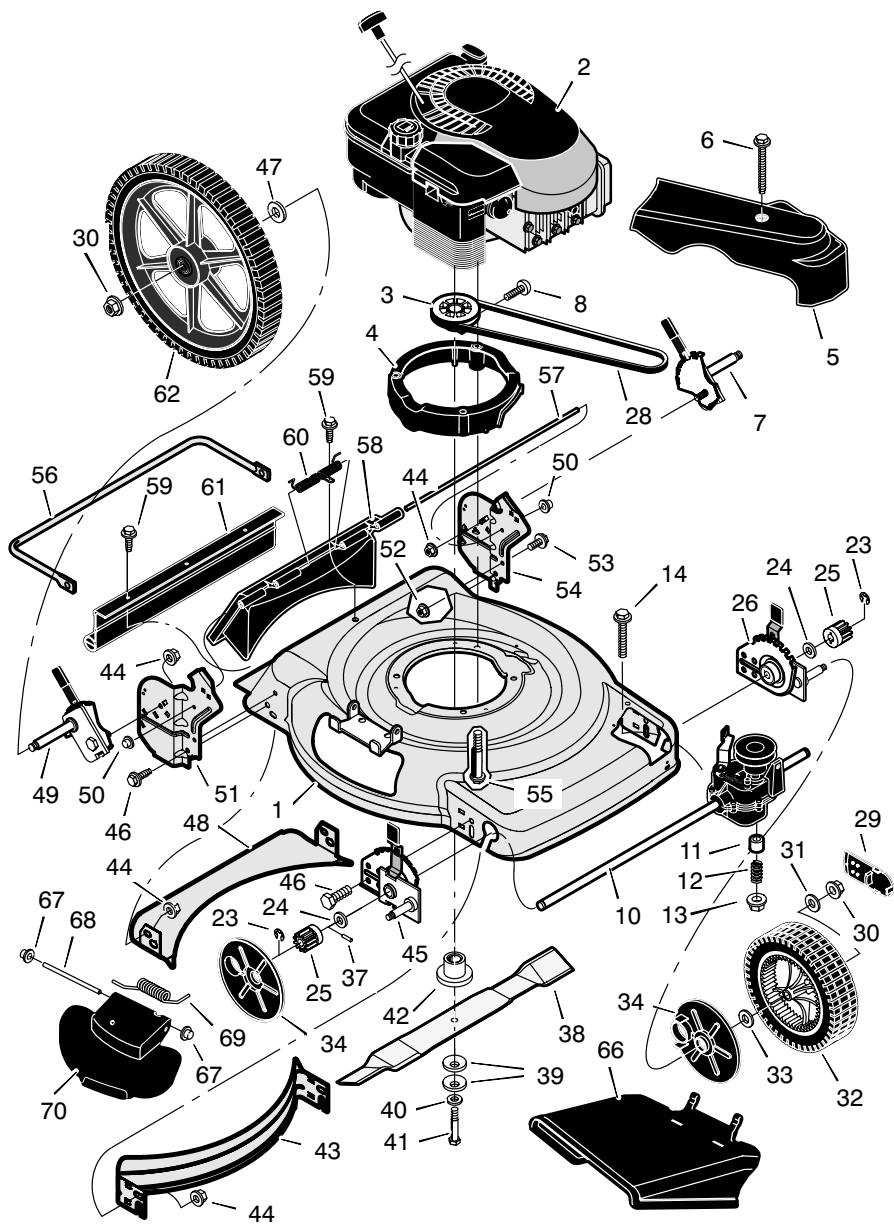
KEY NO.	DESCRIPTION	PART NO.	KEY NO.	DESCRIPTION	PART NO.
1	Housing	-----	37	Pin, Drive	043629
2	Engine *	-----	38	Blade	1101120E701
3	Pulley, Drive	1101653	39	Washer, Belleville	17x137
4	Spacer, Engine (Black)	1101331	40	Washer	17x124
	Spacer, Engine (Gray)	1101332	41	Bolt	01x144
5	Cover, Belt (Black)	1101596	42	Adapter, Blade	1101336
	Cover, Belt (Gray)	1101568	43	Baffle, Front **	672915E700
6	Screw	26x302	44	Nut, Flange	015x68
7	Adjuster, Left Rear Height	672919	45	Adjuster, Right Front Height	1101028
8	Screw	26x303	46	Bolt	001x85
10	Transmission - Note: There are no internal serviceable parts for the transmission.	1101571	47	Washer	0020x3
			48	Baffle, Rear **	672916E700
			49	Adjuster, Right Rear Height	672918
11	Spacer	043844	50	Push On Cap	028x49
12	Spring, Compression	710327	51	Bracket, Right Handle	1101244E701
13	Nut	015x88	52	Nut, Flange	015x79
14	Bolt	01x156	53	Bolt	001x45
23	E-Ring	011x16	54	Bracket, Left Handle	1101245E701
24	Washer	17x186	55	Bolt, Engine	025x11
25	Gear, Pinion	071792	56	Brace	1101008E701
26	Adjuster, Left Front Height	1101029	57	Rod, Pivot +	215x22
28	Belt	37x123	58	Door, Rear (Black)	672611
29	Cap, Hub	672122		Door, Rear (Gray)	672613
30	Nut, Flange	015x84	59	Screw	26x245
31	Washer	17x169	60	Spring +	166x44
32	Wheel & Tire, Front	071133	61	Guard, Rear	672684
33	Washer	17x120	62	Wheel & Tire, Rear	672745
34	Cover, Dust	071780	--	Book, Instruction	F-030427L

* Parts are available from an Authorized Engine Service Center. See "Engines, Gasoline" or "Gasoline Engines" in the yellow pages of the telephone directory.

** Included with Housing, Key No. 1.

+ Included with Key No. 58.

SIDE DISCHARGE MODELS WITH 14" REAR WHEELS



SIDE DISCHARGE MODELS WITH 14" REAR WHEELS

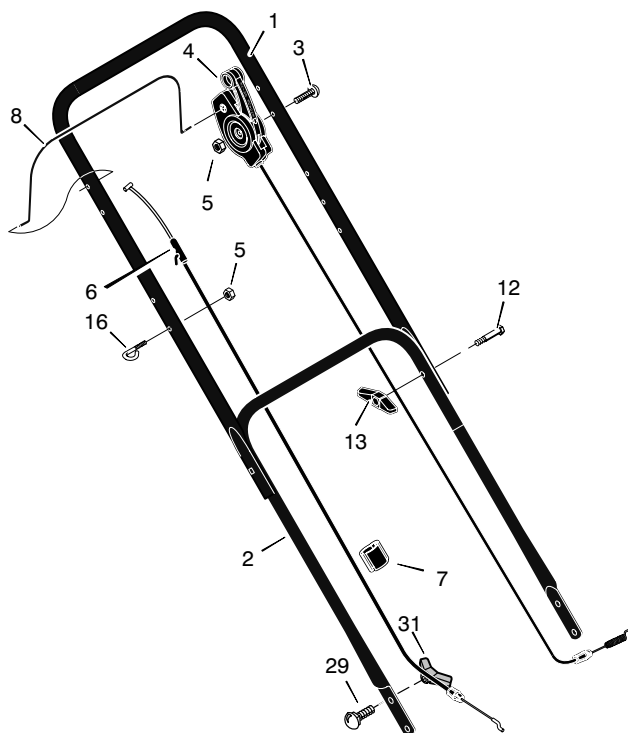
KEY NO.	DESCRIPTION	PART NO.	KEY NO.	DESCRIPTION	PART NO.
1	Housing	1101340E717	40	Washer	17x124
2	Engine *	-----	41	Bolt	01x144
3	Pulley, Drive	1101653	42	Adapter, Blade	1101336
4	Spacer, Engine (Black)	1101331	43	Baffle, Front **	672915E700
	Spacer, Engine (Gray)	1101332	44	Nut, Flange	015x68
5	Cover, Belt (Black)	1101596	45	Adjuster, Right Front Height	1101028
	Cover, Belt (Gray)	1101568			
6	Screw	26x302	46	Bolt	001x85
7	Adjuster, Left Rear Height	672919	47	Washer	0020x3
8	Screw	26x303	48	Baffle, Rear **	672916E700
10	Transmission - Note: There are no internal serviceable parts for the transmission.	1101571	49	Adjuster, Right Rear Height	672918
			50	Push On Cap	028x49
11	Spacer	043844	51	Bracket, Right Handle	1101244E701
12	Spring, Compression	710327	52	Nut, Flange	015x79
13	Nut	015x88	53	Bolt	001x45
14	Bolt	01x156	54	Bracket, Left Handle	1101245E701
23	E-Ring	011x16	55	Bolt, Engine	025x11
24	Washer	17x186	56	Brace	1101008E701
25	Gear, Pinion	071792	57	Rod, Pivot +	215x22
26	Adjuster, Left Front Height	1101029	58	Door, Rear (Black)	672611
				Door, Rear (Gray)	672613
28	Belt	37x123	59	Screw	26x245
29	Cap, Hub	672122	60	Spring +	166x44
30	Nut, Flange	015x84	61	Guard, Rear	672684
31	Washer	17x169	62	Wheel & Tire, Rear	672745
32	Wheel & Tire, Front	071133	66	Deflector, Chute (Black)	1101097
33	Washer	17x120		Deflector, Chute (Gray)	672917
34	Cover, Dust	071780	67	Push On Cap	028x42
37	Pin, Drive	043629	68	Rod, Pivot	215x19 Z
38	Blade	1101120E701	69	Spring, Torsion	166x38
39	Washer, Belleville	17x137	70	Cover, Mulch (Black)	1101098
				Cover, Mulch (Gray)	672920
			--	Book, Instruction	F-030427L

* Parts are available from an Authorized Engine Service Center. See "Engines, Gasoline" or "Gasoline Engines" in the yellow pages of the telephone directory.

** Included with Housing, Key No. 1.

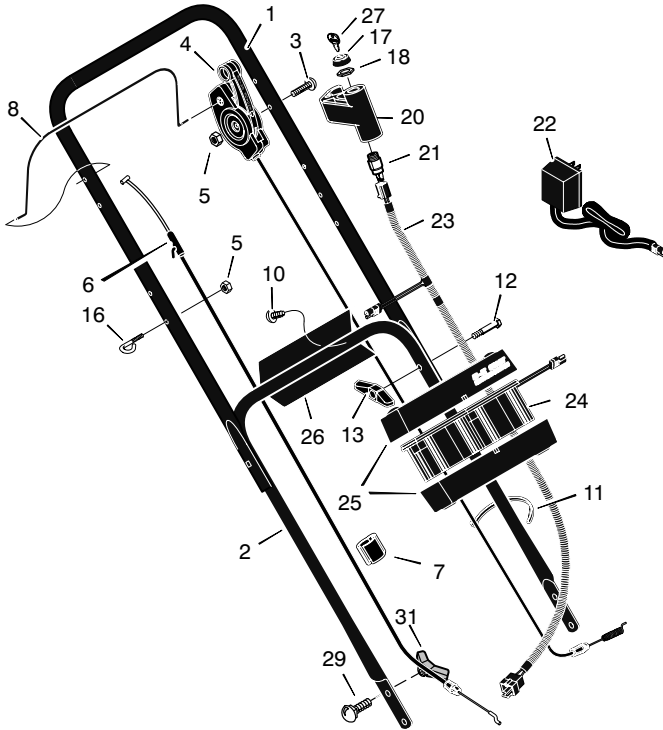
+ Included with Key No. 58.

HANDLE – RECOIL–START MODELS



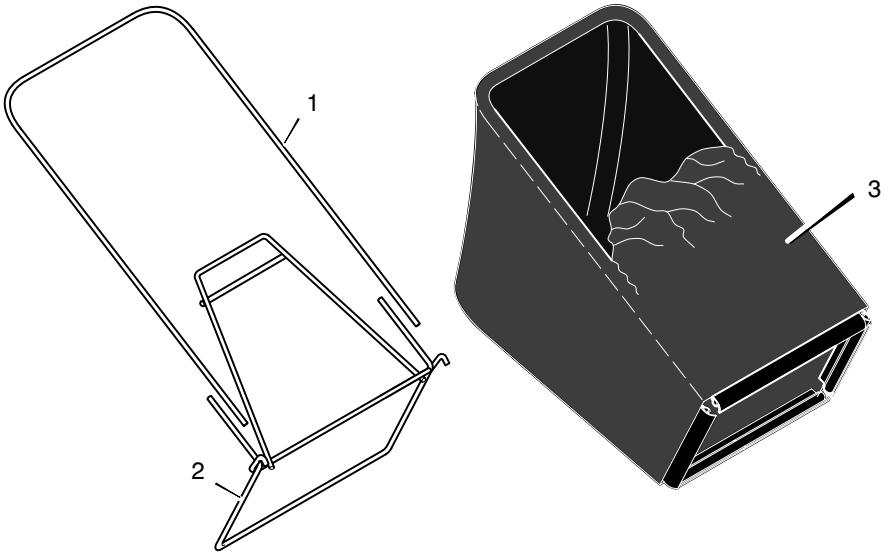
KEY NO.	DESCRIPTION	PART NO.	KEY NO.	DESCRIPTION	PART NO.
1	Handle, Upper (Black) Handle, Upper (Gray)	1101557E701 1101557E724	7	Fastener, Double Cable	1101353
2	Handle, Lower (Black) Handle, Lower (Gray)	672906E701 672906E724	8	Lever, Stop	1101076E701
3	Bolt	025x14	12	Bolt	002x77
4	Control, Drive	1101670	13	Knob	071294
5	Locknut	15x116	16	Guide, Rope	071530
6	Cable, Stop (Briggs) Cable, Stop, (Tecumseh)	1101365 1101366	29	Bolt, Carriage	002x81
			31	Knob, Plastic	071495

HANDLE – ELECTRIC-START MODELS



KEY NO.	DESCRIPTION	PART NO.	KEY NO.	DESCRIPTION	PART NO.
1	Handle, Upper (Black) Handle, Upper (Gray)	1101557E701 1101557E724	16	Guide, Rope	071530
2	Handle, Lower (Black) Handle, Lower (Gray)	672907E701 672907E724	17	Cap	091488
3	Bolt	025x14	18	Nut	091489
4	Control, Drive	1101670	20	Cover, Ignition	1101602
5	Locknut	15x116	21	Switch Ignition & Key	776011
6	Cable, Stop (Briggs) Cable, Stop (Tecumseh)	1101323 1101366	22	Charger, Battery	671992
7	Fastener, Double Cable	1101353	23	Harness, Wiring	1101600
8	Lever, Stop	1101076E701	24	Battery	776014
10	Screw	26x220	25	Case, Battery	776013
11	Fastener, Cable	071372	26	Bracket, Battery	671959E700
12	Bolt	002x77	27	Key, Ignition	672220
13	Knob	071294	29	Bolt, Carriage	002x81
			31	Knob, Plastic	071495

GRASS BAG



KEY NO.	DESCRIPTION	PART NO.
1	Tube, Bag	1101083
2	Frame Assembly	1101074
3	Bag, Cloth	1101005