

PARTS MANUAL

Models

EH30 / EH34

ENGINES

PUB-EP5505A
Rev. 01/00

Robin America, Inc.

940 Lively Blvd. • Wood Dale, IL 60191 • Phone: 630-350-8200 • Fax: 630-350-8212
e-mail: sales@robinamerica.com • www.robinamerica.com

© Copyright 2000 Robin America, Inc.

MANUAL LAYOUT

1 — SECTION 6 **FUEL GROUP**

2 — FIG. 600

3

4

6

7

9

8

5

3

4

REF.	PART NO.	DESCRIPTION	QTY.	REMARKS	FROM-TO	FIG.
10	267-60103-01	FUEL TANK CP	1	YD, YS TYPE, BLACK	2101 -	600
	267-60101-01	FUEL TANK CP	1	YELLOW	- 2100	600
27	073-20039-00	LABEL, WARNING	1	YD, YS TYPE		600
30	043-04300-15	FUEL TANK CAP CP	1			600
31	267-95201-03	LABEL, EMISSION	1	YD, YS TYPE		600
40	064-13600-10	FUEL FILTER	1			600
50	064-20021-01	FUEL STRAINER AY	1			600
-1	064-20002-20	FILTER	1			600
-2	064-20002-30	GASKET	1			600
-3	064-20019-10	CUP	1			600
-4	064-20003-20	NUT	1			600

1. SECTION NAME Parts are broadly classified according to their functions. Refer to the Group Index (table of contents) for respective section name.
2. FIG. No. The FIG. number indexes the reference and part numbers to the illustration. Figure numbers that vary only in the tens place (i.e.: 700 and 710) are in a group of the same section (i.e.: Electrical Device Group).
3. REF. No. The Reference number identifies the part illustration with the corresponding part number in the part list.
4. SUBASSEMBLY SUBASSEMBLY parts of part assembly are listed below the assembly part. The subassembly part reference number is indicated by the number led by "-" such as "-1", "-2".
5. PART NUMBER It is the number assigned for sales unit. Use the PART No. when making an order.
6. DESCRIPTION It is designation of the part.
7. QTY. Quantity of each part used for each product.
8. REMARKS This gives a distinctive feature and/or a supplementary comment for the type, the specification, and the part concerned. It also shows part number(s) interchangeable for the part.
9. FROM-TO This section shows the CODE No. to indicate the history of progress in which improved parts have been introduced in the product. The FROM-TO CODE No. helps to identify PART No. being employed in the product concerned. See the examples below:
 - The part is used in the product irrespective of CODE No.
 - 2101- The part is used in the products with CODE No. of 2101 and after this number.
 - 2100 The part is used in the products with CODE No. of 2100 and before this number.

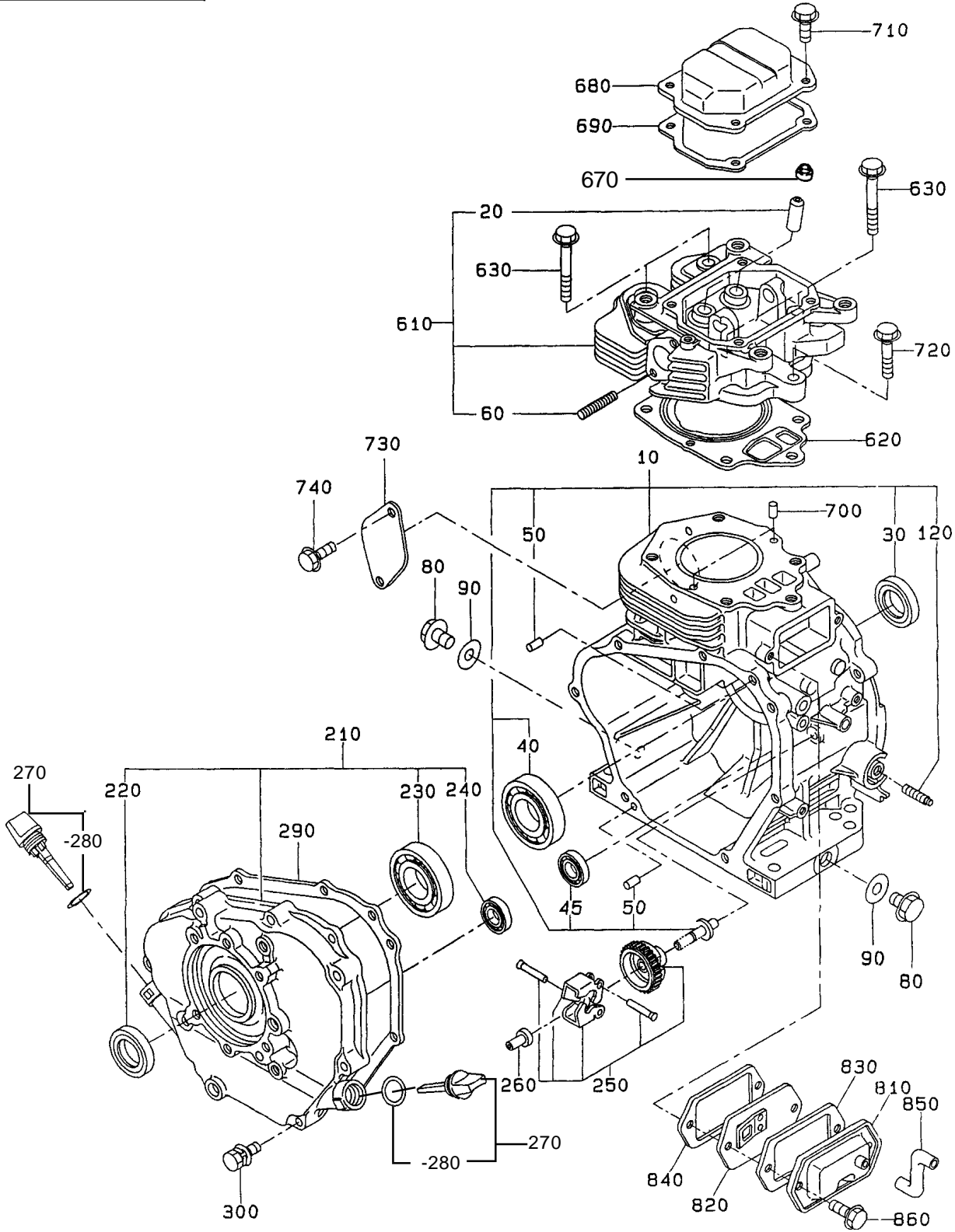
GROUP INDEX

Group Name	Page
CRANKCASE GROUP	6
CRANKSHAFT GROUP	10
INTAKE and EXHAUST GROUP	12
GOVERNOR GROUP	18
COOLING and STARTING GROUP	20
FUEL, LUBRICANT GROUP	24
ELECTRIC DEVICE GROUP - RECOIL START	28
ELECTRIC DEVICE GROUP - ELECTRIC START	32
ELECTRIC DEVICE GROUP - 150 WATT CHARGING	40
ELECTRIC DEVICE GROUP - OIL SENSOR.....	44

INDEX OF DESCRIPTION SYMBOLS			
SYMBOL	DESCRIPTION	SYMBOL	DESCRIPTION
AY	ASSEMBLY	P=	PITCH (in mm)
CP	COMPLETE	P.T.O. (PTO)	POWER TAKE OFF
EX	EXPORT (from Japan)	REF.	REFERENCE
FIG.	FIGURE	R.H. (RH)	RIGHT HAND SIDE
FR.	FRONT	RR.	REAR
"	INCH	STD.	STANDARD
INCL.	INCLUDE	SW	SWITCH
~L	LITER	T=	THICKNESS (in mm)
L=	LENGTH (in. mm)	UN	UNIT
L.H. (LH)	LEFT-HAND SIDE	U.S.	UNDER SIZE
MECH	MECHANICAL	~V	VOLTAGE
NO (NON)	NONE	~W	WATT
OPT.	OPTIONAL	W/	WITH
O.S.	OVER SIZE	W/O	WITHOUT

SECTION 1 CRANKCASE GROUP

FIG. 100

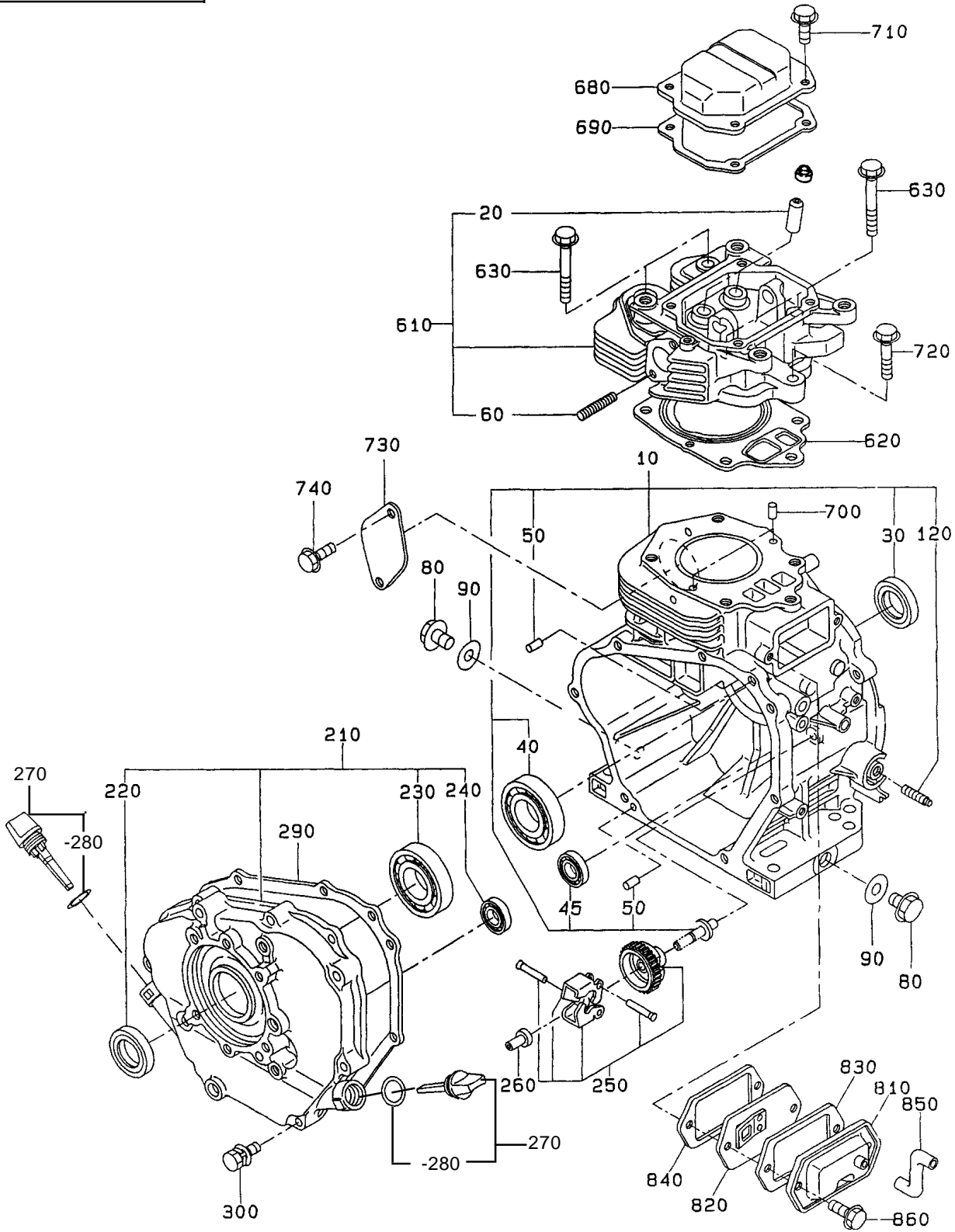


SECTION 1 CRANKCASE GROUP

REF.	PART NO.	DESCRIPTION	QTY.	REMARKS	FROM-TO	FIG.
10	246-10101-31	CRANKCASE	1	EH30, single balancer	from S/N 1023377	100
	246-10101-21	CRANKCASE	1	EH30, double balancer	to S/N 1023376	100
10	247-10101-31	CRANKCASE	1	EH34, single balancer	from S/N 1029603	100
	247-10101-21	CRANKCASE	1	EH34, double balancer	to S/N 1029602	100
20	246-14202-03	VALVE GUIDE	2			100
30	044-03500-90	OIL SEAL	1	Ø 35 X Ø 48 X 8		100
40	060-03500-10	BALL BEARING	1			100
45	060-01500-60	BALL BEARING	1	EH30	from S/N 1023377	100
	060-01500-60	BALL BEARING	2	EH30	to S/N 1023376	100
45	060-01500-60	BALL BEARING	1	EH34	from S/N 1029603	100
	060-01500-60	BALL BEARING	2	EH34	to S/N 1029602	100
50	031-00600-20	DOWEL PIN	2			100
60	010-50804-30	STUD	2			100
80	040-11400-30	PLUG	2			100
90	021-11400-20	GASKET	2			100
120	010-50801-20	STUD	1			100
210	246-11002-31	MAIN BEARING COVER	1	EH30	from S/N 1023377	100
	246-11002-21	MAIN BEARING COVER	1	EH30	to S/N 1023376	100
210	246-11002-31	MAIN BEARING COVER	1	EH34	from S/N 1029603	100
	246-11002-21	MAIN BEARING COVER	1	EH34	to S/N 1029602	100
220	044-03500-90	OIL SEAL	1	Ø 35 X Ø 48 X 8		100
230	060-03500-10	BALL BEARING	1			100
240	060-01500-60	BALL BEARING	1	EH30	from S/N 1023377	100
	060-01500-60	BALL BEARING	2	EH30	to S/N 1023376	100
240	060-01500-60	BALL BEARING	1	EH34	from S/N 1029603	100
	060-01500-60	BALL BEARING	2	EH34	to S/N 1029602	100
250	246-45001-01	GOVERNOR GEAR	1			100
260	205-41901-03	GOVERNOR SLEEVE	1			100
270	224-63601-03	OIL GAUGE	2	Includes item -280		100
	224-63601-03	OIL GAUGE	1	W / OIL SENSOR		100
- 280	021-32000-10	GASKET	2			100
	021-32000-10	GASKET	1	W / OIL SENSOR		100
290	246-15101-03	GASKET, bearing cover	1			100
300	001-13084-00	BOLT and WASHER	7			100
610	246-13001-31	CYLINDER HEAD	1	EH30 / Vertical spark plug		100
	247-13003-01	CYLINDER HEAD	1	EH34 / Vertical spark plug		100
	247-13101-11	CYLINDER HEAD	1	EH34 / Inclined spark plug, short studs		100
620	247-15001-13	GASKET, cylinder head	1			100
630	011-01000-40	FLANGE BOLT	4			100
670	239-16302-13	OIL SEAL	1	EH30	to S/N 1023376	100
	239-16302-13	OIL SEAL	1	EH34		100
680	246-15501-02	ROCKER COVER	1			100

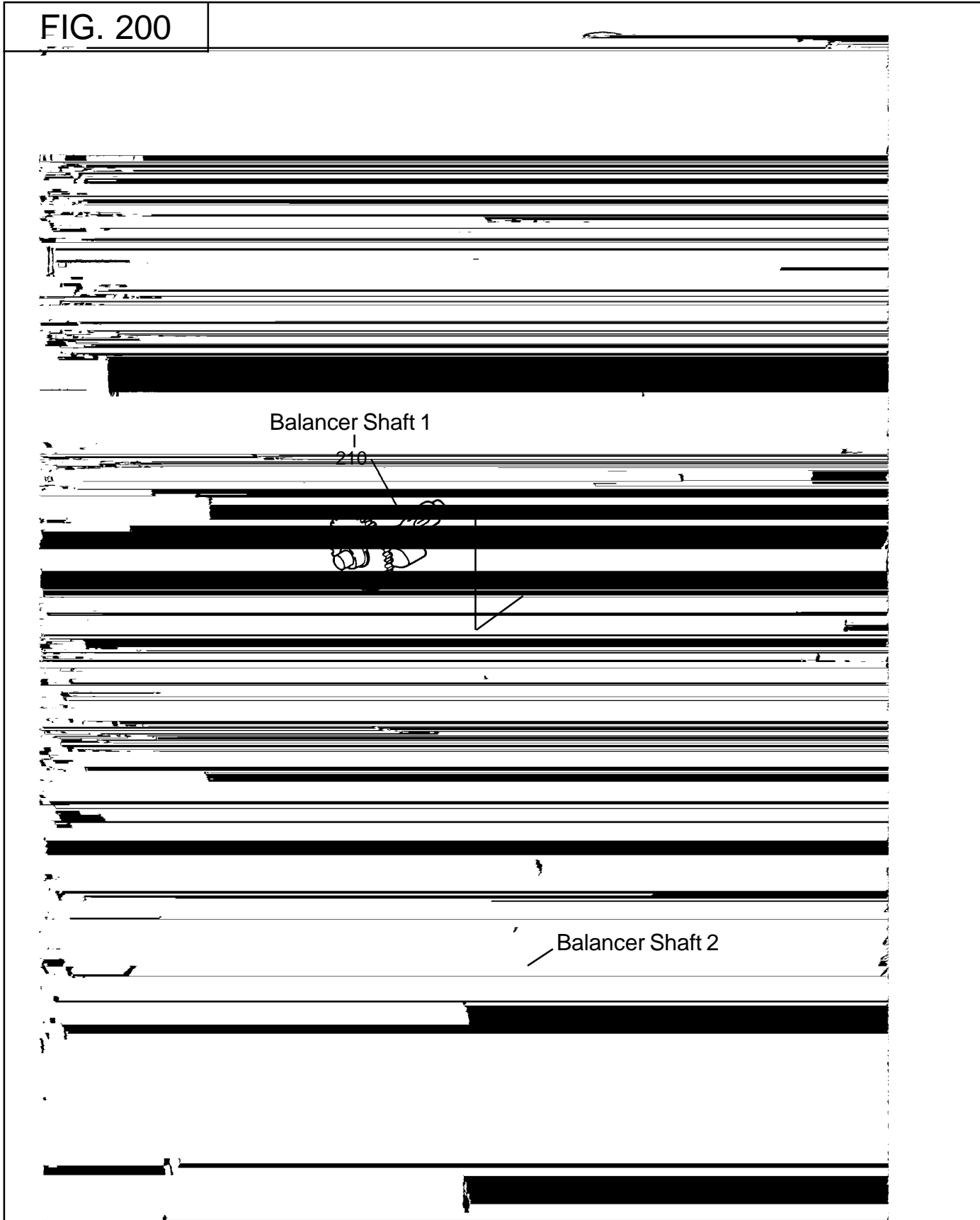
SECTION 1 CRANKCASE GROUP

FIG. 100



SECTION 2 CRANKSHAFT GROUP

FIG. 200

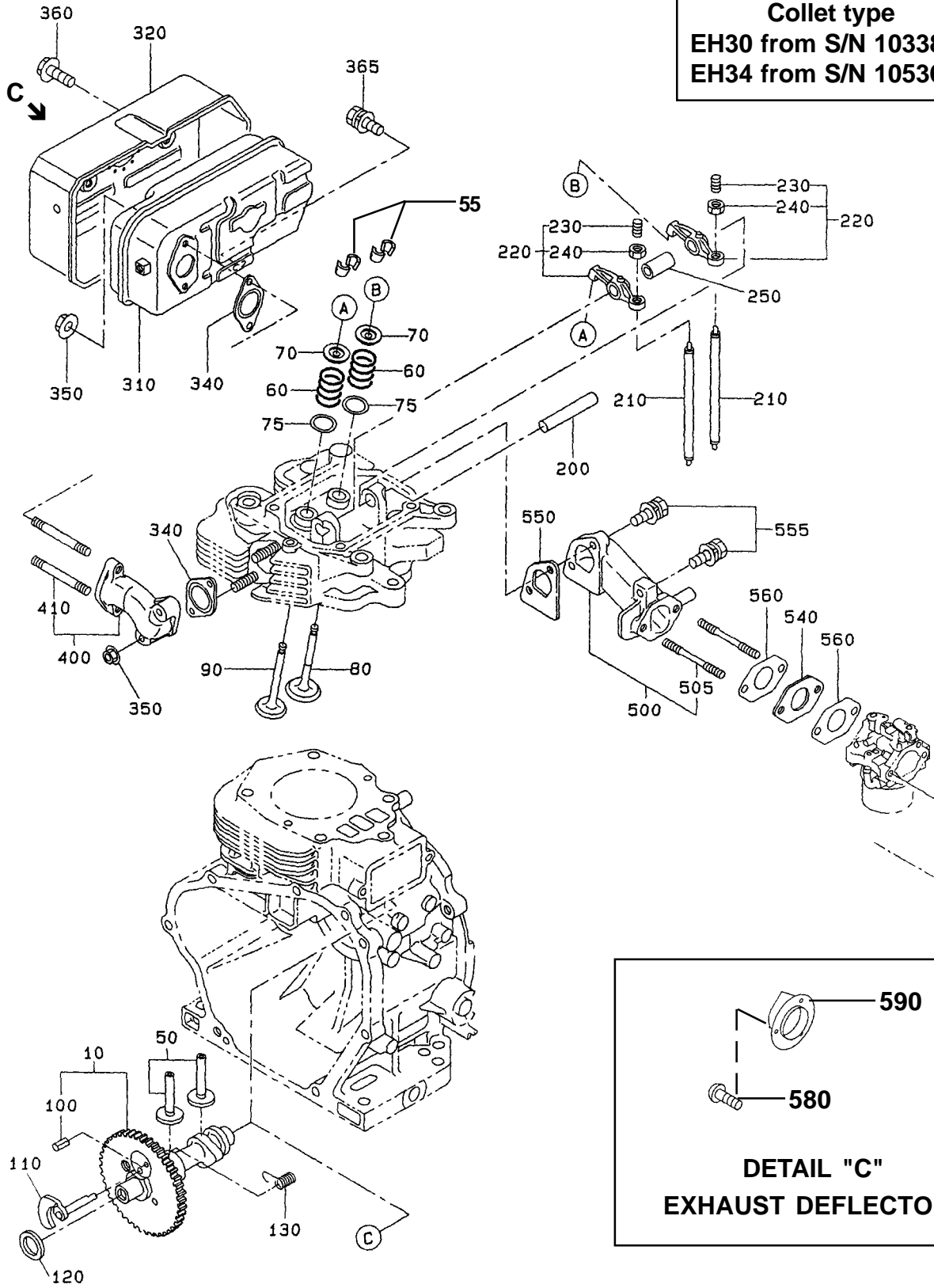


SECTION 3 INTAKE and EXHAUST GROUP

FIG. 300

NEW STYLE VALVE RETAINER

Collet type
 EH30 from S/N 1033819
 EH34 from S/N 1053613



DETAIL "C"
EXHAUST DEFLECTOR

SECTION 3 INTAKE and EXHAUST GROUP

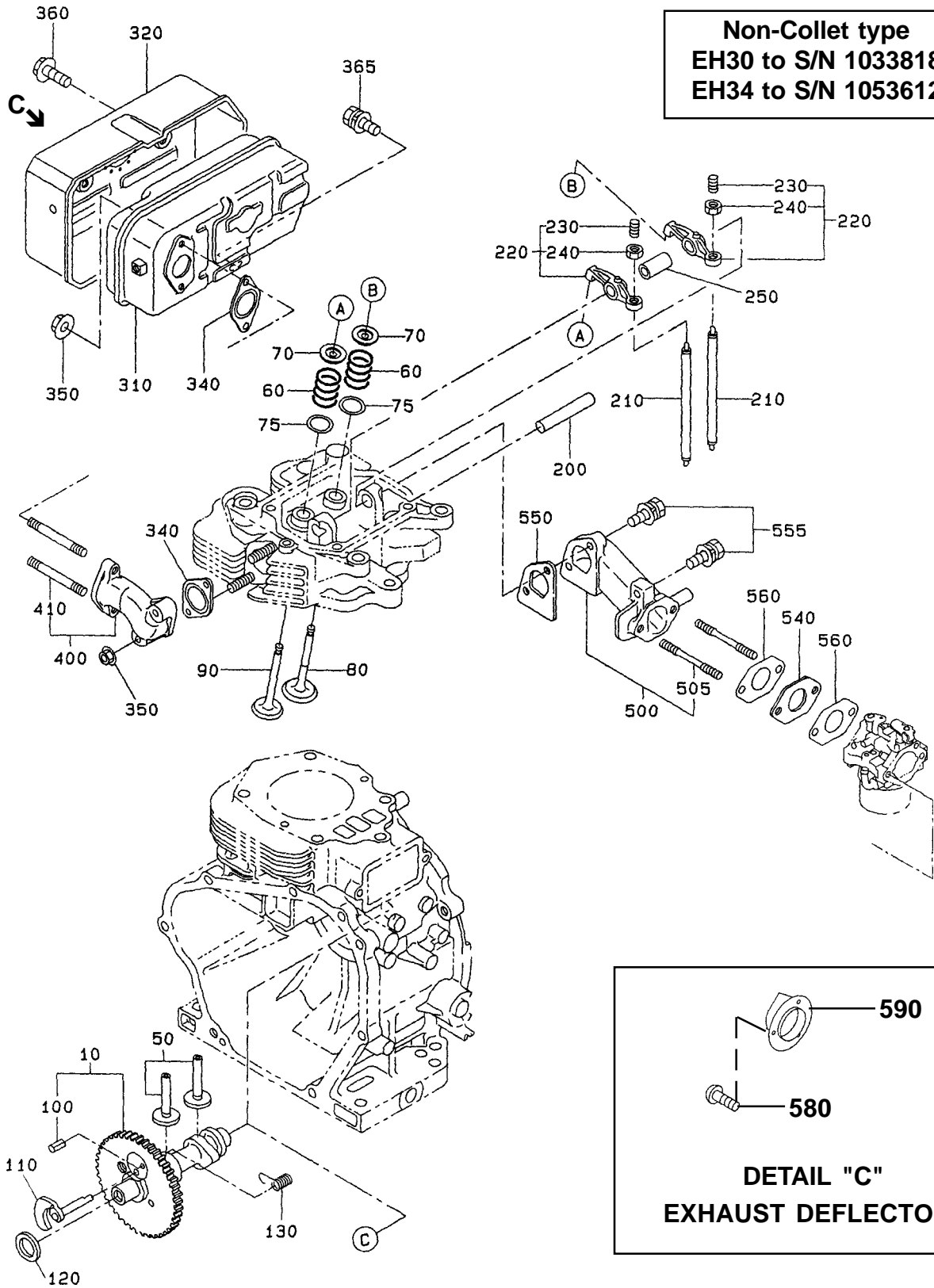
REF.	PART NO.	DESCRIPTION	QTY.	REMARKS	FROM-TO	FIG.
10	246-31701-01	CAMSHAFT	1			300
50	246-33301-03	TAPPET	2			300
55	246-33501-03	COLLET	2	EH30	from S/N 1033819	300
	246-33501-03	COLLET	2	EH34	from S/N 1053613	300
60	246-33611-03	VALVE SPRING	2	EH30	from S/N 1033819	300
	246-33611-03	VALVE SPRING	2	EH34	from S/N 1053613	300
70	246-33711-03	SPRING RETAINER	2	EH30	from S/N 1033819	300
	246-33711-03	SPRING RETAINER	2	EH34	from S/N 1053613	300
75	020-02000-10	WASHER	2			300
80	246-33411-03	INTAKE VALVE	1	EH30	from S/N 1033819	300
	246-33411-03	INTAKE VALVE	1	EH34	from S/N 1053613	300
90	246-33511-03	EXHAUST VALVE	1	EH30	from S/N 1033819	300
	246-33511-03	EXHAUST VALVE	1	EH34	from S/N 1053613	300
100	005-19041-00	SPRING PIN	1			300
110	246-36201-1	RELEASE LEVER	1			300
120	023-02200-50	SPACER T =0.6mm	1	Select 1 piece only		300
	023-02200-60	SPACER T=0.7mm	1	Select 1 piece only		300
	023-02200-70	SPACER T=0.8mm	1	Select 1 piece only		300
130	246-36701-03	RETURN SPRING	1			300
200	239-35001-03	ROCKER SHAFT	1			300
210	246-35301-11	PUSH ROD	2			300
220	246-36101-10	ROCKER ARM AY	2			300
230	014-90800-21	ADJUSTING SCREW	2			300
240	017-00800-90	NUT	2			300
250	246-36120-03	SPACER	1			300
310	246-30101-21	MUFFLER	1			300
320	246-34201-21	MUFFLER COVER	1			300
340	246-35201-03	GASKET, muffler	2			300
350	018-00800-10	FLANGE NUT	4			300
360	011-00600-10	FLANGE BOLT	3			300
365	001-11081-60	BOLT and WASHER AY	1			300
400	246-34001-01	EXHAUST PIPE	1			300
410	010-50803-60	STUD	2			300
500	246-33001-01	INTAKE PIPE	1			300
505	010-50602-30	STUD	2			300
540	246-32901-03	INSULATOR	1			300
550	246-36001-13	GASKET, intake pipe	1			300
555	001-13082-80	BOLT and WASHER AY	3			300
560	234-35902-03	GASKET 2, insulator	2			300
580	015-00400-60	TAPPING SCREW	3			300
590	246-37001-07	EXHAUST DEFLECTOR	1	Includes item 580		300

SECTION 3 INTAKE and EXHAUST GROUP

FIG. 310

OLD STYLE VALVE RETAINER

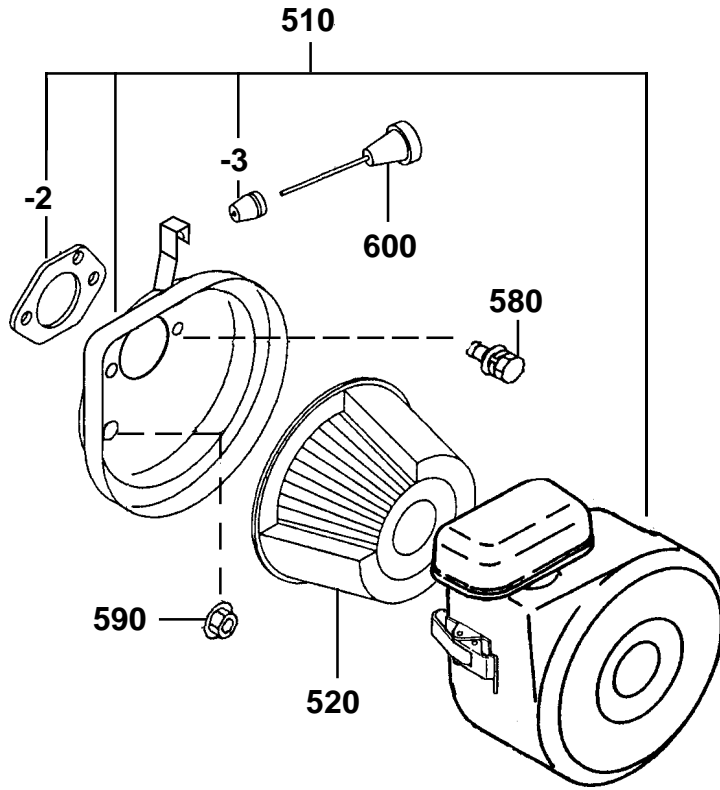
**Non-Collet type
EH30 to S/N 1033818
EH34 to S/N 1053612**



SECTION 3 INTAKE and EXHAUST GROUP

FIG. 320

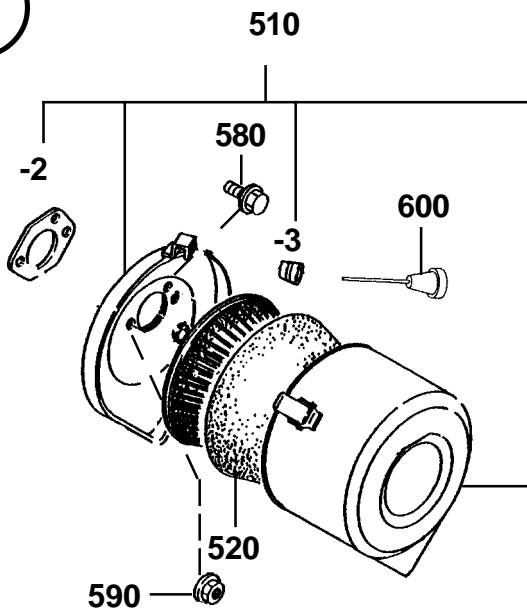
STANDARD PREMIUM - TOP INLET CYCLONE



A

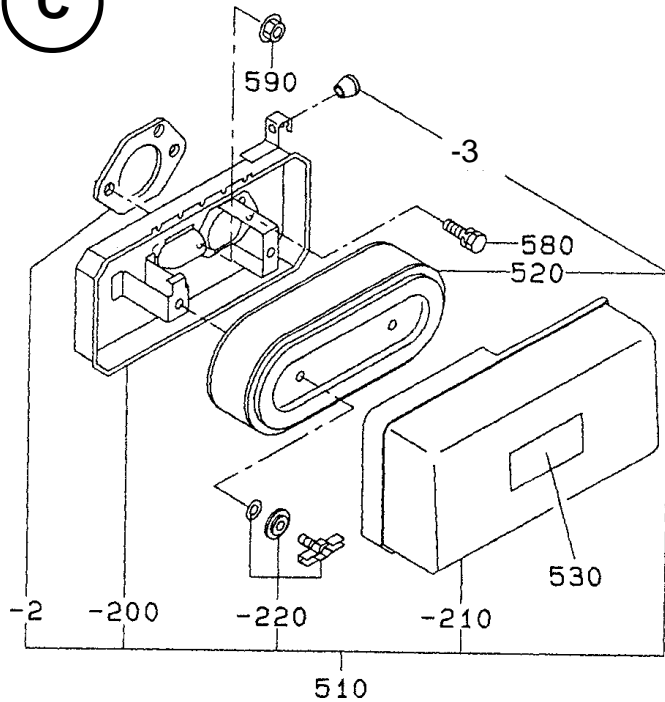
STANDARD - LOWER INLET CYCLONE

B



WISCONSIN ROBIN STANDARD 2-STAGE

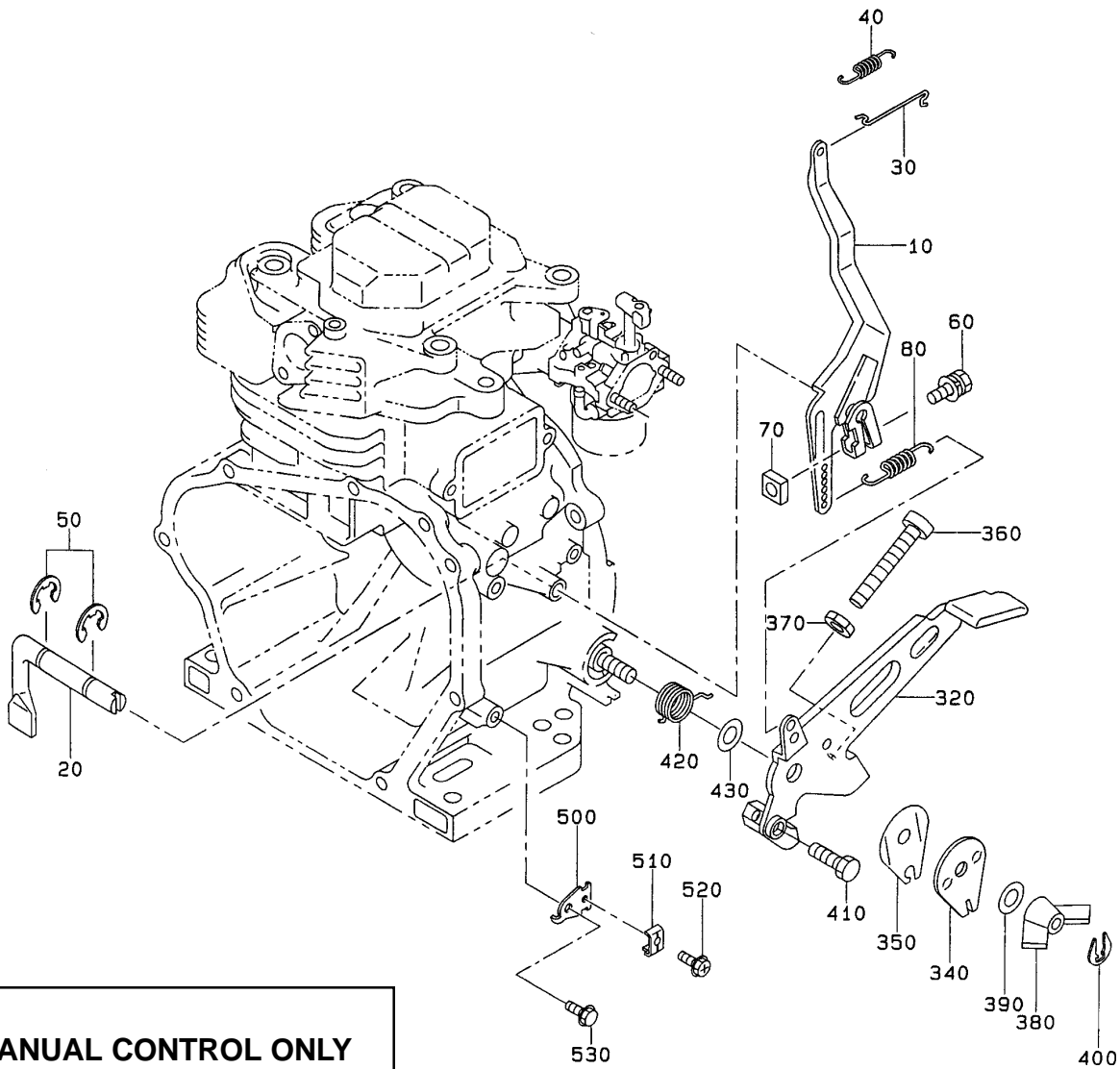
C



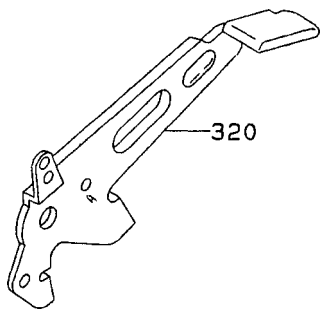
SECTION 4 GOVERNOR GROUP

FIG. 400

MANUAL WITH LOWER CABLE CONTROL



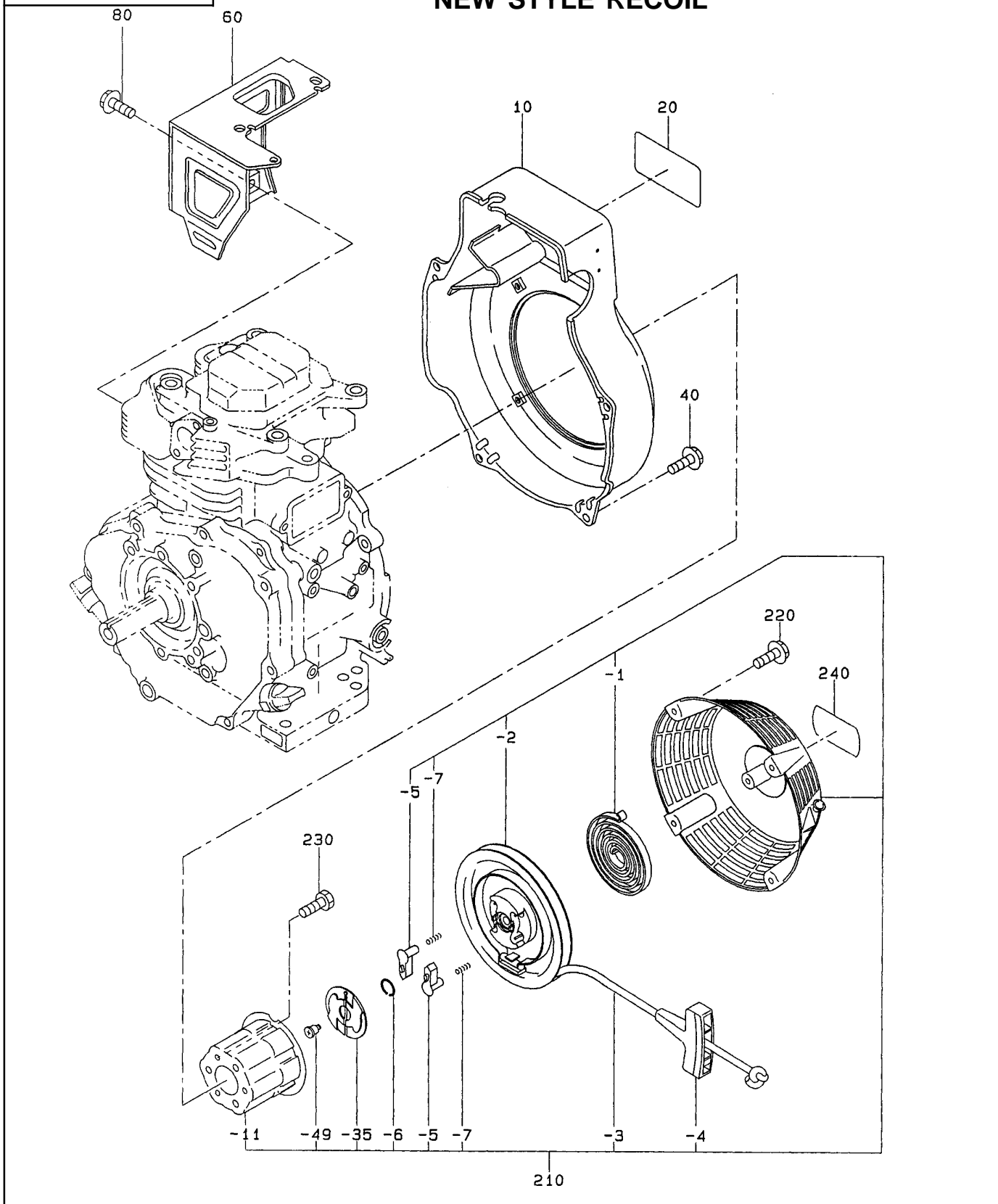
MANUAL CONTROL ONLY



SECTION 5 COOLING and STARTING GROUP

FIG. 500

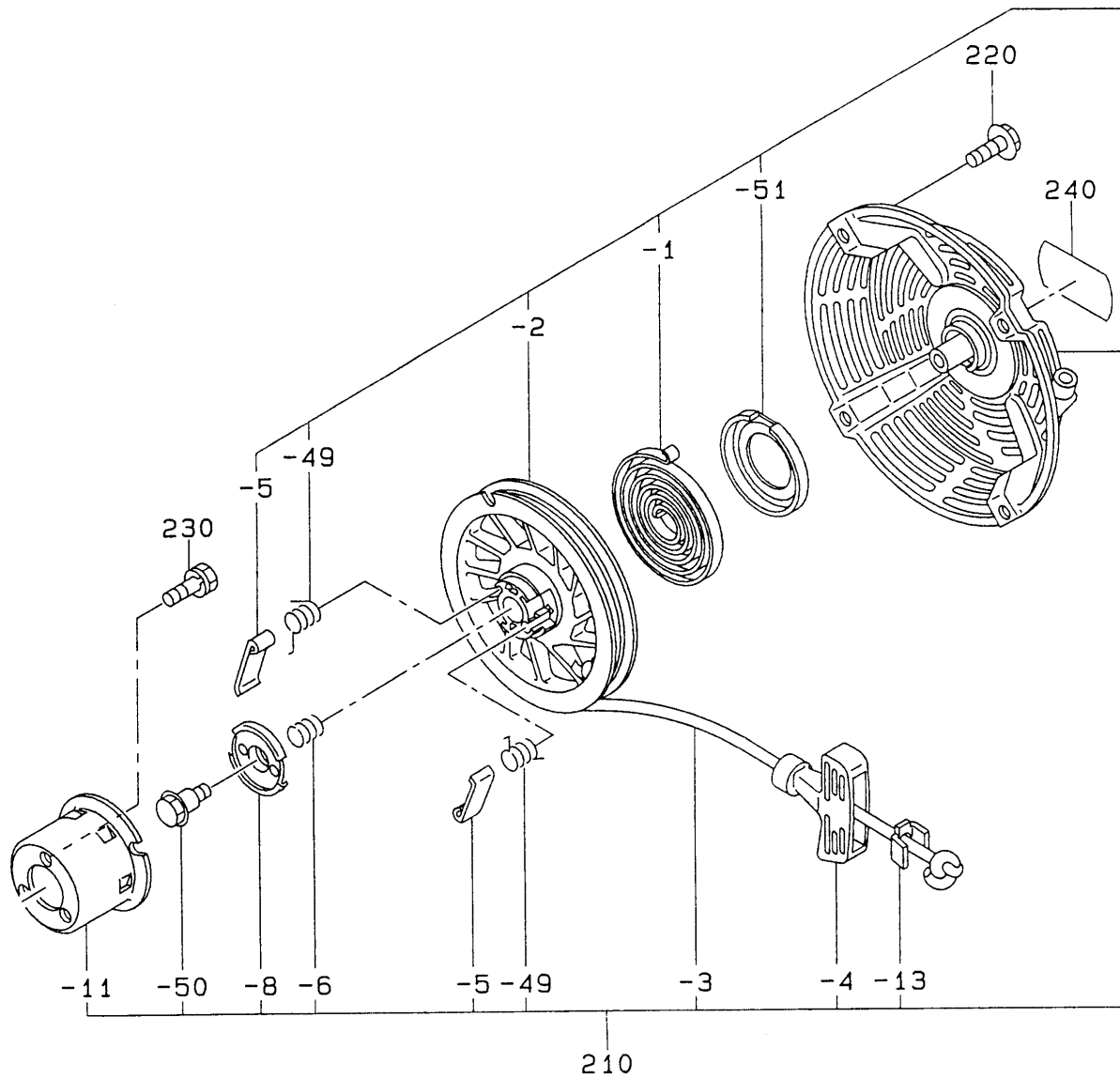
NEW STYLE RECOIL



SECTION 5 COOLING and STARTING GROUP

FIG. 510

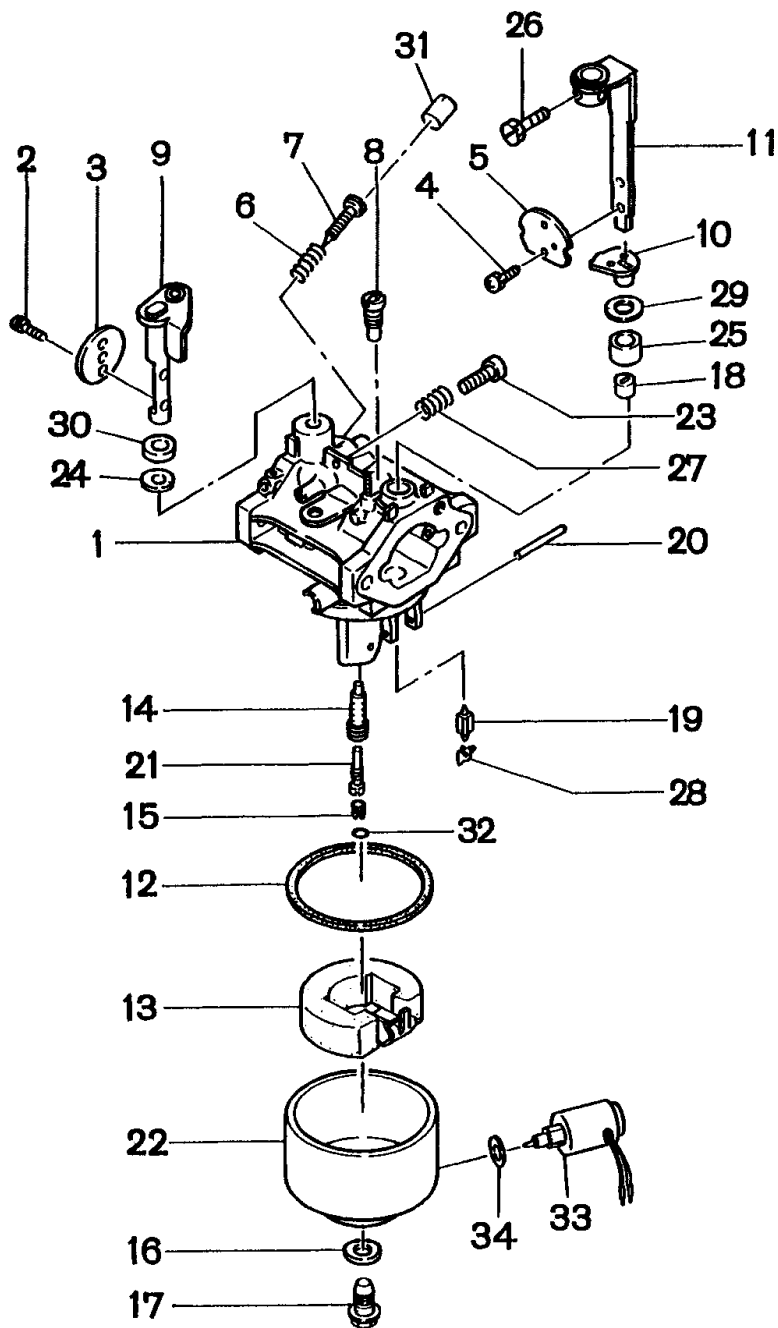
OLD STYLE RECOIL



SECTION 6 FUEL, LUBRICANT GROUP

FIG. 610

DETAIL "B"

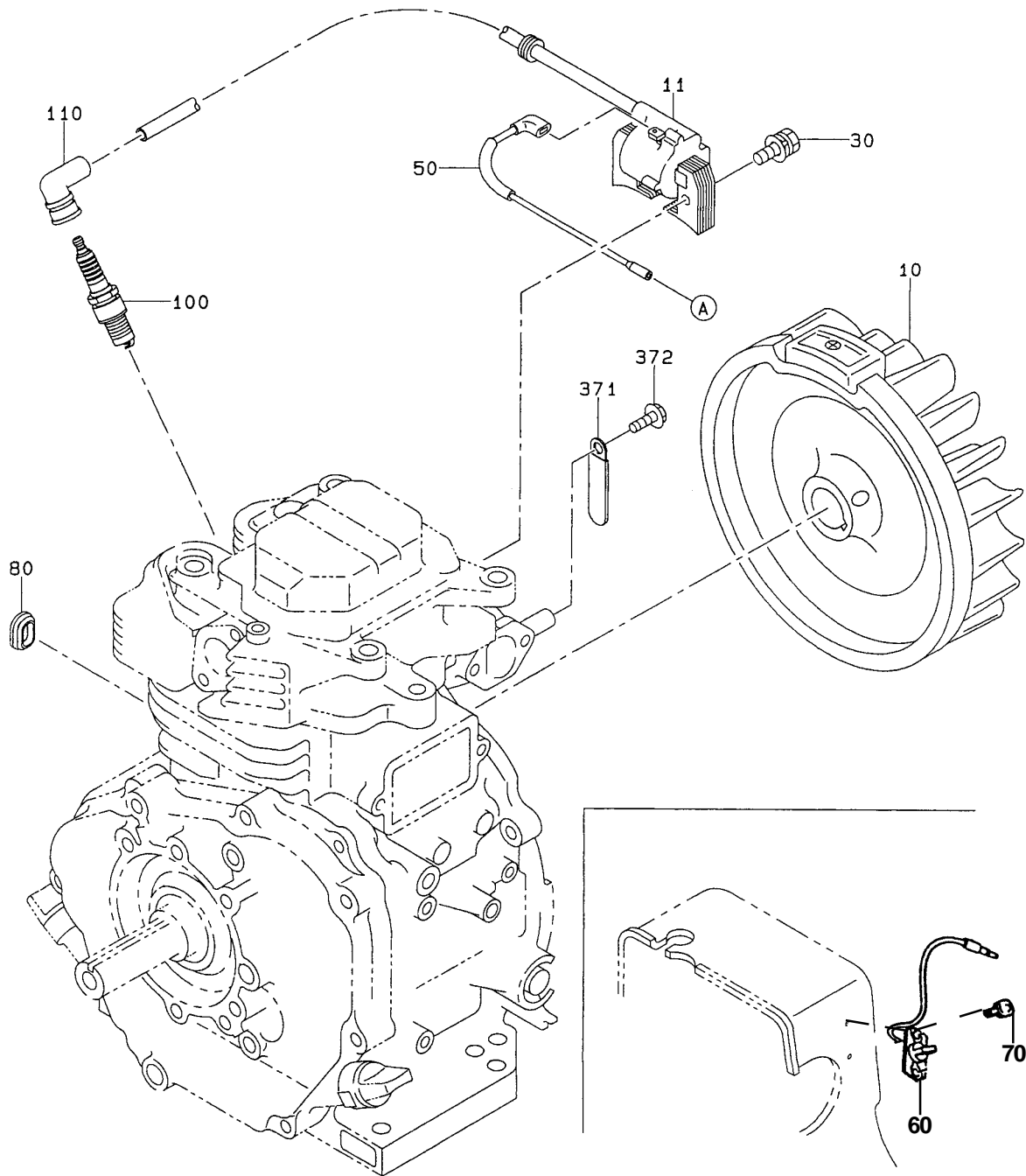


SECTION 6 FUEL, LUBRICANT GROUP

REF.	PART NO.	DESCRIPTION	QTY.	REMARKS	FROM-TO	FIG.
210	246-62314-00	CARBURETOR	1	EH30		610
	247-62327-00	CARBURETOR	1	EH34		610
	247-62325-10	CARBURETOR	1	RGV6101, right side inlet		610
-2	209-62351-08	SCREW	2			610
-3	213-62535-08	THROTTLE VALVE	1			610
-4	237-62451-08	SCREW	2			610
-5	234-62525-08	CHOKE VALVE	1			610
-6	246-62436-08	SPRING	1			610
-7	209-62305-08	PILOT SCREW	1	EH30		610
	246-62436-08	PILOT SCREW	1	EH34		610
	246-62436-08	PILOT SCREW	1	RGV6101		610
-8	246-62420-08	PILOT JET	1	EH30		610
	247-62420-08	PILOT JET	1	EH34		610
	247-62420-08	PILOT JET	1	RGV6101		610
-9	246-62531-08	THROTLE SHAFT	1			610
-10	239-62560-08	RING, choke	1			610
-11	246-62522-08	CHOKE LEVER	1			610
-12	206-62540-08	CHAMBER PACKING	1			610
-13	234-62506-08	FLOAT AY	1			610
-14	246-62440-08	MAIN NOZZLE	1	EH30		610
	246-62441-08	MAIN NOZZLE	1	EH34		610
	246-62441-08	MAIN NOZZLE	1	RGV6101		610
-15	246-62402-08	MAIN JET	1	EH30		610
	234-62404-08	MAIN JET	1	EH34		610
	246-62403-08	MAIN JET	1	RGV6101		610
-16	207-62345-08	INSERT WASHER	1			610
-17	224-62544-08	BOLT	1			610
-18	226-62550-08	RING	1			610
-19	224-62312-08	NEEDLE VALVE	1			610
-20	214-62515-08	PIN	1			610
-21	246-62425-08	GUIDE HOLDER	1			610
-22	224-62552-08	FLOAT CHAMBER BODY	1	STD		610
	247-62556-08	FLOAT CHAMBER BODY	1	RGV6101		610
-23	246-62435-08	ADJUSTING SCREW	1			610
-24	106-62392-08	SEAL	1			610
-25	247-62550-08	CAP, choke	1			610
-26	227-62450-08	BOLT	1			610
-27	209-62445-08	SPRING, adjusting	1			610
-28	224-62569-08	CLIP	1			610
-29	236-62680-08	SEAL	1			610
-30	156-62351-08	PACKING	1			610
-32	242-62313-08	"O" RING	1	RGV6101 ONLY		610
-33	247-62561-08	SOLENOID AY	1	RGV6101 ONLY		610
-34	247-62565-08	WASHER	1	RGV6101 ONLY		610

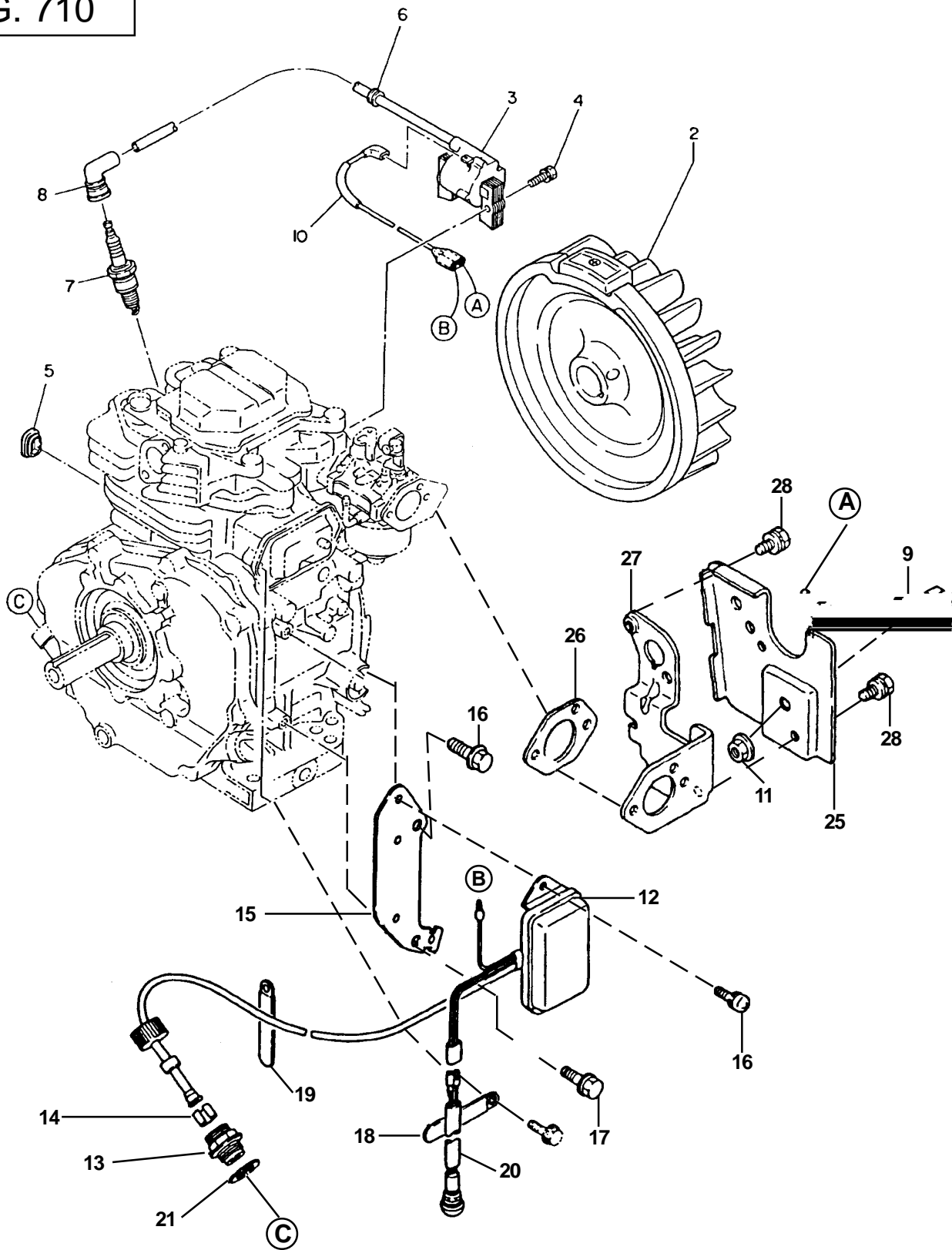
SECTION 7A ELECTRIC DEVICE GROUP - RECOIL START

FIG. 700



SECTION 7B RECOIL START - WISCONSIN ROBIN

FIG. 710



SECTION 7C ELECTRIC DEVICE GROUP - ELECTRIC START

FIG. 720

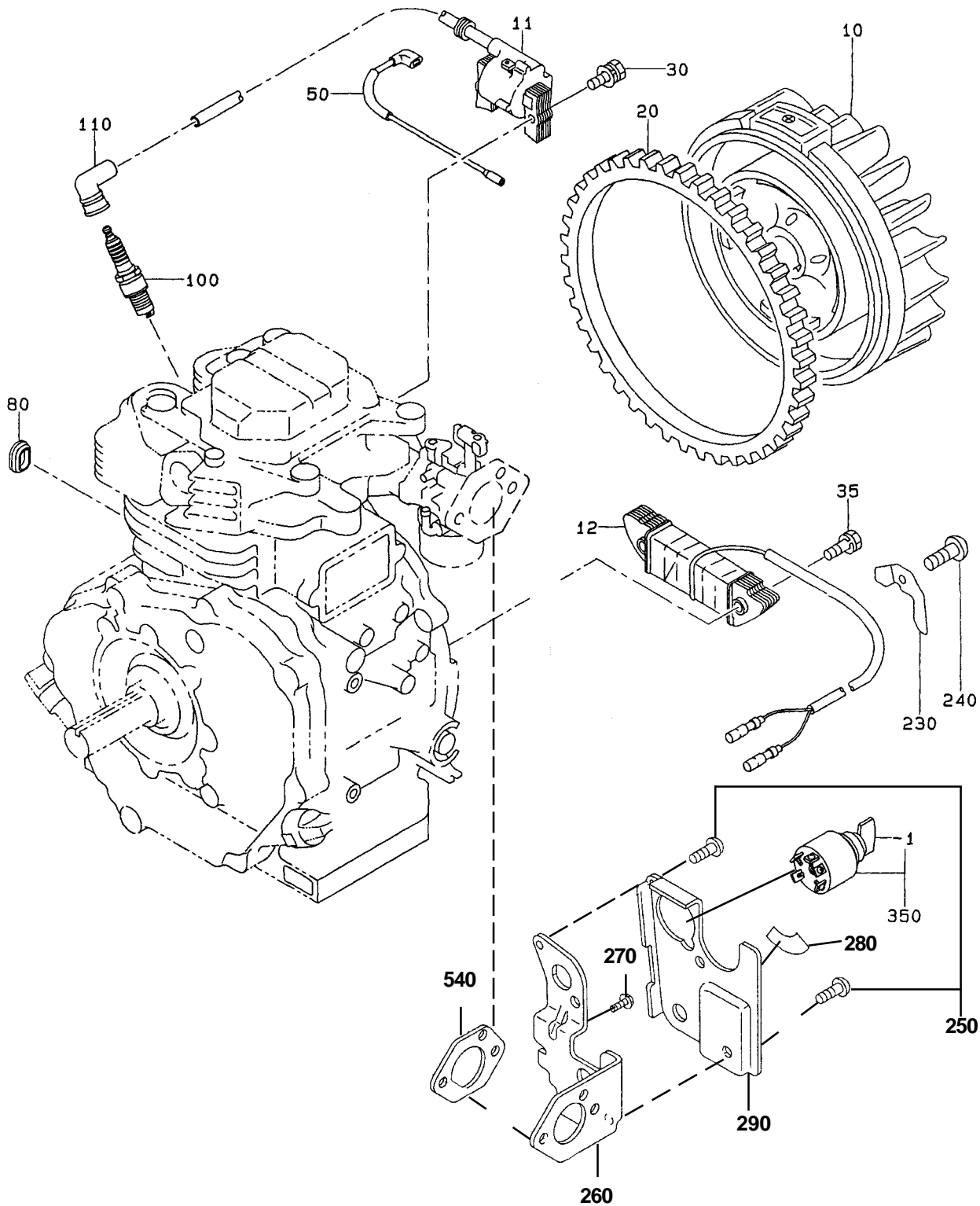
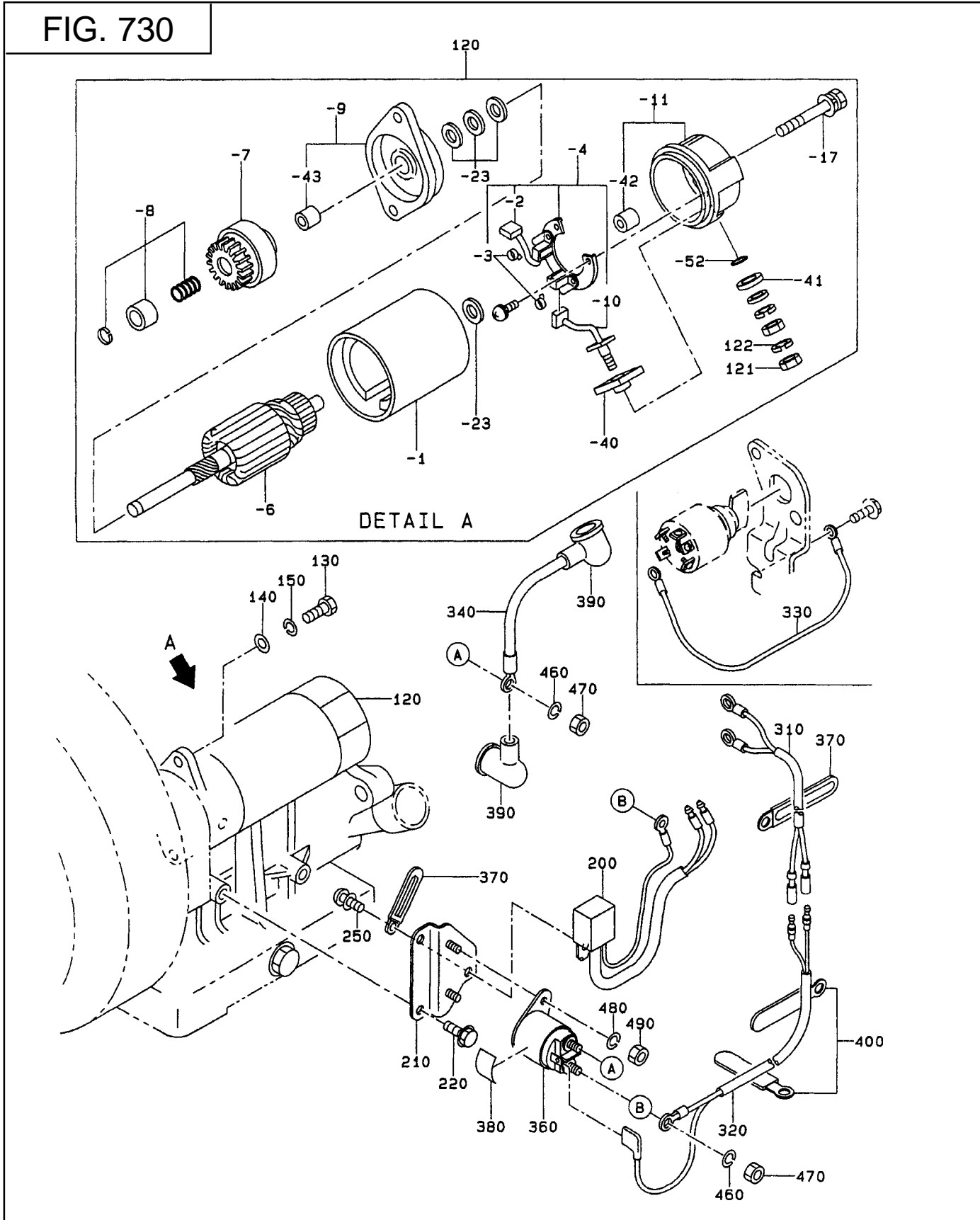


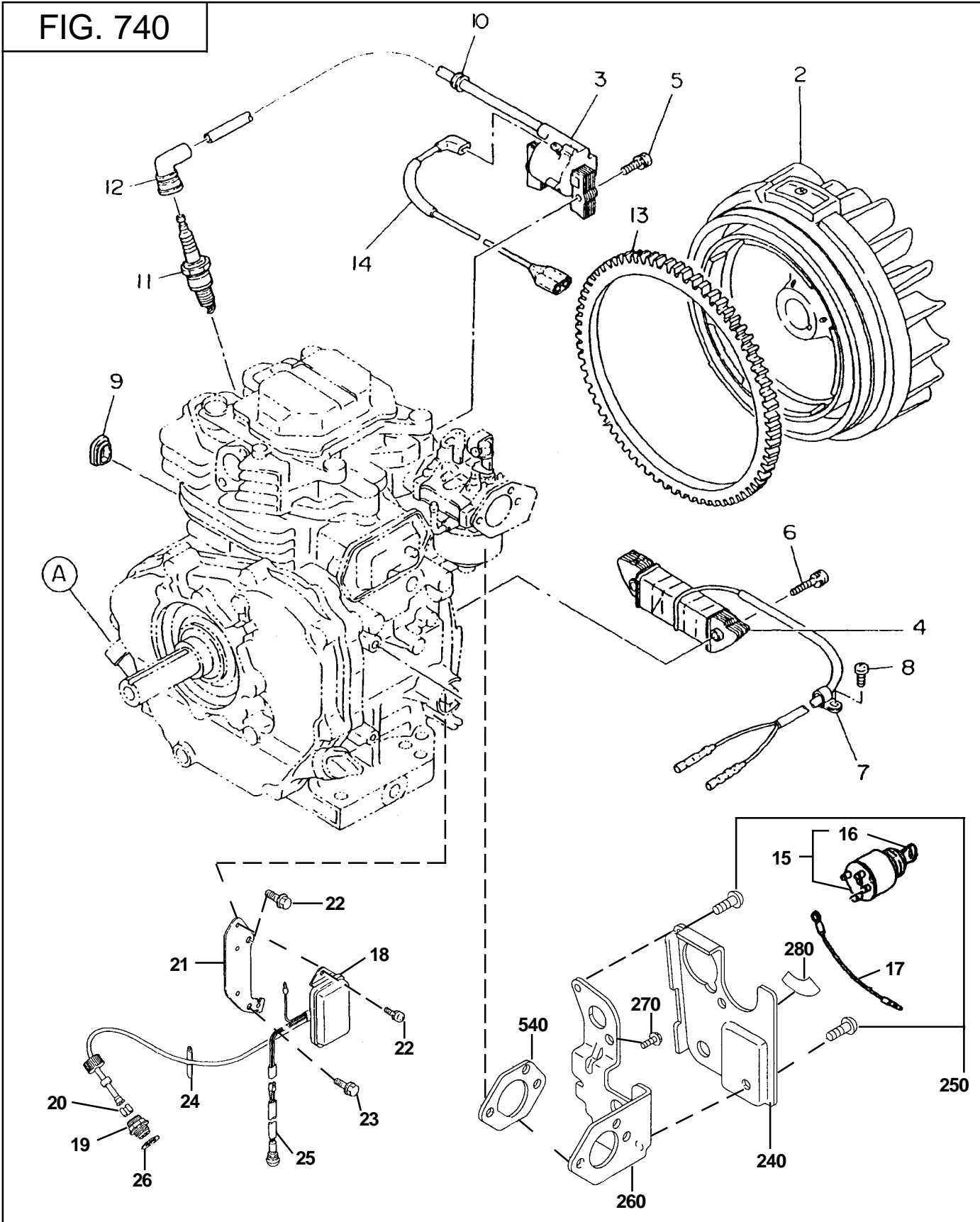
FIG. 730



SECTION 7D ELECTRIC DEVICE GROUP - ELECTRIC STARTER

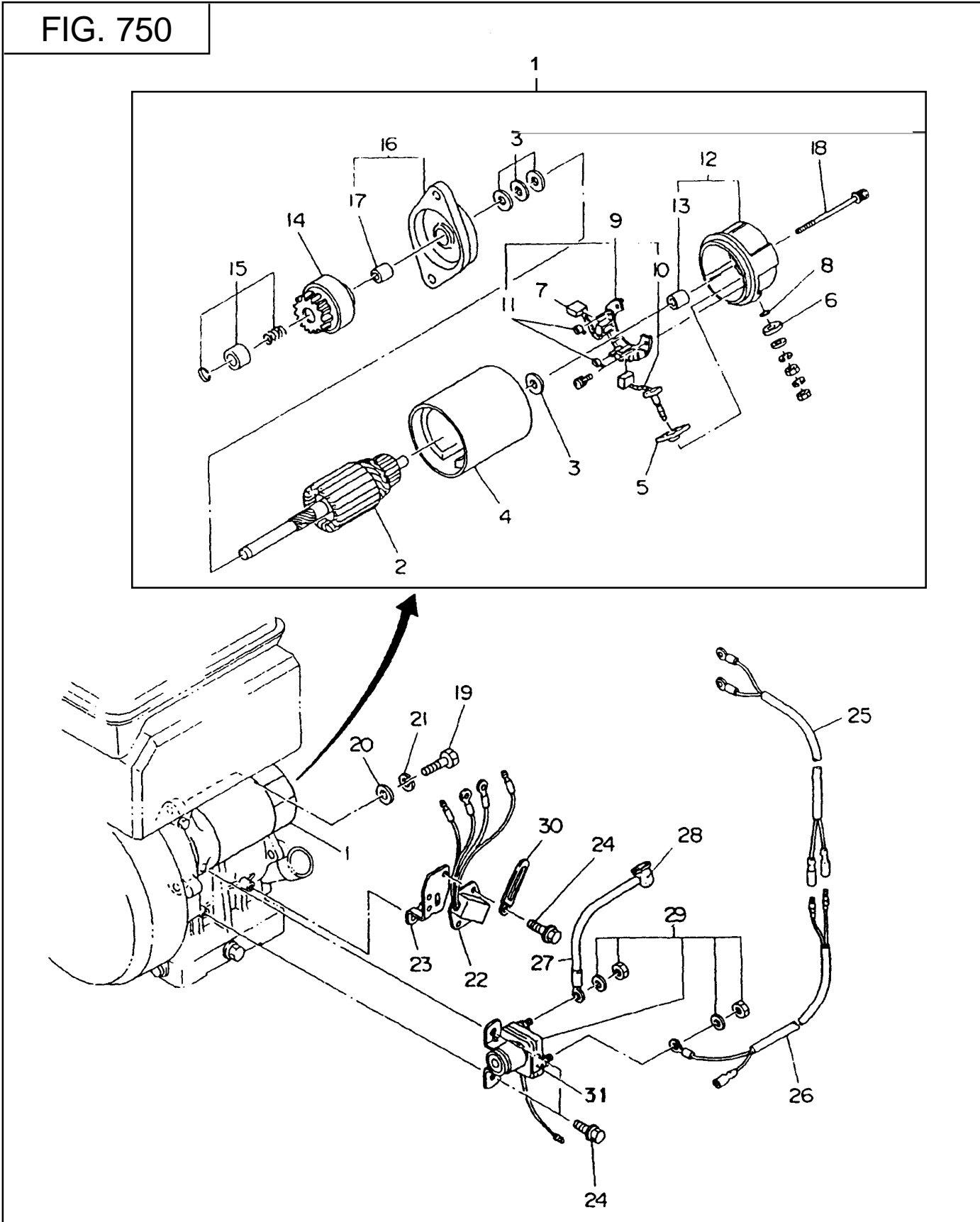
REF.	PART NO.	DESCRIPTION	QTY.	REMARKS	FROM-TO	FIG.
120	246-70501-00	STARTING MOTOR	1	Includes items -1 thru -52		730
-1	235-70560-08	YOKE, AY	1			730
-2	235-70535-08	BRUSH (+)	1			730
-3	235-70545-08	SPRING BRUSH	2			730
-4	235-70530-08	BRUSH HOLDER, AY	1			730
-6	235-70550-08	ARMATURE, AY	1			730
-7	246-70521-08	PINION, AY	1			730
-8	246-70571-08	STOPPER SET	1			730
-9	246-70500-08	FRONT COVER, AY	1			730
-10	235-70540-08	BRUSH (-)	1			730
-11	246-70505-08	REAR COVER, AY	1			730
-17	235-70575-08	THROUGH BOLT, AY	2			730
-23	235-70555-08	WASHER KIT	1			730
-40	235-70565-08	M BUSH (1)	1			730
-41	235-70566-08	M BUSH (2)	1			730
-43	214-70560-08	FRONT METAL	1			730
-52	246-70580-08	O RING	1			730
121	002-27060-00	NUT	1			730
122	003-20060-00	SPRING WASHER	1			730
130	214-79007-01	BOLT, starter	2			730
140	003-10080-00	WASHER	2			730
150	003-20080-00	SPRING WASHER	2			730
200	232-71401-01	DIODE RECTIFIER, compl.	1		From S/N 1029603	730
	246-71401-01	DIODE RECTIFIER, compl.	1		To S/N 1029602	730
210	246-76009-01	BRACKET, magnetic switch	1		From S/N 1029603	730
	246-76001-01	BRACKET, magnetic switch	1		To S/N 1029602	730
220	011-00600-10	FLANGE BOLT	2			730
250	004-35061-00	SCREW and WASHER AY	1			730
310	246-73104-01	WIRE 4, compl.	1			730
320	246-73105-21	WIRE 5, compl.	1			730
330	227-73102-01	WIRE 2, compl.	1			730
340	214-73101-11	WIRE 1, compl.	1			730
360	066-10000-10	MAGNETIC SWITCH	1		From S/N 1029603	730
	246-77301-00	MAGNETIC SWITCH	1		To S/N 1029602	730
370	056-60002-50	CLAMP	2			730
380	073-20044-80	LABEL, battery	1			730
390	214-78501-03	WIRE CASING	2			730
400	056-60002-60	CLAMP	2			730
460	003-20060-00	SPRING WASHER	2			730
470	002-27060-00	NUT	2			730
480	003-20050-00	SPRING WASHER	2			730
490	002-17050-00	NUT	2			730

FIG. 740



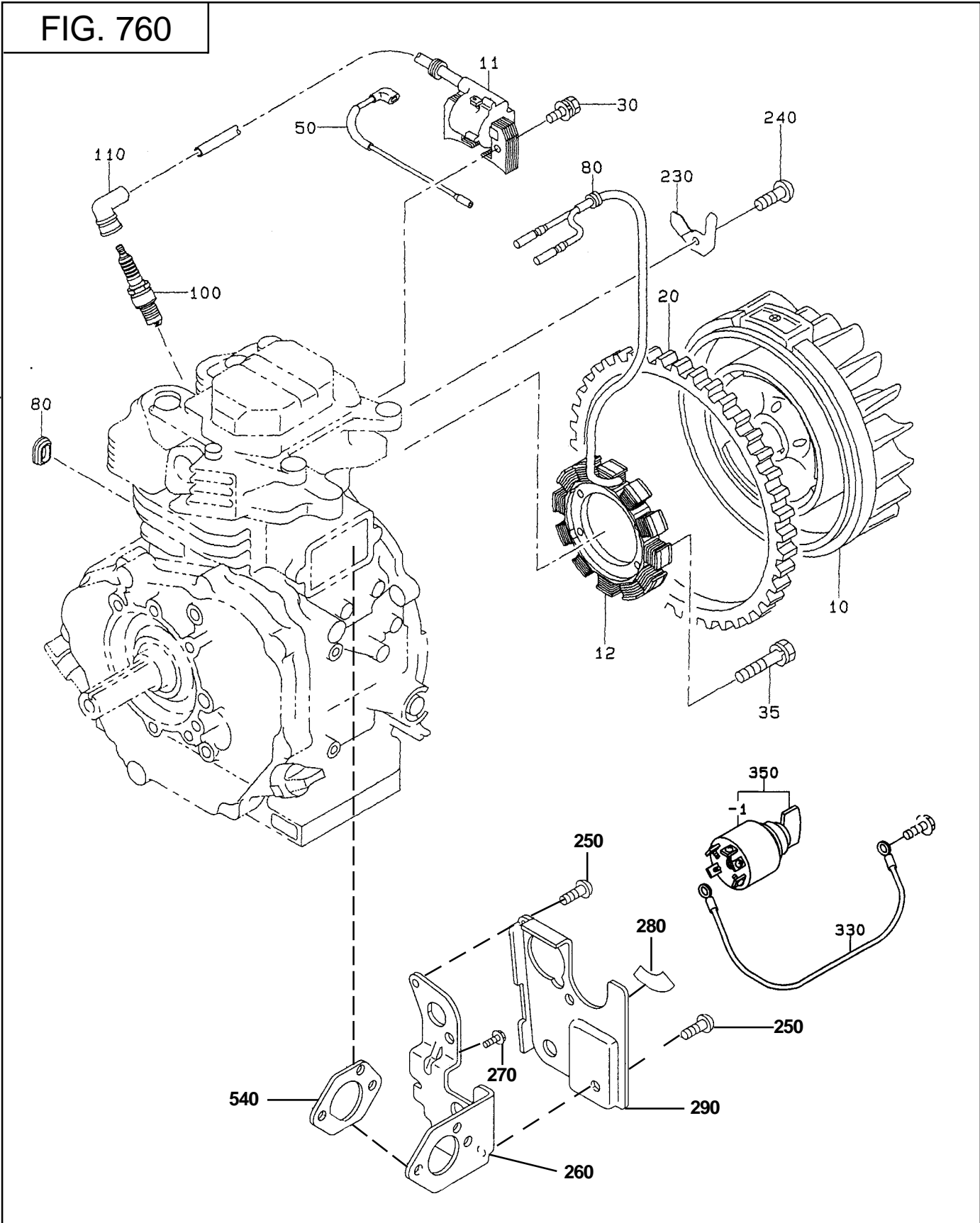
SECTION 7F ELECTRIC STARTER - WISCONSIN ROBIN

FIG. 750



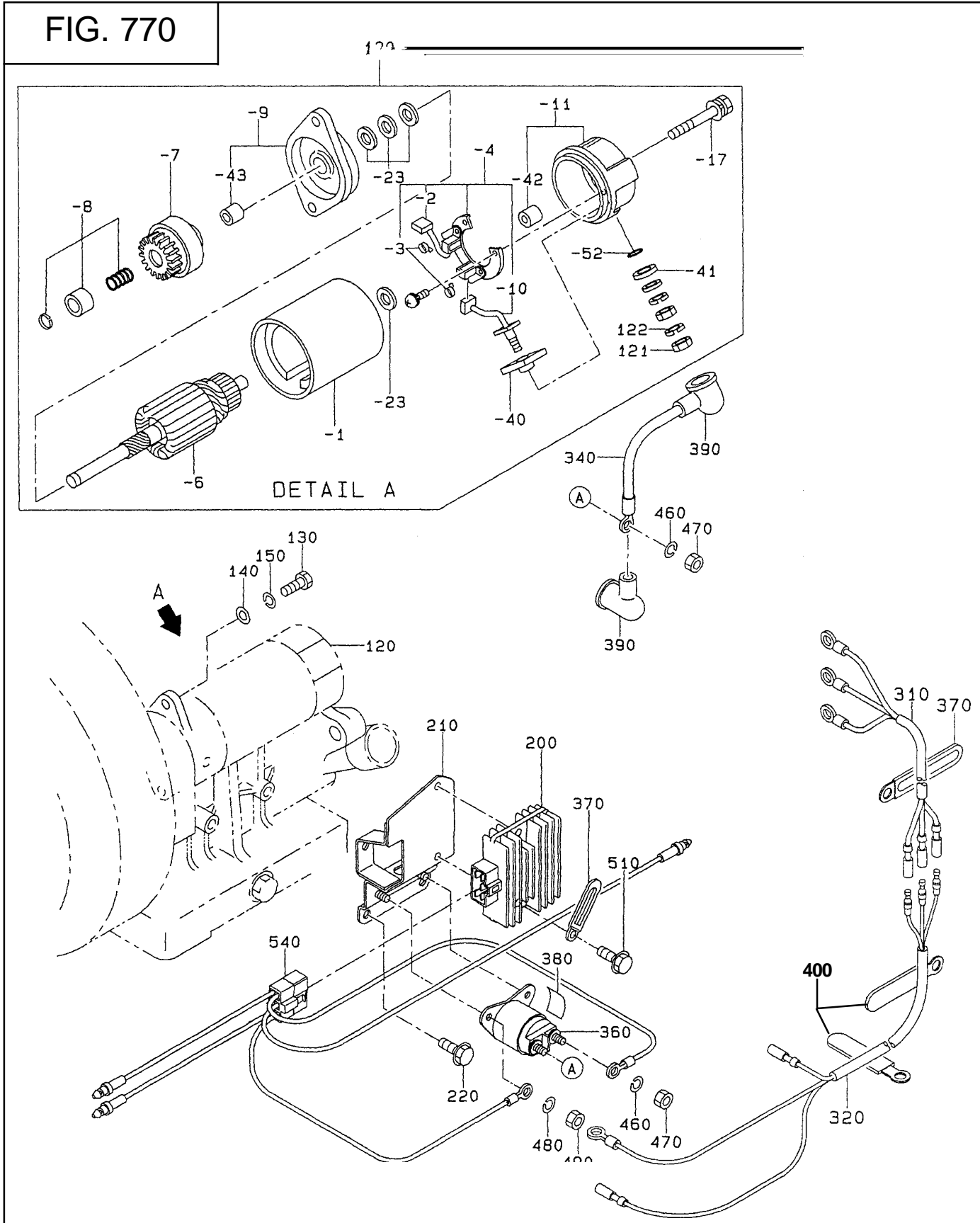
SECTION 7G ELECTRIC START - 150 WATT CHARGING

FIG. 760



SECTION 7H ELECTRIC STARTER - 150 WATT CHARGING

FIG. 770



SECTION 7H ELECTRIC STARTER - 150 WATT CHARGING

REF.	PART NO.	DESCRIPTION	QTY.	REMARKS	FROM-TO	FIG.
120	246-70501-00	STARTING MOTOR	1	Includes items -1 thru -52		770
-1	235-70560-08	YOKE	1			770
-2	235-70535-08	BRUSH (+)	1			770
-3	235-70545-08	SPRING BRUSH	2			770
-4	235-70530-08	BRUSH HOLDER AY	1			770
-6	235-70550-08	ARMATURE	1			770
-7	246-70521-08	PINION SET	1			770
-8	246-70571-08	STOPPER SET, pinion	1			770
-9	246-70500-08	FRONT COVER AY	1			770
-10	235-70540-08	BRUSH (-)	1			770
-11	246-70505-08	REAR COVER AY	1			770
-17	235-70575-08	THROUGH BOLT	2			770
-23	235-70555-08	WASHER KIT	1			770
-40	235-70565-08	M BUSH (1)	1			770
-41	235-70566-08	M BUSH (2)	1			770
-42	113-70510-08	CASE METAL	1			770
-43	214-70560-08	FRONT METAL	1			770
-52	246-70580-08	O RING	1			770
121	002-27060-00	NUT	1			770
122	003-20060-00	SPRING WASHER	1			770
130	214-79007-01	BOLT, starter	2			770
140	003-10080-00	WASHER	2			770
150	003-20080-00	SPRING WASHER	2			770
200	246-71901-01	REGULATOR	1			770
210	246-76004-21	BRACKET, regulator	1			770
220	011-00600-10	FLANGE BOLT	3			770
310	246-73104-01	WIRE 4, compl.	1			770
320	246-73105-21	WIRE 5, compl.	1			770
340	214-73101-11	WIRE 1, compl.	1			770
360	066-10000-10	MAGNETIC SWITCH	1			770
370	056-60002-50	CLAMP	2			770
380	073-20044-80	LABEL, battery	1			770
390	214-78501-03	WIRE CASING	2			770
400	056-60002-60	CLAMP	2			770
460	003-20060-00	SPRING WASHER	2			770
470	002-27060-00	NUT	2			770
480	003-20050-00	SPRING WASHER	2			770
490	002-17050-00	NUT	2			770
510	011-00601-40	FLANGE BOLT	2			770
540	246-73106-21	WIRE 6, compl.	1			770

SECTION 7 OIL SENSOR

FIG. 780

OPPOSITE CARBURETOR SIDE

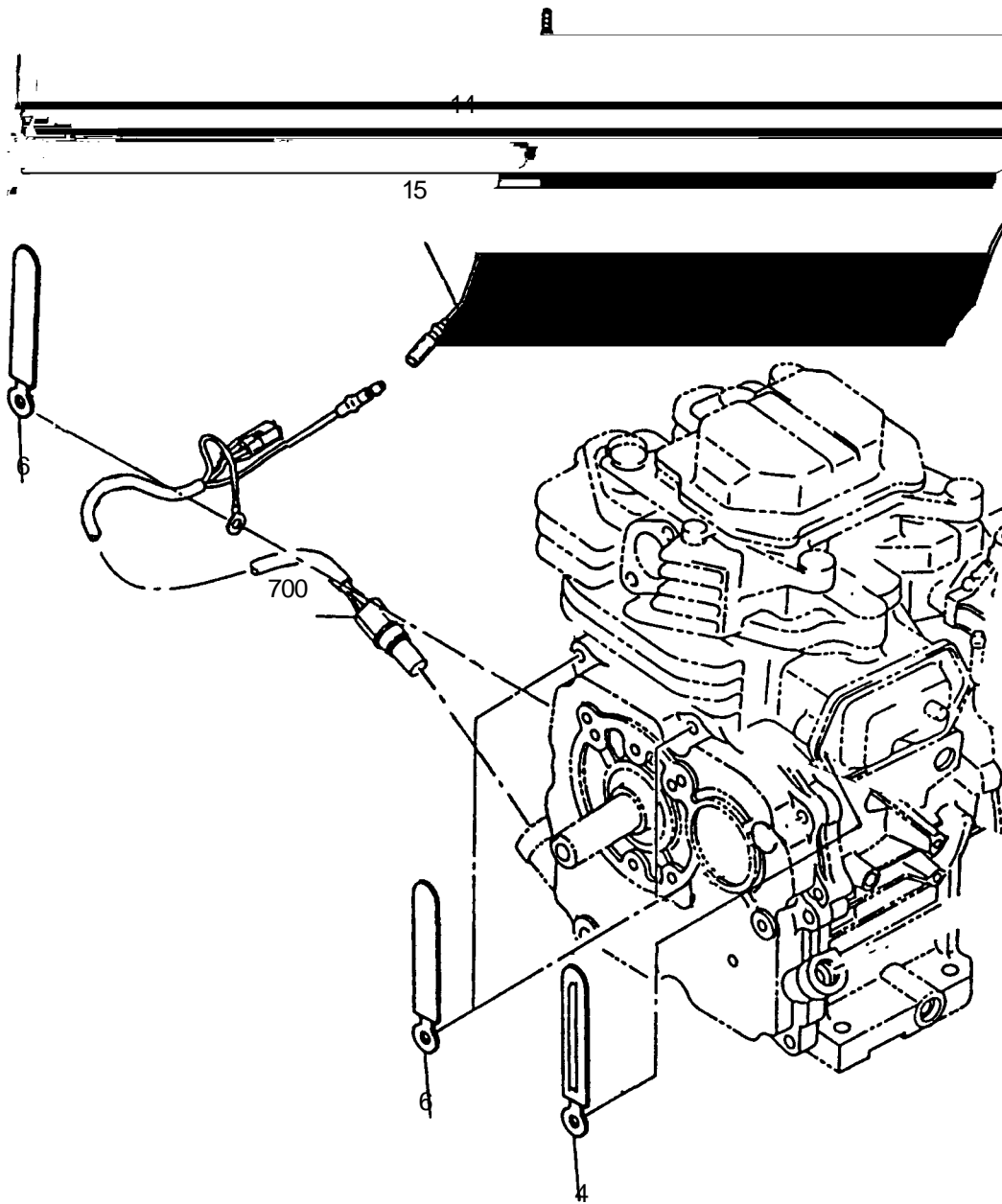
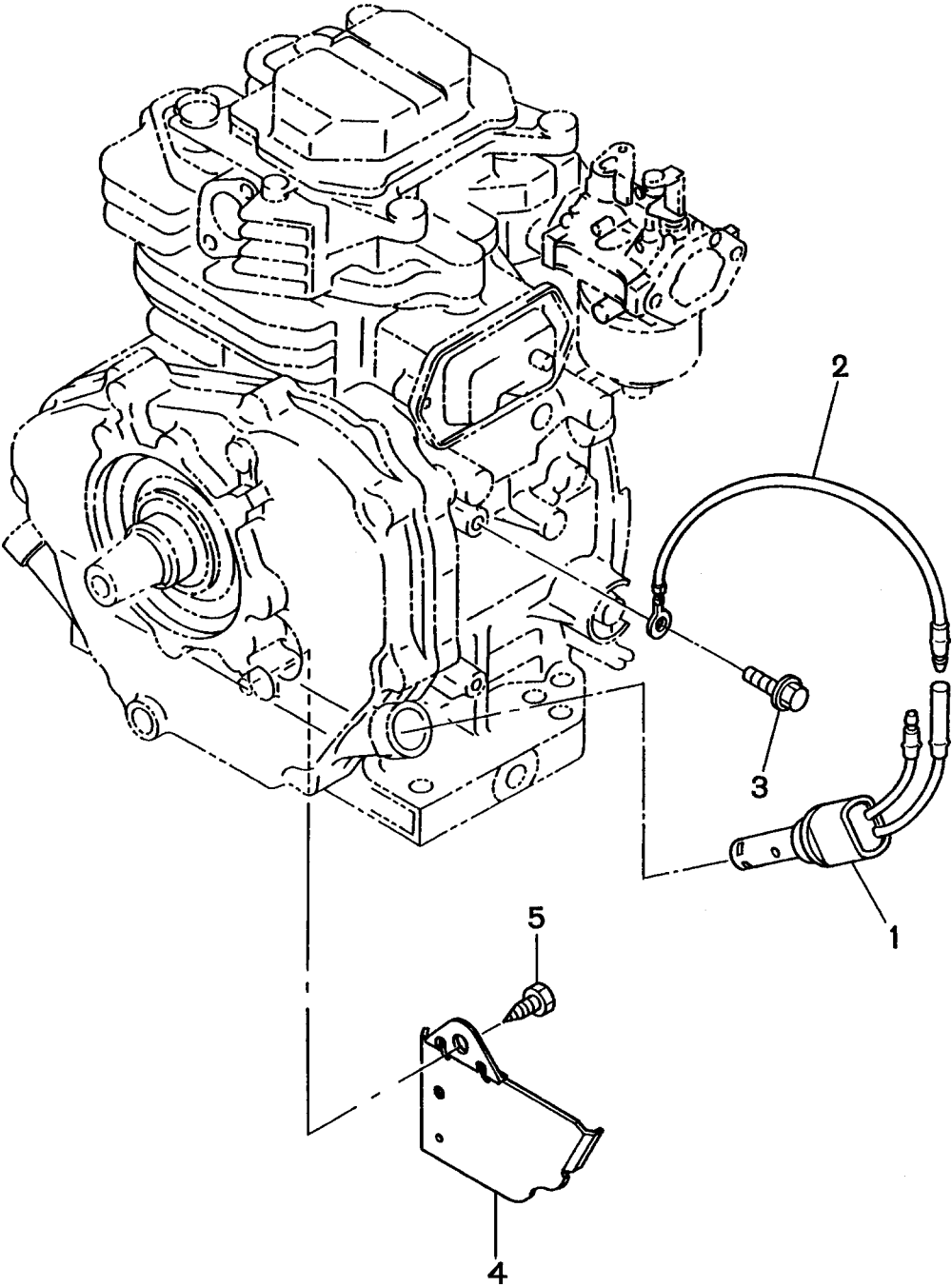


FIG. 790

CARBURETOR SIDE



PRINTED IN THE USA