

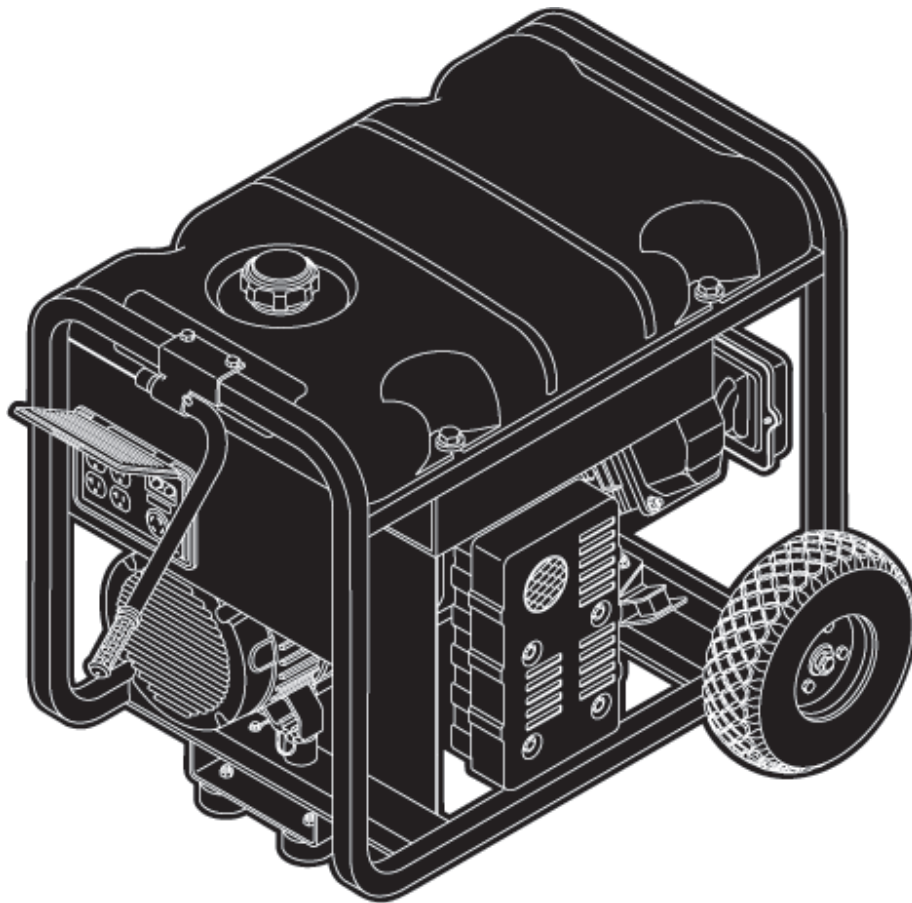
# SNAPPER™

**5600 Watt  
Generator**

by

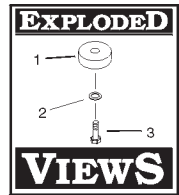


## Illustrated Parts List

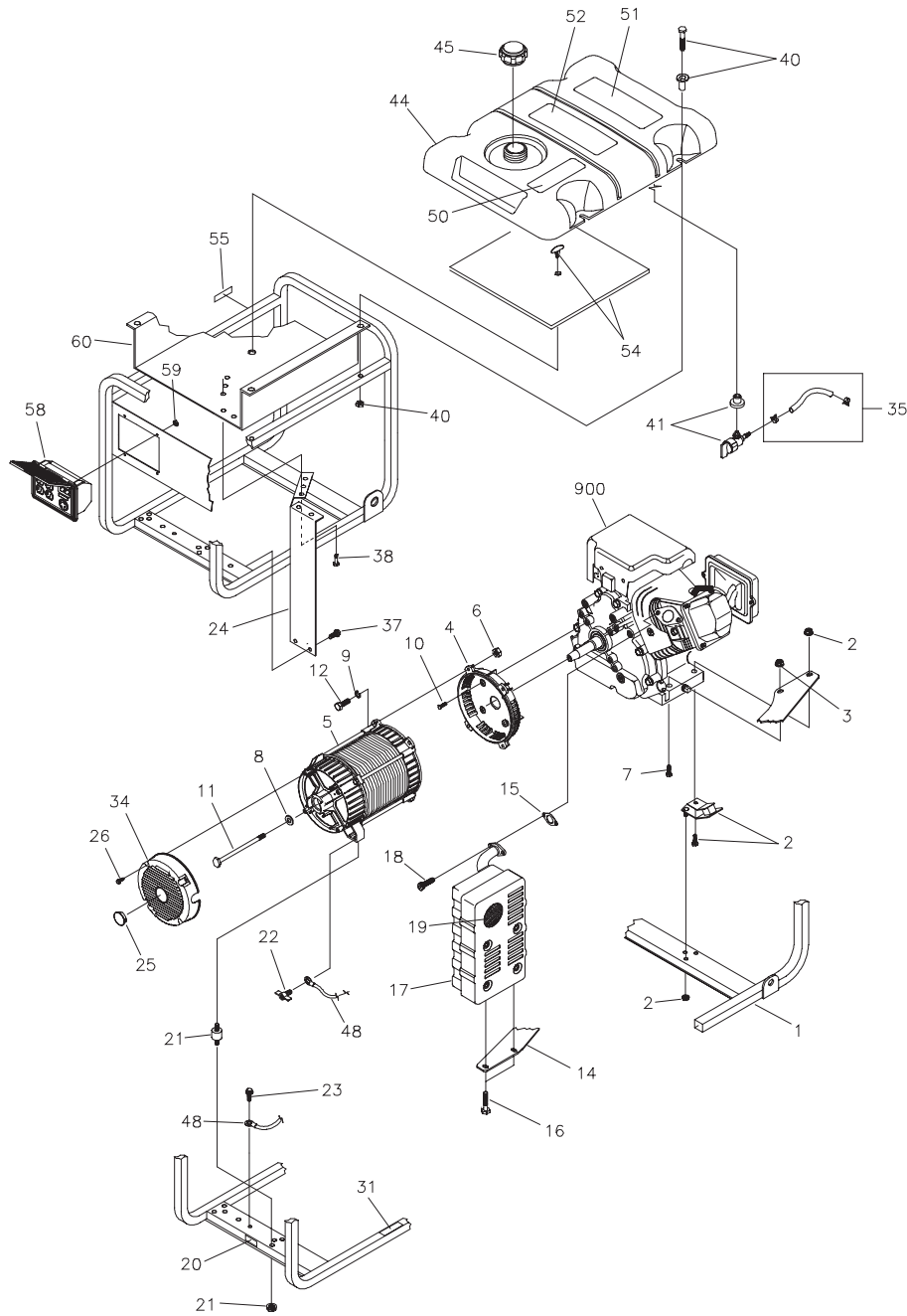


Snapper™ is a licensed trademark of Briggs & Stratton Power Products.

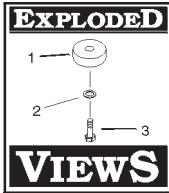
**BRIGGS & STRATTON POWER PRODUCTS GROUP, LLC  
JEFFERSON, WISCONSIN, U.S.A.**



**EXPLODED VIEW - MAIN UNIT**



Copyright © 2005 Briggs & Stratton Power Products Group, LLC. All rights reserved. No part of this material may be reproduced or transmitted in any form by any means without the express written permission of Briggs & Stratton Power Products Group, LLC.



## EXPLODED VIEW - PARTS LIST

Item	Part #	Description	Item	Part #	Description
1	M197544GS	CRADLE	40	195477GS	KIT, Fuel Tank Hardware
2	194150GS	KIT,Vibration Mount 45°	41	192980GS	KIT,Valve,Tank
3	67989GS	NUT,M8 Flange Serrated	44	194217GS	ASSY,Tank, Fuel (Includes Items 41, 50, 51 & 52)
4	190220GS	HOUSING, Engine Adapter	45	90878GS	CAP, Fuel
5	NSP	ASSY,Alternator (see page 4)	48	195373GS	WIRE, Ground
6	*	NUT, Hex M8 - 1.25	50	188333GS	DECAL, Gas Fill
7	*	TPHMS, M8 - 1.25 x 35	51	194799GS	DECAL, Danger
8	96796GS	WASHER, M8 Flat	52	189235GS	DECAL, Start Instructions
9	*	WASHER, M8 Lock	54	194448GS	KIT, Insulation w/ Clip
10	190274BGS	SBHCS, 3/8-16 x 1.0 Lg.	55	197798GS	DECAL, Fuel Shut-off
11	47480GS	HHCS, 5/16-24 x 7	58	190355GS	ASSY, Control Panel (see page 5)
12	*	HHCS, M8 - 1.25 x 25	59	*	NUT, Palnut, 3/16"
14	189009GS	BRACKET, Muffler	60	194389GS	SHIELD, Heat
15	695398	GASKET, Exhaust	900	§	ENGINE
16	*	HHCS, M6 - 1.0 x 12			
17	189008GS	MUFFLER			
18	60706GS	SCREW, 5/16 - 18 x 3/4"			
19	83083GS	SCREEN, Spark Arrest			
20	B4986GS	DECAL, Ground, Green			
21	194153GS	KIT,Vibration Mount			
22	86494GS	SCREW,Wing M6 1.0 x 16			
23	86292GS	SCREW, 10-16 x 3/4 Self Drill			
24	194390GS	SHIELD, Heat			
25	191190GS	CAP			
26	74908GS	SCREW, M5-0.8 x 10, Taptite			
31	196830GS	DECAL, Hot Muffler			
34	195422GS	COVER, Bearing Carrier with Cap			
35	194265GS	KIT, Fuel Hose w/ Clamps			
37	B2153GS	SCREW, 12-14 x 7/8 Self Drilling			
38	56893GS	SCREW, 10-24 x 1/2 Crimptite			

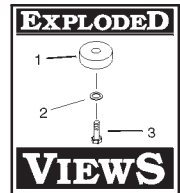
  

Parts Not Illustrated	
BB3061GS	BOTTLE, Oil
197646GS	MANUAL, Operator's
MS5242	MANUAL, Engine
195706GS	KIT, Decals
197267GS	DECAL, Ratings Label

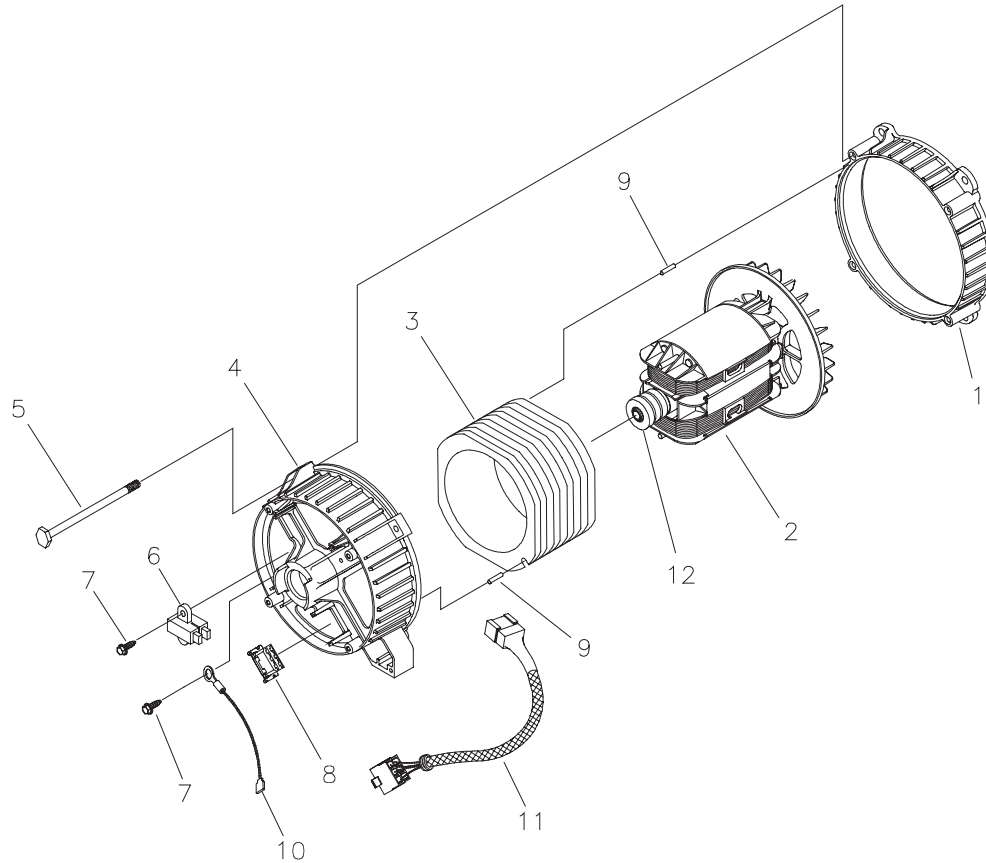
  

Optional Accessories	
100031	STABILIZER, Fuel

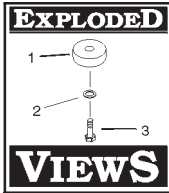
\* - Items without part numbers are common fasteners and are available at local hardware stores.  
 § - Contact engine manufacturer.



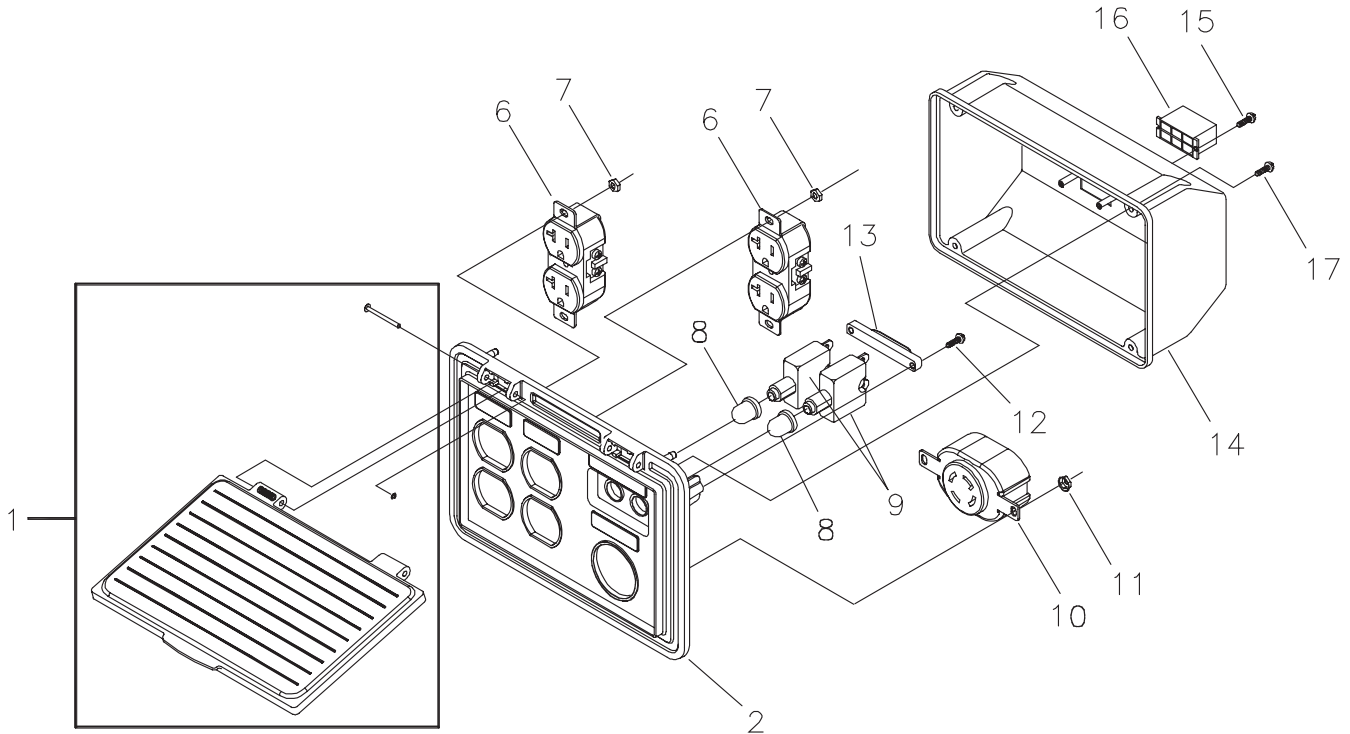
## EXPLODED VIEW AND PARTS LIST - ALTERNATOR



Item	Part #	Description
1	186059GS	ADAPTER, Mounting, Alternator
2	191043GS	ROTOR
3	191042AGS	STATOR
4	186060GS	RBC, with O-Ring (p/n 189197GS)
5	86308CGS	HHCS, M6 - 1.0 x 130 SEMS
6	91825GS	ASSY, Holder, Rectifier/Brush
7	66849GS	TAPTITE, M5 - 0.8 x 16
8	22694GS	RECEPTACLE, 6 pin
9	81917GS	PIN, Roll, 4mm x 10
10	193428AGS	ASSY, Wire, Ground
11	194274GS	HARNESS, Wire, Power
12	65791GS	BEARING

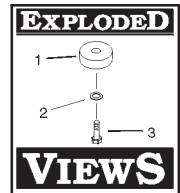


## EXPLODED VIEW AND PARTS LIST - CONTROL PANEL

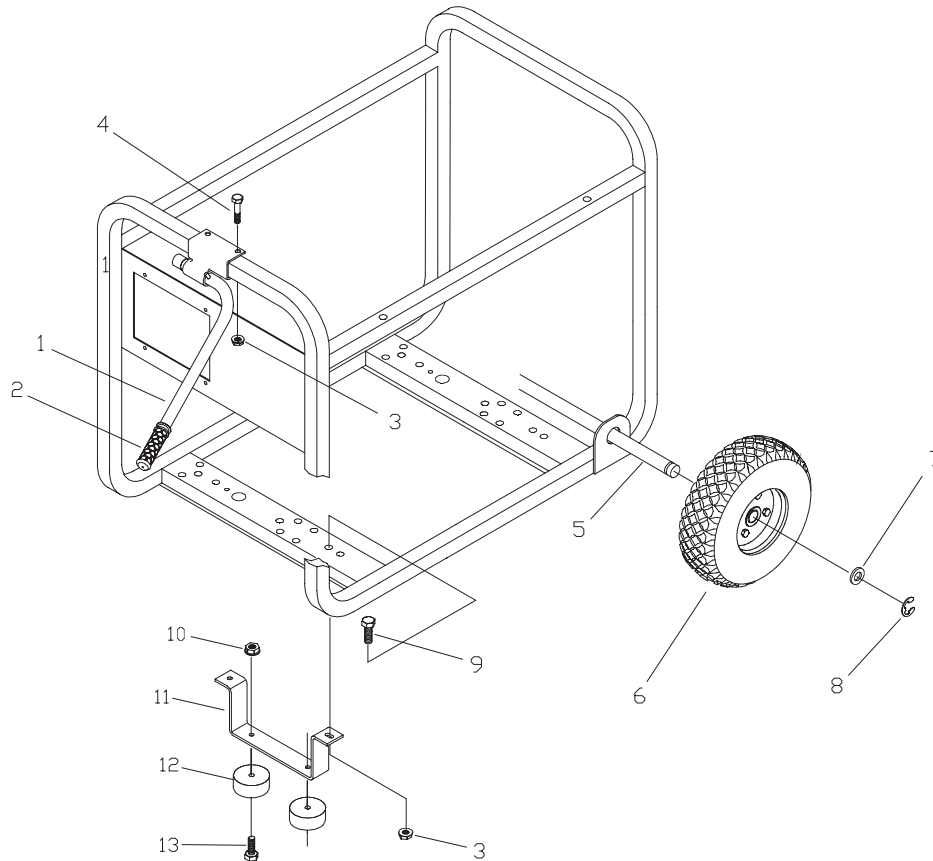


Item	Part #	Description
1	195112GS	KIT, Control Panel Lid
2	188889GS	CONTROL PANEL, Compact
6	68759GS	OUTLET, 120V, 20A, Duplex
7	*	NUT, Palnut, Pushnut, 5/32
8	84198GS	CAP, Breaker, Circuit
9	75207GS	BREAKER, Circuit
10	43437GS	OUTLET, 120/240V Locking, 30A
11	*	NUT, Palnut, Pushnut, 3/16
12	*	SCREW, Phillips, Head 3.5 x 18
13	93857GS	BAR, Retaining
14	188890GS	COVER, Back, Control Panel
15	*	SCREW, Self Tapping, STC 3 x 18
16	22694GS	HOUSING, Receptacle
17	*	SCREW, Phillips, 3.5 x 14

\* - Items without part numbers are common fasteners and are available at your local hardware store.



## EXPLODED VIEW AND PARTS LIST - WHEEL KIT

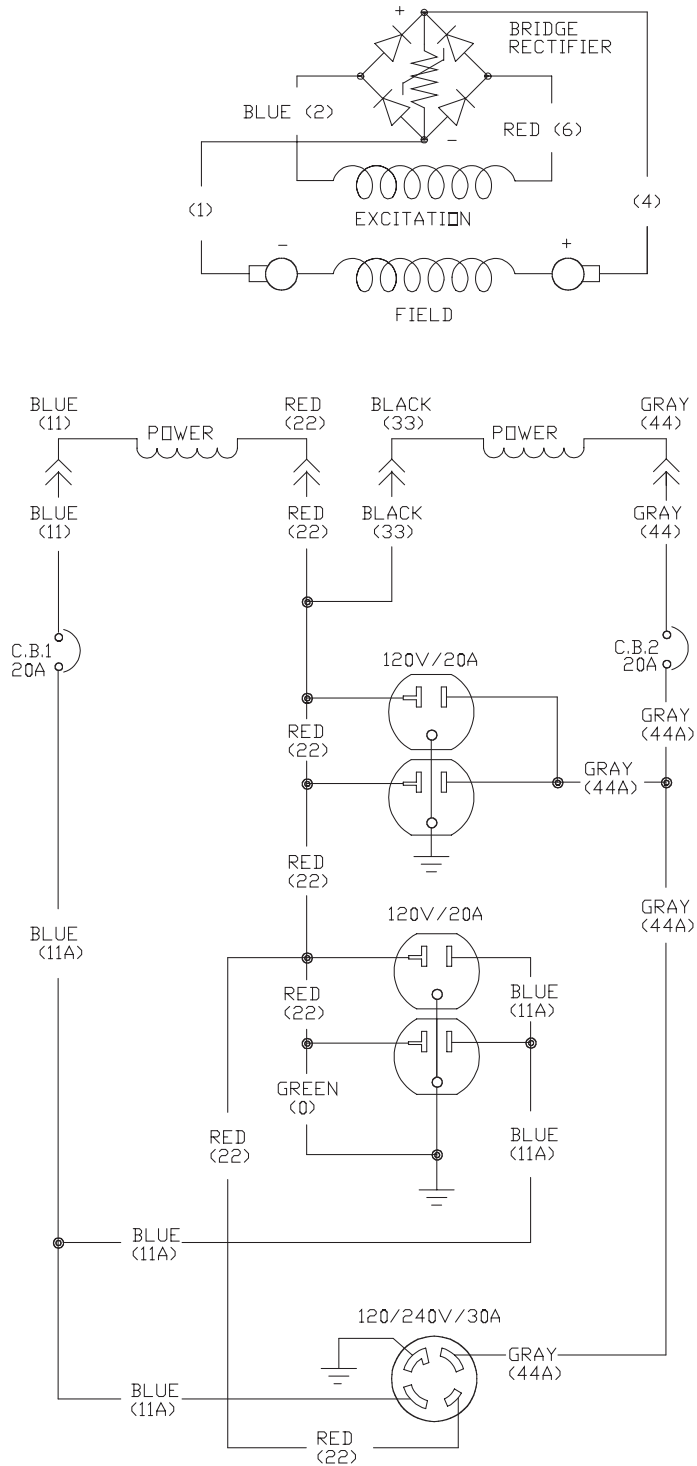


Item	Part #	Description
1	189715GS	ASSY, Handle (Includes Item 2)
2	189718GS	GRIP, Handle
3	52858GS	NUT, Locking Hex M8 - 1.25
4	*	HHCS, M8 - 1.25 x 45
5	191267GGS	AXLE, 5/8" x 23.62"
6	B4966GS	WHEEL
7	*	WASHER, Flat, 5/8"
8	191265GS	E-RING
9	*	HHCS, M8 - 1.25 x 20
10	192432GS	NUT, 1/4 - 20 Serrated Lock
11	B187101GS	LEG, Mounting
12	191413GS	VIBE MOUNT, with Washer
13	*	HHCS, 1/4 - 20 x 1.00 Lg.

\* - Items without part numbers are common fasteners and are available at your local hardware store.

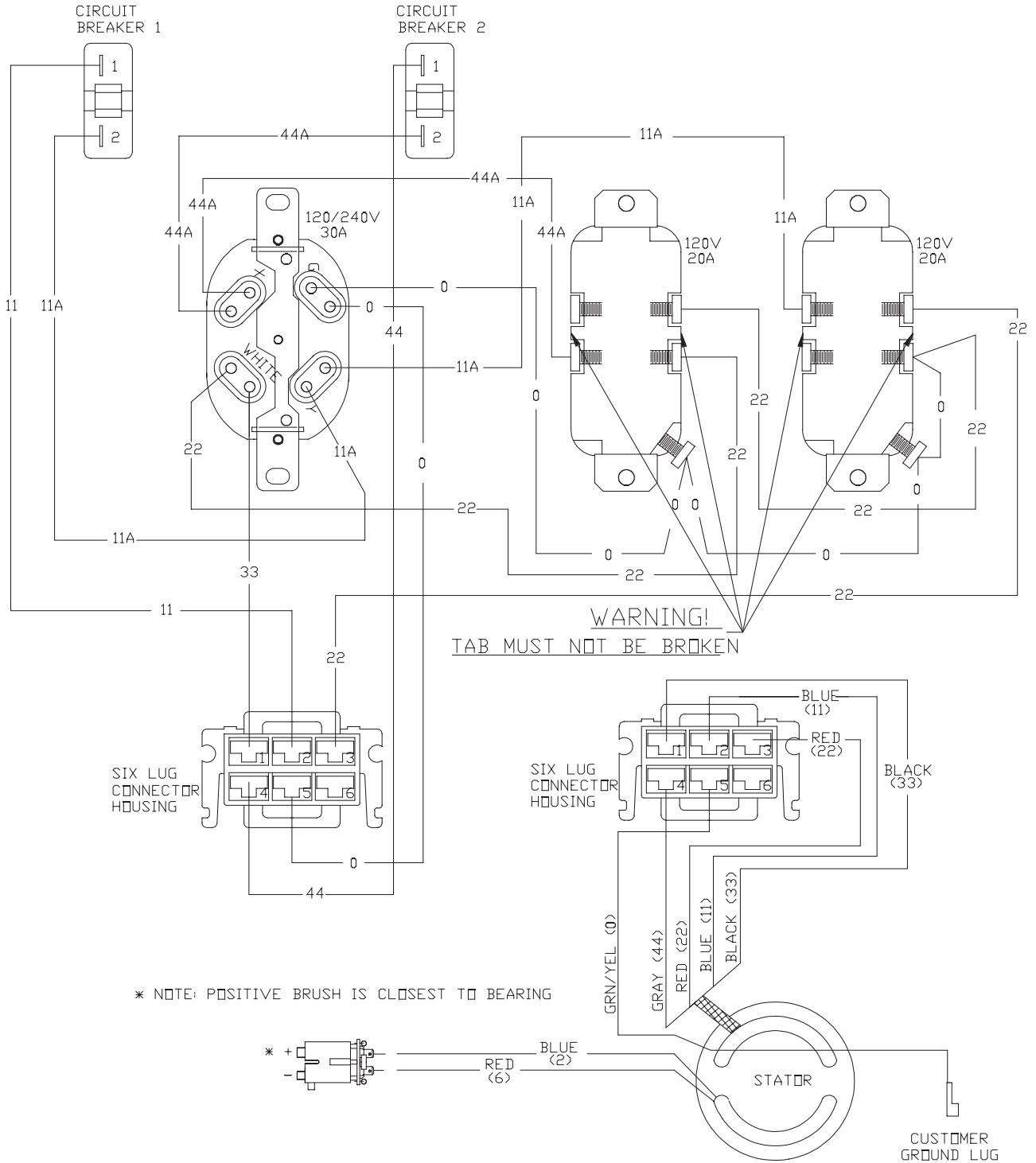
# 5600 Watt Portable Generator

## SCHEMATIC



# 5600 Watt Portable Generator


## WIRING DIAGRAM





# Wiring Diagram & Schematic


## SAFETY WARNINGS

### Safety Alert Symbols

The safety alert symbol () is used to identify hazards that can result in personal injury. A signal word (**DANGER, WARNING or CAUTION**) is used with the alert symbol to indicate the potential severity of injury. In addition, a hazard symbol may be used to represent the type of hazard.





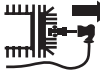
 **DANGER:** Indicates a hazard which, if not avoided **will result in death or serious injury.**

 **WARNING:** Indicated a hazard which, if not avoided **could result in death or serious injury.**


 **CAUTION:** Indicates a hazard which, if not avoided **might result in death or serious injury.**


**CAUTION:** When used without the alert symbol, indicates a situation that could result in damage to equipment or components.

**HAZARD SYMBOLS AND MEANINGS**

 **Explosion**
 **Fire**
 **Shock**
 **Entanglement**
 **Disconnect Spark Plug**

WD-SCH-01

 **DANGER**




Generators produce powerful voltages. Failure to isolate generator from power utility can result in death or injury to electric utility workers due to backfeed of electrical energy.


- When testing generators used for backup power, notify utility company.

WD-SCH-05

**CAUTION:** The measuring equipment used in troubleshooting this equipment should be of industrial quality and should have the sensitivity to measure electronic values to the third decimal. Its accuracy should conform with acceptable industry tolerances. Ensure that all specified tools and/or equipment are available before attempting to troubleshoot.

WD-SCH-03


 **DANGER**




Physical contact with energized electrical components will result in dangerous and possibly fatal electrical shock.

- Do not touch bare wires or receptacles.

WD-SCH-04


 **CAUTION**





These wiring diagrams and schematics are intended for use by trained and qualified electrical service technicians who are working in a properly equipped service environment. Familiarity with the proper method of using tools, measuring equipment and service procedures is essential to performing successful troubleshooting and repair of this equipment.

- Only qualified electrical technicians should attempt to service this equipment.

WD-SCH-02

 **WARNING**

Accidental starting of the unit may cause entanglement or electrocution.

- Where applicable, disconnect the negative (-) battery terminal.
- Disconnect the spark plug wire.
- Remove the control panel fuse when available.

WD-SCH-07