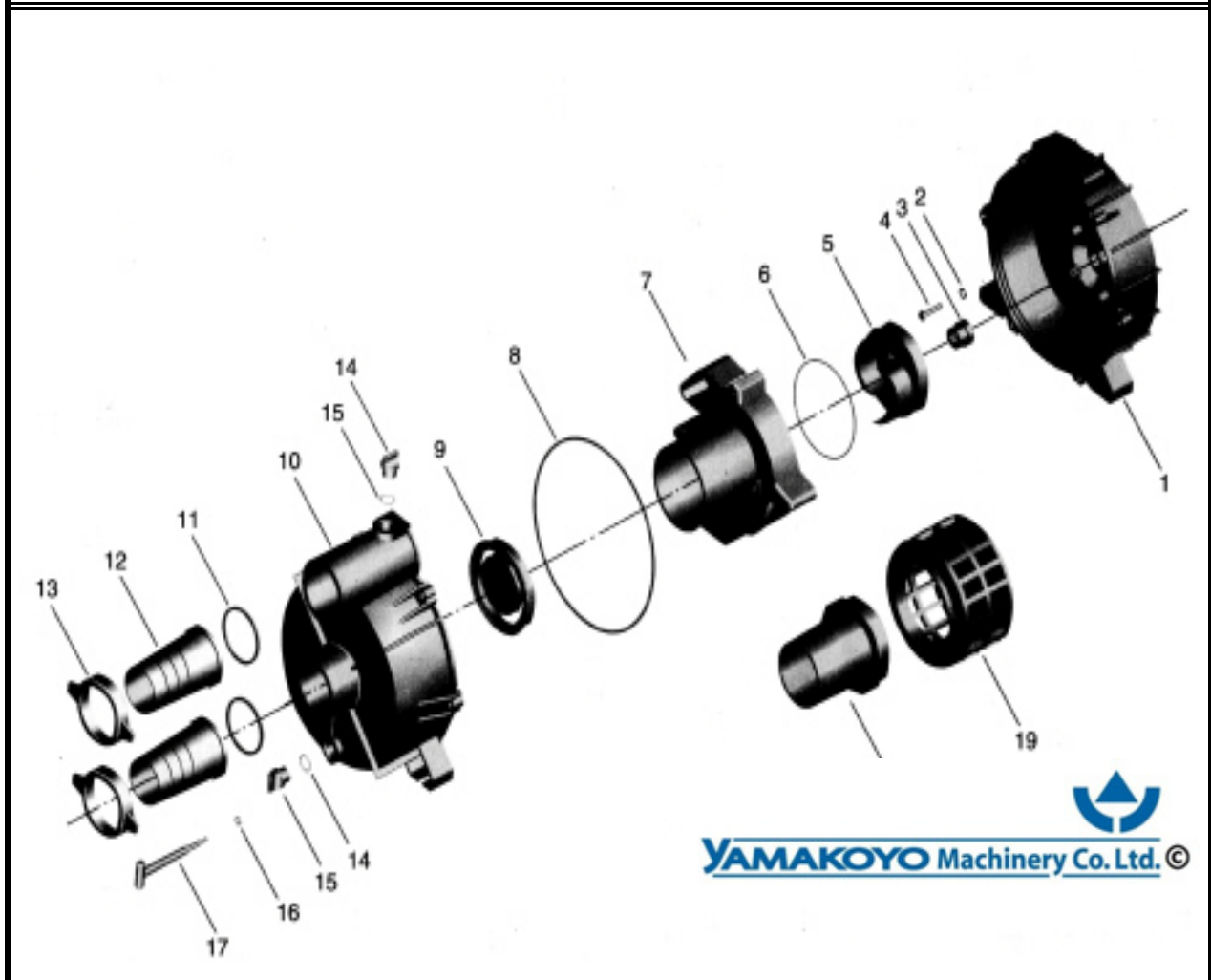


## GTP 50 - 2" TRASH PUMP



### GTP 50 (2" Trash Pump)

No.	P/N	Description	Qty	No.	P/N	Description	Qty
1	61-101	Pump inner housing	1	11	61-111	Intake/Discharge Seal	2
2	61-102	Washer	4	12	61-112	Intake/Discharge Fitting	2
3	61-103	Mechanical Seal	1	13	61-113	Joint	2
4	61-104	Bolt	4	14	61-114	Seal, Drain Plug	2
5	61-105	Impeller	1	15	61-115	Drain Plug	2
6	61-106	Inner O-ring	1	16	61-116	O-ring	5
7	61-107	Spiral case	1	17	61-117	Outer Bolt	5
8	61-108	Outer Body O-ring	1	18	61-118	Strainer 1	1
9	61-109	Check Valve	1	19	61-119	Strainer 2	1
10	61-110	Pump outer housing	1	20	61-120	Frame	2

**Technical Support:**

**1-866-852-6872**

©Yamakoyo Machinery Co., Ltd.

[www.kbnusa.com](http://www.kbnusa.com) Yamakoyo\_Pump\_GTP-50\_IPL\_Rev\_02-09